

PLEASE CHECK WWW.MOLEX.COM FOR LATEST PART INFORMATION

Part Number: [0444783112](#)
Status: **Active**
Overview: [minifit_plus_hcs](#)
Description: Mini-Fit HCS™ Crimp Terminal, 16 AWG, Bag, Copper (Cu) Alloy, Tin (Sn)

Documents:

[Drawing \(PDF\)](#) [RoHS Certificate of Compliance \(PDF\)](#)
[Product Specification PS-44476-001 \(PDF\)](#)

General

| | |
|-------------------------|----------------------------------|
| Product Family | Crimp Terminals |
| Series | 44478 |
| Comments | High Current |
| Crimp Quality Equipment | Yes |
| Overview | minifit_plus_hcs |
| Product Name | Mini-Fit HCS™ |

Physical

| | |
|--------------------------------|------------------------------|
| Gender | Male |
| Material - Metal | High Performance Alloy (HPA) |
| Material - Plating Mating | Tin |
| Material - Plating Termination | Tin |
| Packaging Type | Bag |
| Plating min: Mating (µin) | 101.6 |
| Plating min: Mating (µm) | 2.54 |
| Plating min: Termination (µin) | 101.6 |
| Plating min: Termination (µm) | 2.54 |
| Termination Interface: Style | Crimp or Compression |
| Wire Insulation Diameter | 1.80-3.10mm (.071-.122") |
| Wire Size AWG | 16 |
| Wire Size mm² | N/A |

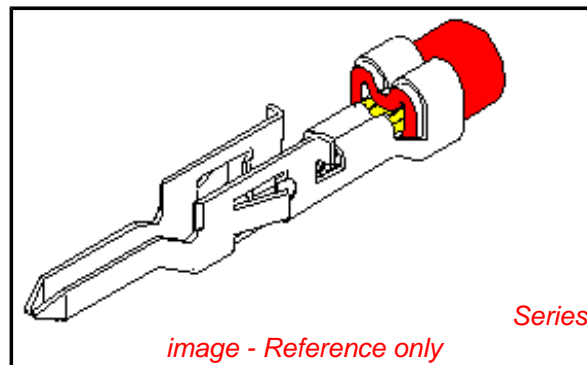
Electrical

| | |
|-------------------------------|-----|
| Current - Maximum per Contact | 11A |
|-------------------------------|-----|

Material Info

Reference - Drawing Numbers

| | |
|-------------------------|-----------------------------|
| Packaging Specification | PK-5556-003 |
| Product Specification | PS-44476-001, RPS-44476-001 |
| Sales Drawing | SD-44478-**** |



EU RoHS

**ELV and RoHS
Compliant**
**REACH SVHC
Contains SVHC: No**
**Halogen-Free
Status**

China RoHS



**Need more information on product
environmental compliance?**

Email productcompliance@molex.com
 For a multiple part number RoHS Certificate of Compliance, [click here](#)

Please visit the [Contact Us](#) section for any non-product compliance questions.

Search Parts in this Series

[44478Series](#)

Application Tooling | FAQ

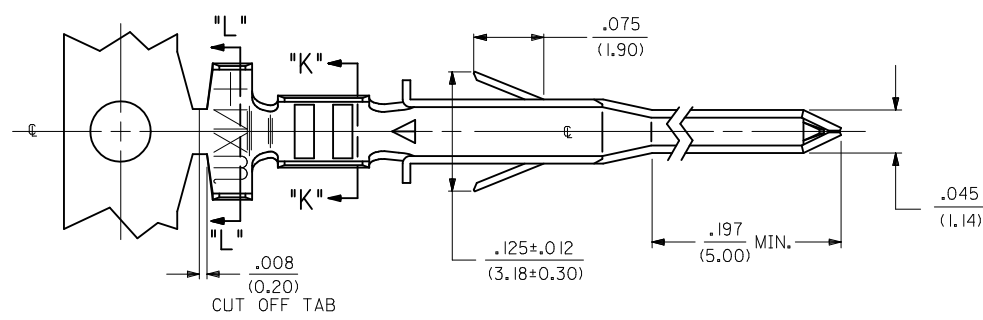
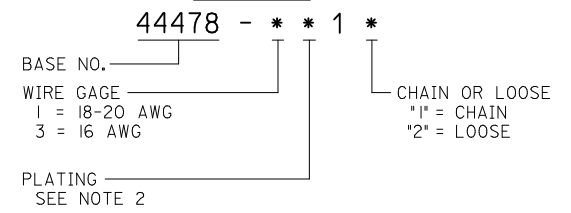
Tooling specifications and manuals are found by selecting the products below. Crimp Height Specifications are then contained in the Application Tooling Specification document.

Global

| Description | Product # |
|--|----------------------------|
| Hand Crimp Tool for Mini-Fit™ Jr. Male and Female Crimp Terminals, 16-24 AWG | 0638190900 |
| Extraction Tool | 0011030044 |

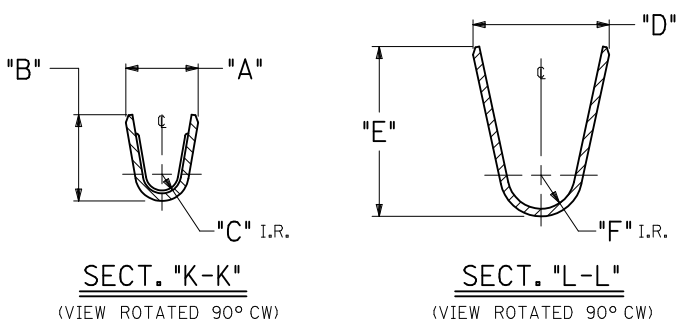
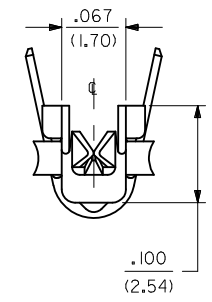
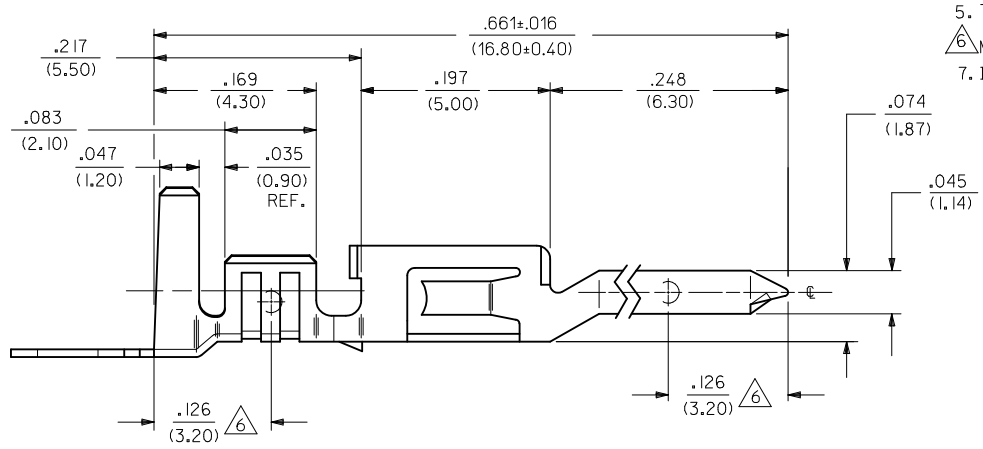
| ITEM NO. | FORM | WIRE GAGE | RANGE OF INSULATION DIA. | DIM. "A" | DIM. "B" | DIM. "C" | DIM. "D" | DIM. "E" | DIM. "F" |
|------------|-------|-----------|--------------------------|------------|------------|----------|------------|------------|----------|
| 44478-1111 | CHAIN | 18-20 GA. | .051-.122 | .075±.012 | .091±.016 | .020 | .142±.012 | .177±.016 | .035 |
| 44478-1112 | LOOSE | | (1.30-3.10) | (1.90±.30) | (2.30±.40) | (.50) | (3.60±.30) | (4.50±.40) | (.90) |
| 44478-3111 | CHAIN | 16 GA. | .122 | .091±.012 | .106±.016 | .024 | .142±.012 | .177±.016 | .035 |
| 44478-3112 | LOOSE | | (3.10) MAX. | (2.30±.30) | (2.70±.40) | (.60) | (3.60±.30) | (4.50±.40) | (.90) |
| 44478-1211 | CHAIN | 18-20 GA. | .051-.122 | .075±.012 | .091±.016 | .020 | .142±.012 | .177±.016 | .035 |
| 44478-1212 | LOOSE | | (1.30-3.10) | (1.90±.30) | (2.30±.40) | (.50) | (3.60±.30) | (4.50±.40) | (.90) |
| 44478-3211 | CHAIN | 16 GA. | .122 | .091±.012 | .106±.016 | .024 | .142±.012 | .177±.016 | .035 |
| 44478-3212 | LOOSE | | (3.10) MAX. | (2.30±.30) | (2.70±.40) | (.60) | (3.60±.30) | (4.50±.40) | (.90) |

LEGEND:



NOTES:

- MATERIAL:
COPPER ALLOY, .008/(0.20) THICK.
- FINISH:
*1= PLATING: POSTPLATE .000100/(.00254) MIN. BRIGHT TIN OVER .000030/(.00076) MIN. NICKEL OVERALL.
*2= PLATING: POSTPLATE .000030/(.000076) MIN. SELECT GOLD AND .000100/(0.00254) MIN. MATTE TIN OVER .000050/(.00127) MIN. NICKEL OVERALL.
*THE PRIMARY SHIPPING CARTON WILL BE LABELED *COMPLIANT TO RoHS DIRECTIVE 2002/95/EC AND ELV ANNEX II OF DIRECTIVE 2000/53/EC.* CARTONS WITHOUT THIS LABEL MAY CONTAIN PRODUCT WITH TIN-LEAD PLATING.
- PRODUCT SPECIFICATION PS-44476-001.
- PACKAGING SPECIFICATION: PK-44478-001 FOR CHAIN TERMINALS
PK-5556-003 FOR LOOSE TERMINALS
- TERMINAL IS FOR USE WITH MOLEX PLUG HOUSINGS 5559, 30068 AND 42475.
- MEASURING POINT FOR PLATING THICKNESS.
- ITEM NUMBERS PRECEDED BY AN "*" IN THE CHART ARE NOT AVAILABLE.



| MODIFIED NOTES EC NO: UCP2010-0471 DRWN: JAGUILAR 2009/12/23 CHKD: J BELL 2009/12/23 APPR: FSMITH 2009/12/28 REV: G1 | QUALITY SYMBOLS ▽=0 ▽=0 | GENERAL TOLERANCES (UNLESS SPECIFIED) <table border="1"> <thead> <tr> <th></th> <th>mm</th> <th>INCH</th> </tr> </thead> <tbody> <tr> <td>4 PLACES ±</td> <td>---</td> <td>---</td> </tr> <tr> <td>3 PLACES ±</td> <td>---</td> <td>±.010</td> </tr> <tr> <td>2 PLACES ±</td> <td>0.25</td> <td>±.015</td> </tr> <tr> <td>1 PLACE ±</td> <td>0.38</td> <td>---</td> </tr> </tbody> </table> | | mm | INCH | 4 PLACES ± | --- | --- | 3 PLACES ± | --- | ±.010 | 2 PLACES ± | 0.25 | ±.015 | 1 PLACE ± | 0.38 | --- | DIMENSION STYLE IN/MM | SCALE 10:1 | DESIGN UNITS METRIC | THIRD ANGLE PROJECTION |
|--|----------------------------------|--|---|--|---|----------------------------|-----|-----|------------|-----|-------|------------|------|-------|-----------|------|-----|---------------------------------|----------------------|-------------------------------|------------------------|
| | | mm | INCH | | | | | | | | | | | | | | | | | | |
| 4 PLACES ± | --- | --- | | | | | | | | | | | | | | | | | | | |
| 3 PLACES ± | --- | ±.010 | | | | | | | | | | | | | | | | | | | |
| 2 PLACES ± | 0.25 | ±.015 | | | | | | | | | | | | | | | | | | | |
| 1 PLACE ± | 0.38 | --- | | | | | | | | | | | | | | | | | | | |
| DRAFT WHERE APPLICABLE MUST REMAIN WITHIN DIMENSIONS | MATERIAL NO. SEE CHART | DRAWN BY GEP DATE 1994/07/25 | CHECKED BY RJF DATE 1994/07/25 | APPROVED BY RJF DATE 1994/07/25 | MOLEX INCORPORATED DOCUMENT NO. SD-44478-**** | SHEET NO. 1 OF 1 | | | | | | | | | | | | | | | |

THIS DRAWING CONTAINS INFORMATION THAT IS PROPRIETARY TO MOLEX INCORPORATED AND SHOULD NOT BE USED WITHOUT WRITTEN PERMISSION