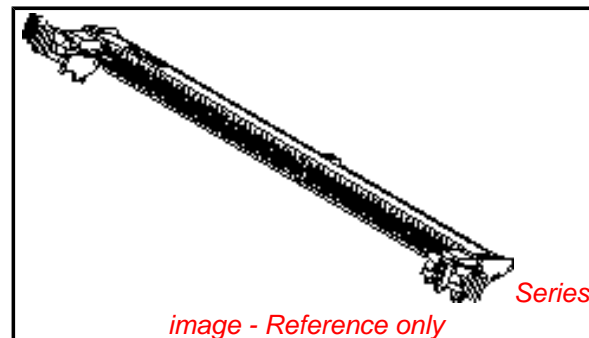


**PLEASE CHECK WWW.MOLEX.COM FOR LATEST PART INFORMATION**

**Part Number:** [0879170011](#)  
**Status:** **Active**  
**Description:** 1.00mm (.039") Pitch Fully Buffered DIMM Socket, 28.5° Angle, Through Hole, 240 Circuits, with Beveled Metal Pins, with Off-White Latches, 0.76µm (30µ") Gold (Au) Selective Plating, 3.18mm (.125") Solder Tail Length, Lead-free

**Documents:**

[3D Model](#) [Product Specification PS-87917-001 \(PDF\)](#)  
[Drawing \(PDF\)](#) [RoHS Certificate of Compliance \(PDF\)](#)



**Agency Certification**

CSA LR19980  
 UL E29179

**General**

Product Family Memory Module Sockets  
 Series [87917](#)  
 Comments <LI>Latches in Off-White Color<LI>Solder Tail Length at 3.18mm (.125")  
 Component Type Memory Module  
 JEDEC Outline MO-256  
 Product Name FB DIMM

**Physical**

Circuits (Loaded) 240  
 Color - Resin Black, Natural  
 Durability (mating cycles max) 25  
 Entry Angle 28.5° Angle  
 Flammability 94V-0  
 Keying to Mating Part Yes  
 Material - Metal Phosphor Bronze  
 Material - Plating Mating Gold  
 Material - Plating Termination Tin  
 Material - Resin High Temperature Thermoplastic  
 PC Tail Length (in) 0.125 In  
 PC Tail Length (mm) 3.18 mm  
 PCB Locator Yes  
 PCB Retention Yes  
 PCB Thickness Recommended (in) 0.093 In  
 PCB Thickness Recommended (mm) 2.40 mm  
 Packaging Type Tray  
 Pitch - Mating Interface (in) 0.039 In  
 Pitch - Mating Interface (mm) 1.00 mm  
 Plating min: Mating (µin) 30  
 Plating min: Mating (µm) 0.76  
 Plating min: Termination (µin) 100  
 Plating min: Termination (µm) 2.54  
 Temperature Range - Operating -55°C to +85°C  
 Termination Interface: Style Through Hole

**Electrical**

Current - Maximum per Contact 1A  
 Voltage - Maximum 30V  
 Voltage Key 1.8V

**Solder Process Data**

Duration at Max. Process Temperature (seconds) 10

**EU RoHS**  
**ELV and RoHS**  
**Compliant**  
**REACH SVHC**  
**Contains SVHC: No**  
**Halogen-Free**  
**Status**  
**Not Halogen-Free**

**China RoHS**

**Need more information on product environmental compliance?**  
 Email [productcompliance@molex.com](mailto:productcompliance@molex.com)  
 For a multiple part number RoHS Certificate of Compliance, [click here](#)

Please visit the [Contact Us](#) section for any non-product compliance questions.

**Search Parts in this Series**  
[87917Series](#)

**Mates With**  
 JEDEC MO-256 modules

Lead-free Process Capability	SMC & Wave Capable (TH only)
Max. Cycles at Max. Process Temperature	2
Process Temperature max. C	260

### **Material Info**

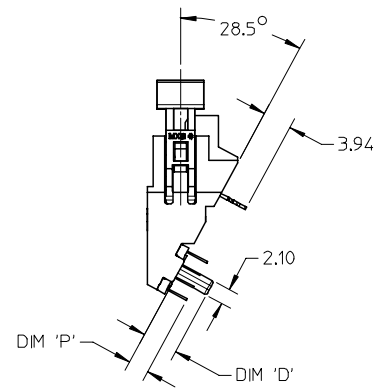
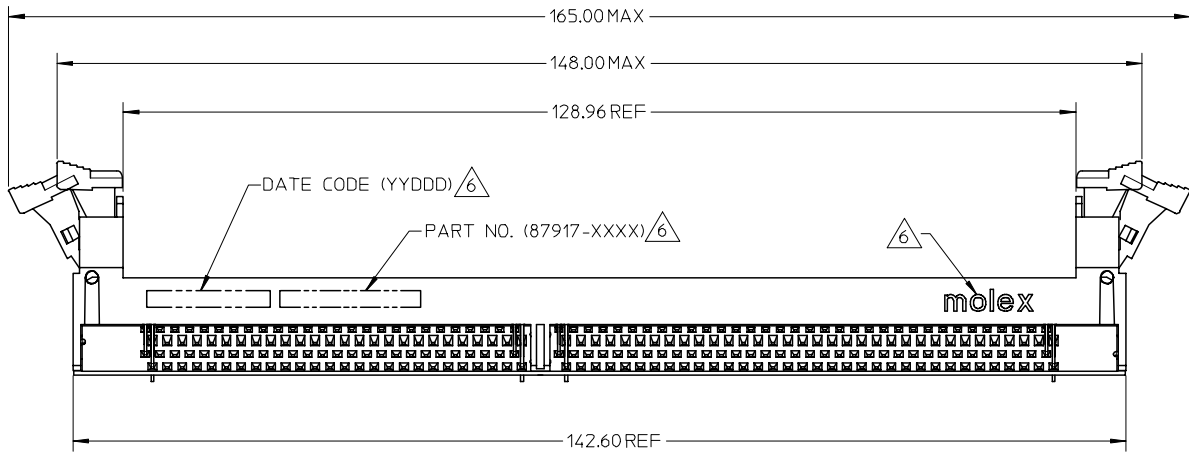
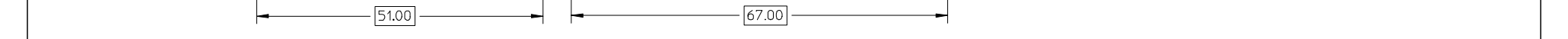
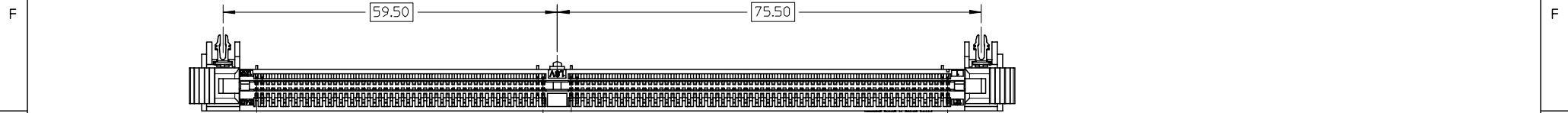
### **Reference - Drawing Numbers**

Product Specification	PS-87917-001, RPS-87917-001
Sales Drawing	SD-87917-001

This document was generated on 04/13/2010

**PLEASE CHECK [WWW.MOLEX.COM](http://WWW.MOLEX.COM) FOR LATEST PART INFORMATION**

10 9 8 7 6 5 4 3 2 1



NOTES :

1. MATERIAL : HOUSING AND BASEPLATE.
  - LCP, GLASS FILLED, UL94-V0, BLACK LATCH.
  - NYLON, GLASS FILLED, UL94-V0, NATURAL (OFF WHITE).
  - TERMINALS & FORKLATCH - COPPER ALLOY.

2. PLATING : CONTACT AREA - SEE TABLE ON SHEET 5.  
SOLDERTAIL - SEE TABLE ON SHEET 5.

3. CARD SLOT ACCEPTS 1.27±0.10MM MODULE THICKNESS (MEASURED OVER PC PADS).

4. REFER TO PRODUCT SPECIFICATION, PS-87917-001 FOR PERFORMANCE SPECIFICATION.

5. PRODUCT SHALL BE PACKED IN TRAY.

6. MOLEX LOGO, DATE & PART NO. INDICATED ON HOUSING.

7. KEEP OUT ZONE IS THE AREA WHERE THE CONNECTOR (INCLUDE LATCH) IS MOUNTED ON THE PCB.

ADDED HSG. CORING	2006/11/08
EC NO: S2007-0413	2006/11/09
DRWN:BLIM	2006/11/09
CHKD:SHLEN	2006/11/10
APPR:GGLLEE	

QUALITY SYMBOLS	DESCRIPTION
▽=0	
△=0	

GENERAL TOLERANCES (UNLESS SPECIFIED)	
	mm
4 PLACES	± 0.15
3 PLACES	± 0.20
2 PLACES	± 0.25
1 PLACE	± 0.30
ANGULAR ± 1 °	
DRAFT WHERE APPLICABLE MUST REMAIN WITHIN DIMENSIONS	

DIMENSION STYLE	
MM ONLY	
DRAWN BY	DATE
JTAN	2005/12/23
CHECKED BY	DATE
SRRAMESH	2006/02/03
APPROVED BY	DATE
GGLLEE	2006/02/06
MATERIAL NO.	
SEE TABLE	
SIZE	A3

SCALE	DESIGN UNITS	THIRD ANGLE PROJECTION
NTS	METRIC	☉
TITLE		
FB DIMM, 1.00MM PITCH 240 CKTS, 28.5 DEG		
MOLEX INCORPORATED		
DOCUMENT NO.	SHEET NO.	
SD-87917-001	1 OF 6	
THIS DRAWING CONTAINS INFORMATION THAT IS PROPRIETARY TO MOLEX INCORPORATED AND SHOULD NOT BE USED WITHOUT WRITTEN PERMISSION		

10 9 8 7 6 5 4 3 2 1

F

F

E

E

D

D

C

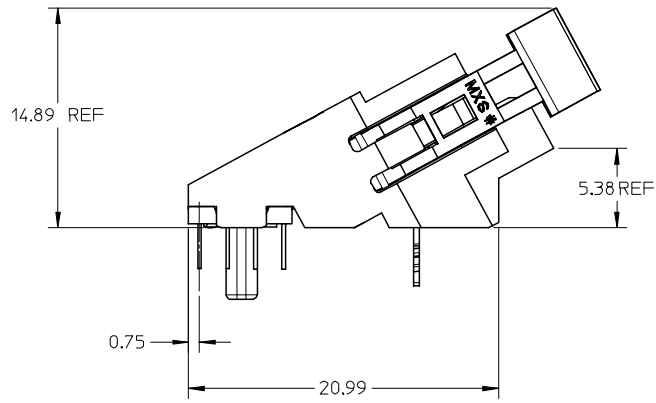
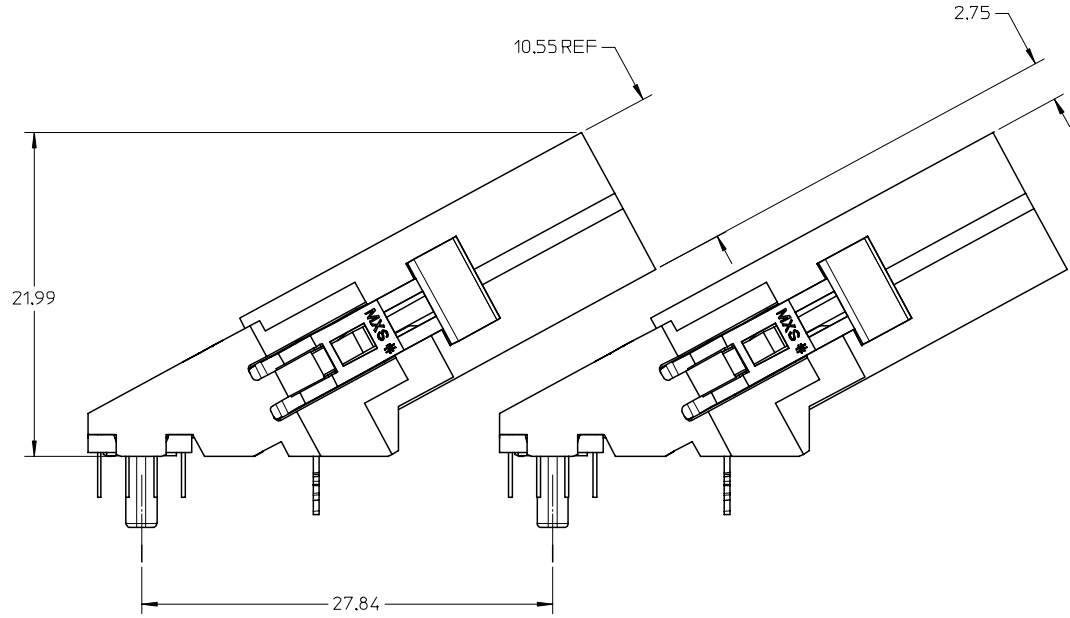
C

B

B

A

A



ADDED HSG. CORING  
 EC NO: S2007-0413 2006/11/08  
 DRWN:BLIM 2006/11/09  
 CHKD:SHLENI 2006/11/09  
 APPR:GGLLEE 2006/11/10

QUALITY SYMBOLS  
 ▽=0  
 ∇=0

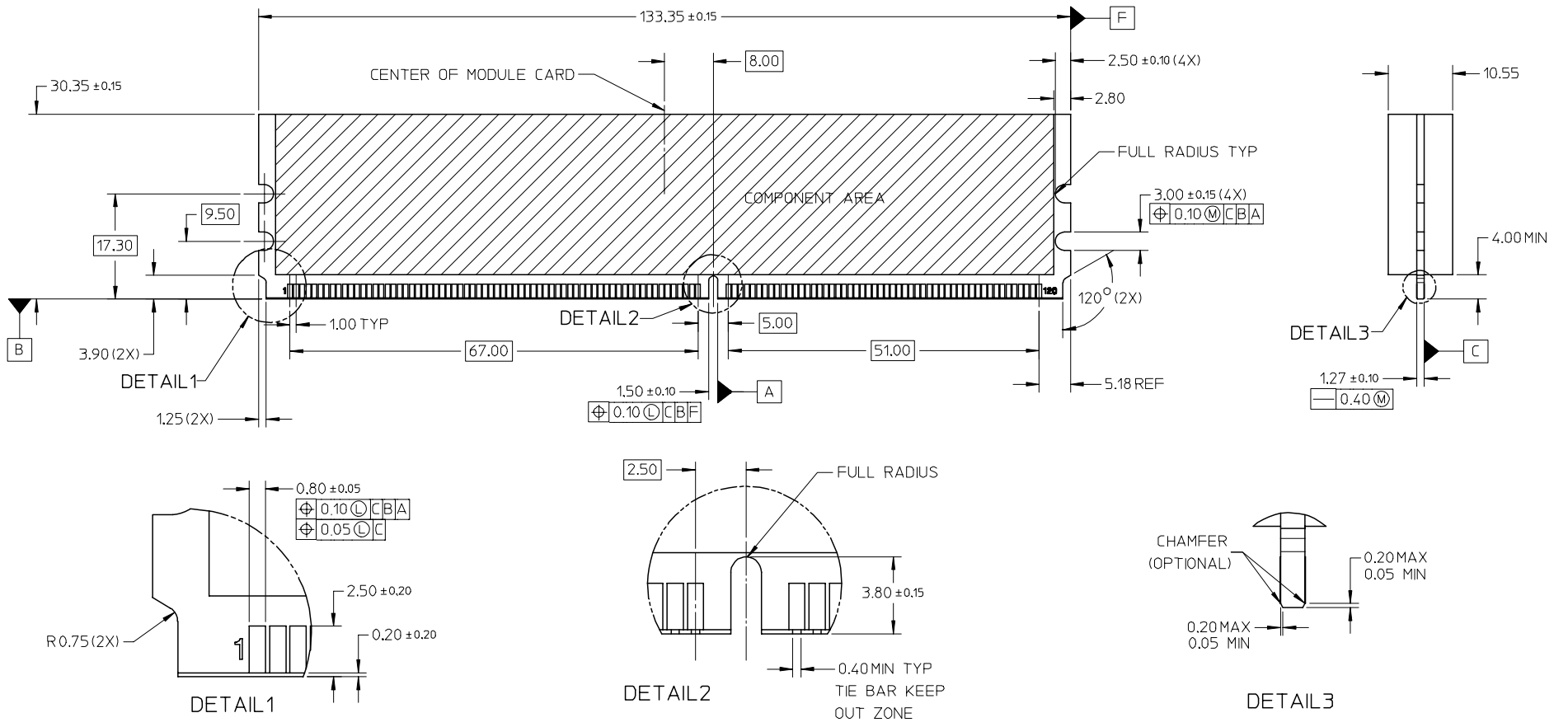
GENERAL TOLERANCES (UNLESS SPECIFIED)	
	mm
4 PLACES	± 0.1
3 PLACES	± 0.2
2 PLACES	± 0.3
1 PLACE	± 0.5
ANGULAR ± 1 °	

DIMENSION STYLE	
MM ONLY	
DRAWN BY	DATE
JTAN	2005/12/23
CHECKED BY	DATE
SRRAMESH	2006/02/03
APPROVED BY	DATE
GGLLEE	2006/02/06
MATERIAL NO.	
SEE TABLE	

SCALE	DESIGN UNITS	THIRD ANGLE PROJECTION
NTS	METRIC	⊙ □
TITLE		
FB DIMM, 1.00MM PITCH 240 CKTS, 28.5 DEG		
MOLEX INCORPORATED		
DOCUMENT NO.		SHEET NO.
SD-87917-001		2 OF 6
SIZE		
A3		
THIS DRAWING CONTAINS INFORMATION THAT IS PROPRIETARY TO MOLEX INCORPORATED AND SHOULD NOT BE USED WITHOUT WRITTEN PERMISSION		

9 8 7 6 5 4 3 2 1

MODULE CARD  
 FB DIMM,DUAL IN-LINE MEMORY MODULE FAMILY 1.00MM CONTACT CENTERS  
 (PER JEDEC MO-256,DATE : 10/15)



- NOTES:
1. LEADING EDGE OF CONTACT PADS SPECIFIED BY THE KEEP-OUT ZONE SHALL BE FREE OF BURRS AND EXTERNAL TIEBARS. FOR OPTIMUM PERFORMANCE, THE TIE IS TO BE ON AN INTERNAL LAYER SO THAT THE REMNANT CANNOT CAUSE CONTACT DAMAGE.
  2. THE CHAMFER IS A FABRICATION OPTION AND IS NOT REQUIRED.
  3. THE CHAMFER IS NOT TO HIT THE GOLD CONTACTS.

ADDED HSG. CORING EC NO: S2007-0413 DRWN:BLIM 2006/11/08 CHKD:SHLENI 2006/11/09 APPR:GGLLEE 2006/11/10	QUALITY SYMBOLS ▽=0 ▽=0	GENERAL TOLERANCES (UNLESS SPECIFIED)		DIMENSION STYLE MM ONLY		SCALE NTS	DESIGN UNITS METRIC	THIRD ANGLE PROJECTION		
			mm	INCH	DRAWN BY JTAN	DATE 2005/12/23	TITLE FB DIMM, 1.00MM PITCH 240 CKTS, 28.5 DEG			
			4 PLACES ± ---	± ---	CHECKED BY SRRAMESH	DATE 2006/02/03	MOLEX INCORPORATED DOCUMENT NO. SD-87917-001 SHEET NO. 3 OF 6			
			3 PLACES ± ---	± ---	APPROVED BY GGLLEE	DATE 2006/02/06				
	2 PLACES ± 0.2	± ---	MATERIAL NO.		DRAFT WHERE APPLICABLE MUST REMAIN WITHIN DIMENSIONS					
	1 PLACE ± 0.5	± ---	SIZE A3		SEE TABLE					

10 9 8 7 6 5 4 3 2 1

F

E

D

C

B

A

F

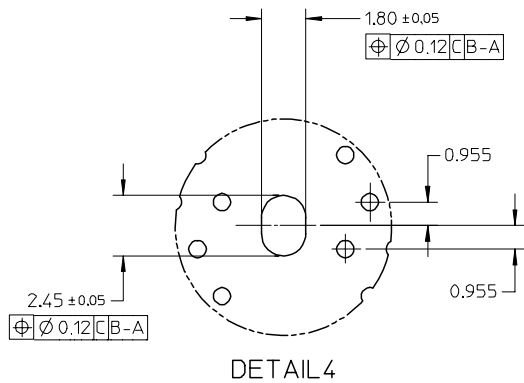
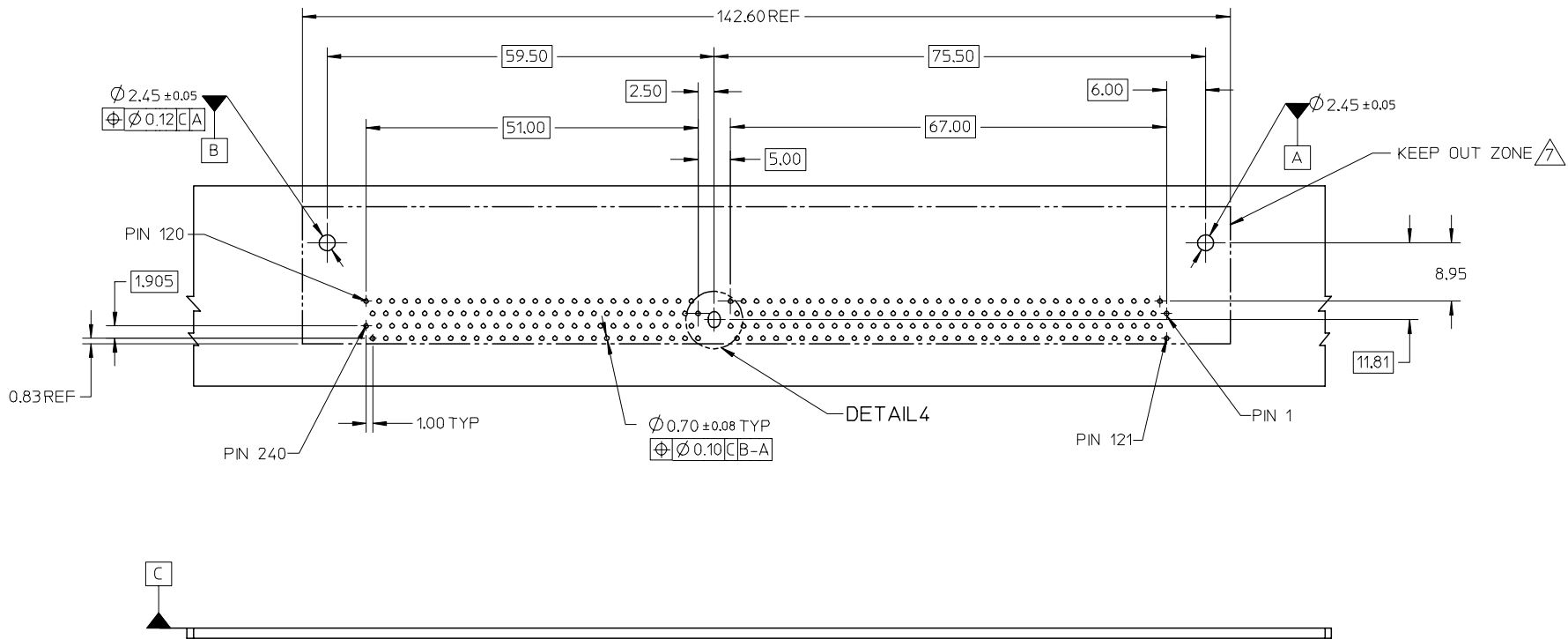
E

D

C

B

A



ADDED HSG. CORING	2006/11/08
EC NO: S2007-0413	2006/11/09
DRWN:BLIM	2006/11/09
CHKD:SHLEN	2006/11/10
APPR:GGLLEE	2006/11/10
REV	DESCRIPTION
B3	

QUALITY SYMBOLS	$\nabla=0$
	$\nabla C=0$

GENERAL TOLERANCES (UNLESS SPECIFIED)	mm	INCH
	4 PLACES $\pm$ ---	$\pm$ ---
	3 PLACES $\pm$ ---	$\pm$ ---
	2 PLACES $\pm 0.2$	$\pm$ ---
	1 PLACE $\pm 0.5$	$\pm$ ---
	ANGULAR $\pm 1^\circ$	
DRAFT WHERE APPLICABLE MUST REMAIN WITHIN DIMENSIONS		

DIMENSION STYLE		SCALE	DESIGN UNITS	THIRD ANGLE PROJECTION
MM ONLY		NTS	METRIC	
DRAWN BY	DATE	TITLE		
JTAN	2005/12/23	FB DIMM, 1.00MM PITCH		
CHECKED BY	DATE	240 CKTS, 28.5 DEG		
SRRAMESH	2006/02/03			
APPROVED BY	DATE			
GGLLEE	2006/02/06			
MATERIAL NO.		DOCUMENT NO.		SHEET NO.
SEE TABLE		SD-87917-001		4 OF 6

MOLEX INCORPORATED	
THIS DRAWING CONTAINS INFORMATION THAT IS PROPRIETARY TO MOLEX INCORPORATED AND SHOULD NOT BE USED WITHOUT WRITTEN PERMISSION	

9

8

7

6

5

4

3

2

1

10 9 8 7 6 5 4 3 2 1

PART NO.	VOLTAGE KEY	DIM 'P'	DIM 'D'	RECOMMENDED PCB THICKNESS	CONTACT AREA PLATING	SOLDERTAIL PLATING
87917-0001	CENTER (1.8V)	2.79	3.18	1.57	0.38uM/15uIN GOLD OVER 1.27uM/50uIN MIN NICKEL	2.54uM/100uIN MIN TIN OVER 1.27uM/50uIN MIN NICKEL
87917-0052					0.76uM/30uIN GOLD OVER 1.27uM/50uIN MIN NICKEL	
87917-0011		3.18	4.83	2.36	0.76uM/30uIN GOLD OVER 1.27uM/50uIN MIN NICKEL	
87917-0012					0.38uM/15uIN GOLD OVER 1.27uM/50uIN MIN NICKEL	

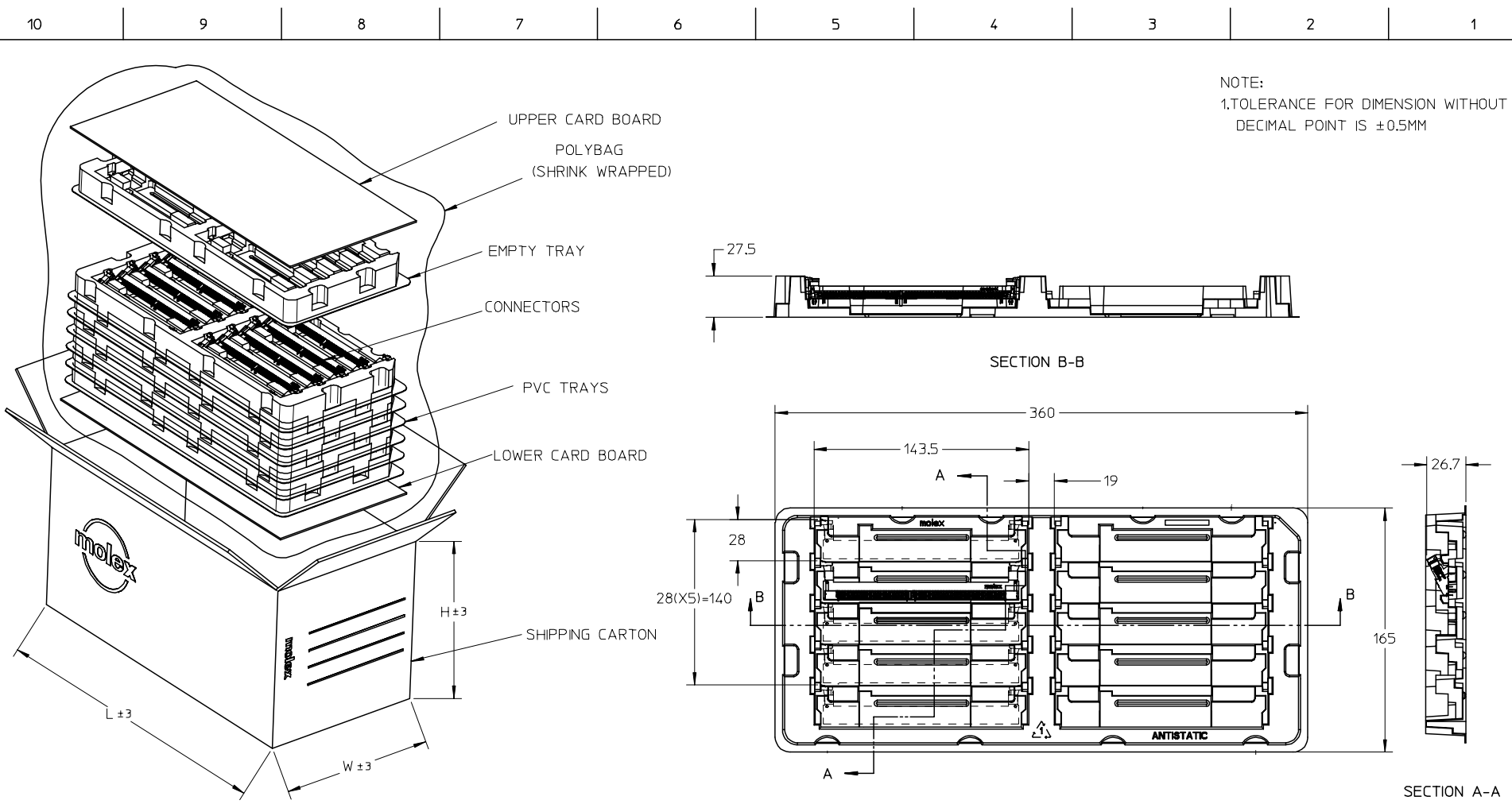
ADDED HSG. CORING EC NO: S2007-0413 DRWN:BLIM CHKD:SHLENI APPR:GGLLEE	2006/11/08	2006/11/09	2006/11/10	QUALITY SYMBOLS ▽=0 ◻=0	GENERAL TOLERANCES (UNLESS SPECIFIED) <table border="1"> <thead> <tr> <th></th> <th>mm</th> <th>INCH</th> </tr> </thead> <tbody> <tr> <td>4 PLACES</td> <td>± .005</td> <td>± .0002</td> </tr> <tr> <td>3 PLACES</td> <td>± .005</td> <td>± .0002</td> </tr> <tr> <td>2 PLACES</td> <td>± 0.2</td> <td>± .0079</td> </tr> <tr> <td>1 PLACE</td> <td>± 0.5</td> <td>± .0197</td> </tr> <tr> <td colspan="3">ANGULAR ± 1 °</td> </tr> </tbody> </table>		mm	INCH	4 PLACES	± .005	± .0002	3 PLACES	± .005	± .0002	2 PLACES	± 0.2	± .0079	1 PLACE	± 0.5	± .0197	ANGULAR ± 1 °			DIMENSION STYLE MM ONLY	SCALE NTS	DESIGN UNITS METRIC	THIRD ANGLE PROJECTION
		mm	INCH																								
	4 PLACES	± .005	± .0002																								
	3 PLACES	± .005	± .0002																								
2 PLACES	± 0.2	± .0079																									
1 PLACE	± 0.5	± .0197																									
ANGULAR ± 1 °																											
REV	DESCRIPTION	DRAWN BY JTAN		DATE 2005/12/23	TITLE FB DIMM, 1.00MM PITCH 240 CKTS, 28.5 DEG																						
		CHECKED BY SRRAMESH		DATE 2006/02/03	MOLEX INCORPORATED																						
B3		APPROVED BY GGLLEE		DATE 2006/02/06	DOCUMENT NO. SD-87917-001		SHEET NO. 5 OF 6																				

DRAFT WHERE APPLICABLE MUST REMAIN WITHIN DIMENSIONS

SIZE A3

THIS DRAWING CONTAINS INFORMATION THAT IS PROPRIETARY TO MOLEX INCORPORATED AND SHOULD NOT BE USED WITHOUT WRITTEN PERMISSION

9 8 7 6 5 4 3 2 1



NOTE:  
1.TOLERANCE FOR DIMENSION WITHOUT  
DECIMAL POINT IS ±0.5MM

PACKAGING

TRAY

CARTON DIMENSIONS (MAX)	PARTS PER TRAY	TRAYS PER CARTON (EXC. EMPTY TRAY)	TOTAL PARTS PER CARTON	GROSS WEIGHT (KG)
L = 371 W = 184 H = 192	10	6	60	1.5

ADDED HSG. CORING	2006/11/08
EC NO: S2007-0413	2006/11/09
DRWN:BLIM	2006/11/09
CHKD:SHLENI	2006/11/10
APPR:GGLLEE	

QUALITY SYMBOLS	DESCRIPTION
▽=0	
▽=0	

GENERAL TOLERANCES (UNLESS SPECIFIED)	
PLACES	TOLERANCE
4 PLACES	± ---
3 PLACES	± ---
2 PLACES	± 0.2
1 PLACE	± 0.5
ANGULAR ± 1 °	
DRAFT WHERE APPLICABLE MUST REMAIN WITHIN DIMENSIONS	

DIMENSION STYLE	
MM ONLY	
DRAWN BY	DATE
JTAN	2005/12/23
CHECKED BY	DATE
SRRAMESH	2006/02/03
APPROVED BY	DATE
GGLLEE	2006/02/06
MATERIAL NO.	DOCUMENT NO.
SEE TABLE	SD-87917-001

SCALE	DESIGN UNITS	THIRD ANGLE PROJECTION
NTS	METRIC	
TITLE		
FB DIMM, 1.00MM PITCH 240 CKTS, 28.5 DEG		
MOLEX INCORPORATED		
DOCUMENT NO.		SHEET NO.
SD-87917-001		6 OF 6