

Solid-state relays - ST-OV2-220DC/ 60DC/1 - 2905064

Please be informed that the data shown in this PDF Document is generated from our Online Catalog. Please find the complete data in the user's documentation. Our General Terms of Use for Downloads are valid (<http://phoenixcontact.com/download>)




Plug-in power solid-state relay, with LED and protective circuit in input and output circuits, input: 220 V DC, output: 12 - 60 V DC/max. 1 A, can be plugged into basic terminal blocks

The illustration shows version ST-OV 2- 5 DC/ 60 DC/1



Key commercial data

| | |
|--------------------------------------|---|
| Packing unit | 1 pc |
| GTIN |  4 017918 079208 |
| Weight per Piece (excluding packing) | 25.6 GRM |
| Custom tariff number | 85364900 |
| Country of origin | Germany |

Technical data

Dimensions

| | |
|--------|---------|
| Width | 14.6 mm |
| Height | 33 mm |
| Depth | 66.5 mm |

Ambient conditions

| | |
|---|------------------|
| Ambient temperature (operation) | -20 °C ... 60 °C |
| Ambient temperature (storage/transport) | -20 °C ... 70 °C |

Input data

| | |
|--|---------------------|
| Nominal input voltage U_N | 220 V DC ± 20 % |
| Switching threshold "0" signal in reference to U_N | ≤ 0.4 |
| Switching threshold "1" signal in reference to U_N | ≥ 0.8 |
| Typical input current at U_N | 5 mA |

Solid-state relays - ST-OV2-220DC/ 60DC/1 - 2905064

Technical data

Input data

| | |
|------------------------------|--------------------------------------|
| Typical response time | 20 µs |
| Typical turn-off time | 200 µs |
| Status display | Yellow LED |
| Type of protection | Protection against polarity reversal |
| | Surge protection |
| Protective circuit/component | Polarity protection diode |
| Transmission frequency | 500 Hz |

Output data

| | |
|--|---|
| Output voltage range | 12 V DC ... 60 V DC |
| Limiting continuous current | 1 A (see derating curve) |
| Surge current | 5 A (t = 1 s) |
| Peak offstate voltage | 60 V DC (Collector-emitter reverse voltage) |
| Voltage drop at max. limiting continuous current | 1.2 V |
| Output circuit | 2-wire, floating |
| Type of protection | Protection against polarity reversal |
| | Surge protection |
| Protective circuit/component | Polarity protection diode |

General

| | |
|---------------------------|-----------------------------------|
| Test voltage input/output | 2.5 kV AC |
| Mounting position | any |
| Standards/regulations | DIN VDE 0110b, Gr. C for 250 V DC |
| | DIN VDE 0160 (in relevant parts) |

Classifications

eCl@ss

| | |
|------------|----------|
| eCl@ss 4.0 | 27371102 |
| eCl@ss 4.1 | 27371102 |
| eCl@ss 5.0 | 27371001 |
| eCl@ss 5.1 | 27371001 |
| eCl@ss 6.0 | 27371001 |
| eCl@ss 7.0 | 27371001 |
| eCl@ss 8.0 | 27371001 |

ETIM

| | |
|----------|----------|
| ETIM 2.0 | EC001504 |
|----------|----------|

Solid-state relays - ST-OV2-220DC/ 60DC/1 - 2905064

Classifications

ETIM

| | |
|----------|----------|
| ETIM 3.0 | EC001504 |
| ETIM 4.0 | EC001504 |
| ETIM 5.0 | EC001504 |

UNSPSC

| | |
|---------------|----------|
| UNSPSC 6.01 | 30211916 |
| UNSPSC 7.0901 | 39121542 |
| UNSPSC 11 | 39121542 |
| UNSPSC 12.01 | 39121542 |
| UNSPSC 13.2 | 39121542 |

Approvals

Approvals

Approvals

GOST / GOST

Ex Approvals

Approvals submitted

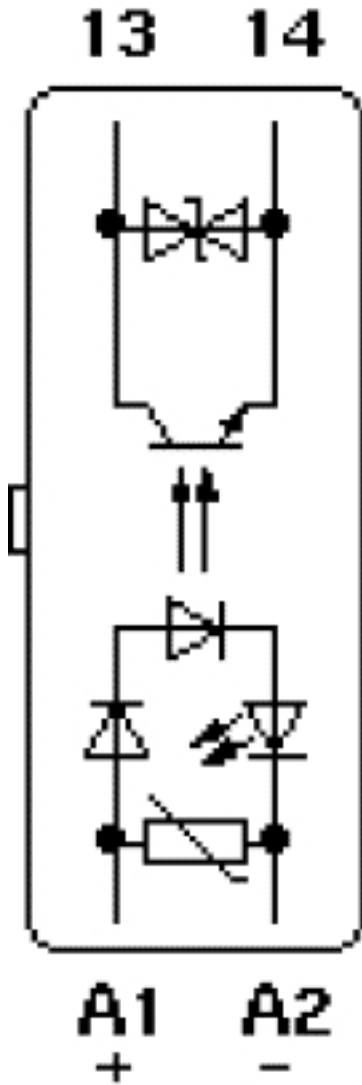
Approval details



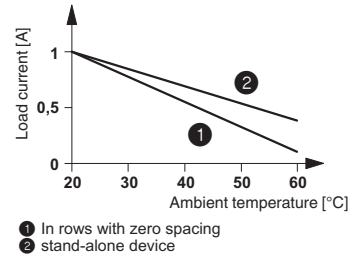
Drawings

Solid-state relays - ST-OV2-220DC/ 60DC/1 - 2905064

Circuit diagram



Diagram



Solid-state relays - ST-OV2-220DC/ 60DC/1 - 2905064

Circuit diagram

