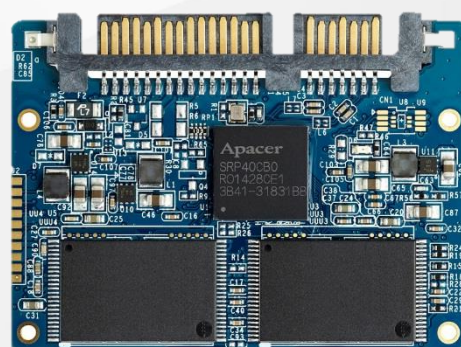


# Apacer

The Most **Reliable**  
Storage For Industries

SU210-297

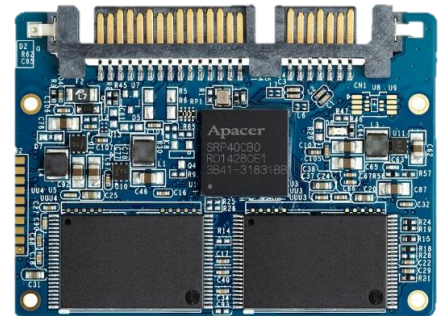


## SU210-297

### Overview

Apacer's SU210-297 is a well-balanced solid-state disk (SSD) drive with compact form factor and great performance. Designed in SATA 6.0 Gbps interface, the SSD is able to deliver exceptional read/write speed, making it the ideal companion for heavy-loading industrial or server operations.

For data efficiency, the internal controlling unit of the SSD is engineered with DRAM for enhanced random performance. In regard of reliability, the drive comes with various implementations including powerful hardware ECC engine, power saving modes, wear leveling, flash block management, S.M.A.R.T., TRIM, and power failure management.



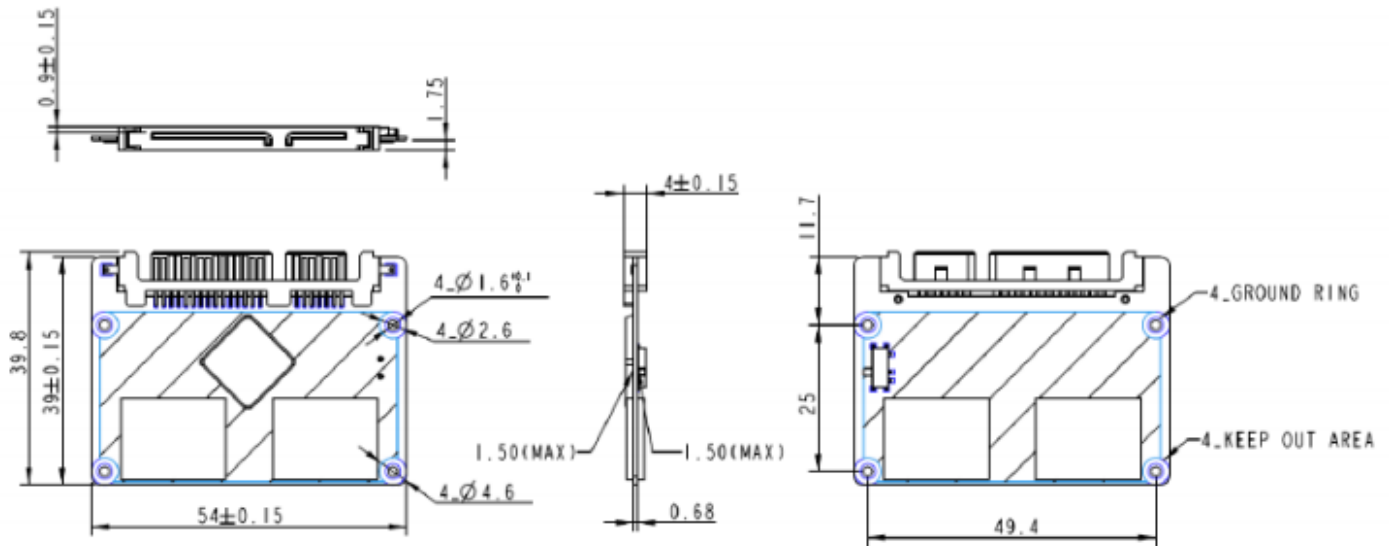
### Feature

- Built-in hardware ECC
- Global Wear Leveling
- SLC-lite Technology
- Flash bad-block management
- S.M.A.R.T.
- Power Failure Management
- ATA Secure Erase
- TRIM

## Specifications

<b>Model</b>	SU210-297
<b>Interface</b>	SATA 3.0 (6Gb/s)
<b>Connector</b>	(7+15) pin male
<b>Form Factor</b>	JEDEC MO-297
<b>NAND Flash Type</b>	MLC
<b>Capacity</b>	16GB~256GB
<b>External DRAM</b>	Yes
<b>Sustained Read Performance (MB/sec)</b>	Up to 555
<b>Sustained Write Performance (MB/sec)</b>	Up to 460
<b>ECC Engine</b>	Built-in 40-bit per 1K bytes BCH ECC
<b>Standard Operating Temperature ( °C )</b>	0 ~ + 70
<b>Extended Operating Temperature ( °C )</b>	-40 ~ + 85
<b>Storage Temperature ( °C )</b>	-40 ~ + 100
<b>Shock</b>	Operation: 50G, 11ms Non-operation: 1500G, 0.5ms
<b>Vibration</b>	Operation: 7.69 Grms, 20~2000 Hz/random (compliant with MIL-STD-810G) Non-operation: 4.02 Grms, 15 ~ 2000 Hz/sine (compliant with MIL-STD-810G)
<b>Operating Voltage</b>	5.0 V ± 5%
<b>Power Consumption</b>	Active mode: 470 mA / Idle mode: 85 mA
<b>Dimension (L x W x H )</b>	Without housing: 54 x 39.8 x 4 (mm)
<b>MTBF (hours)</b>	>1,000,000

## Mechanical Specification



Unit: mm

**For more information,  
contact your Apacer representative**

### Global Presence

Taiwan (Headquarters)  
Apacer Technology Inc.  
Tel: +886-2-2267-8000  
Fax: +886-2-2267-2261

Europe  
Apacer Technology B.V.  
Tel: +31-40-267-0000  
Fax: +31-40-290-0686

U.S.A.  
Apacer Memory America, Inc.  
Tel: +1-408-518-8699  
Fax: 1-510-249-9551

China  
Apacer Electronic(Shanghai)  
Co., Ltd.  
Tel: +86-21-6228-9939

Japan  
Apacer Technology Corp.  
Tel: +81-3-5419-2668  
Fax: +81-3-5419-0018

India  
Apacer Technologies Pvt. Ltd.  
Tel: +91-80-41529061~3  
Fax: +91-80-41700215