

**PLEASE CHECK WWW.MOLEX.COM FOR LATEST PART INFORMATION**

**Part Number:** [0528306622](#)  
**Status:** **Active**  
**Overview:** [modular\\_plugs\\_jacks](#)  
**Description:** Modular Jack, Right Angle, Bottom Latch, 6/6, 0.38µm (15µ") Gold (Au) Plating, Beveled Metal Pins, Lead free

**Documents:**

[3D Model](#) [Product Specification PS-52830-002 \(PDF\)](#)  
[Drawing \(PDF\)](#) [RoHS Certificate of Compliance \(PDF\)](#)

**Agency Certification**

CSA LR19980  
 UL E107635

**General**

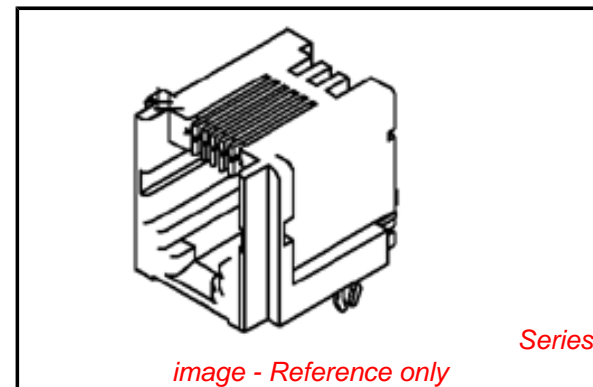
Product Family Modular Jacks/Plugs  
 Series [52830](#)  
 Comments Beveled Metal Pins  
 Component Type PCB Jack  
 Magnetic No  
 Overview [modular\\_plugs\\_jacks](#)  
 Performance Category 3  
 Power over Ethernet (PoE) N/A  
 Product Name RJ11

**Physical**

Boot Color N/A  
 Color - Resin Gray  
 Durability (mating cycles max) 200  
 Flammability 94V-0  
 Inverted / Top Latch No  
 Lightpipes/LEDs None  
 Material - Metal Phosphor Bronze  
 Material - Plating Mating Gold  
 Material - Plating Termination Tin  
 Material - Resin Polyester  
 Orientation Right Angle (Side Entry)  
 PCB Locator Yes  
 PCB Retention Yes  
 PCB Thickness Recommended (in) 0.063 In  
 PCB Thickness Recommended (mm) 1.60 mm  
 Packaging Type Tray  
 Pitch - Mating Interface (in) 0.040 In  
 Pitch - Mating Interface (mm) 1.02 mm  
 Pitch - Term. Interface (in) 0.040 In  
 Pitch - Term. Interface (mm) 1.02 mm  
 Ports 1  
 Positions / Loaded Contacts 6/6  
 Surface Mount Compatible (SMC) No  
 Temperature Range - Operating -40°C to +80°C  
 Termination Interface: Style Through Hole  
 Waterproof / Dustproof No  
 Wire/Cable Type N/A

**Electrical**

Current - Maximum per Contact 1.2A



**EU RoHS**

**ELV and RoHS Compliant**  
**REACH SVHC**  
 Not Reviewed  
**Halogen-Free Status**  
 Not Reviewed

**China RoHS**



**Need more information on product environmental compliance?**

Email [productcompliance@molex.com](mailto:productcompliance@molex.com)  
 For a multiple part number RoHS Certificate of Compliance, [click here](#)

Please visit the [Contact Us](#) section for any non-product compliance questions.

**Search Parts in this Series**

[52830Series](#)

**Mates With**

FCC 68 Plugs

Shielded  
Voltage - Maximum

No  
125V AC (RMS)/DC

**Material Info**

**Reference - Drawing Numbers**

Product Specification  
Sales Drawing

PS-52830-002  
SD-52830-002

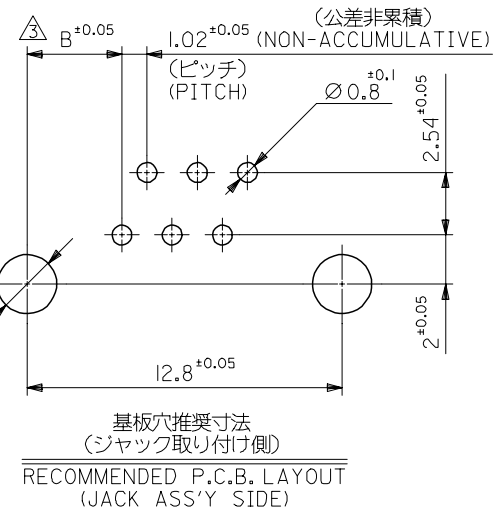
This document was generated on 06/07/2010

**PLEASE CHECK [WWW.MOLEX.COM](http://WWW.MOLEX.COM) FOR LATEST PART INFORMATION**

注記  
NOTES

- 材質  
MATERIAL  
ハウジング: ガラス入りポリエステル UL94V-0 (色: グレイ)  
UL94V-0 (色: グレイ)  
HOUSING: POLYESTER G.F.15% UL94V-0 (COLOR: GRAY)  
ターミナル: リン青銅 (t=0.38)  
TERMINAL: PHOSPHOR BRONZE (t=0.38)  
金属ペグ: リン青銅、錫メッキ (t=0.4)  
METAL PEG: PHOSPHOR BRONZE (t=0.4), PRE-TINNED
- ターミナルのメッキ仕様  
PLATING OF TERMINAL  
接点部: 金メッキ、表参照  
CONTACT AREA: GOLD PER TABLE  
半田付け部: 錫メッキ 1.0 μmMIN.  
SOLDER AREA: TIN 1.0 μmMIN.  
下地メッキ: ニッケルメッキ 1.0 μmMIN.  
UNDERPLATE: NICKEL 1.0 μmMIN.

- △3 -64\*2は、両端の基板穴を除く。  
-62\*2は、両端2つの基板穴を除く。  
DIM. "B" INDICATES FIRST P.C. HOLE REQUIRED PER PART NUMBER. FOR PARTIALLY LOADED ASSEMBLIES P.C. HOLE PATTERN IS REDUCED FROM EACH END.
- △4 金メッキ厚標示  
COLOR CODING TO INDICATE GOLD PLATING  
黄色: 0.1 μmMIN.  
YELLOW: 0.1 μmMIN.  
緑色: 0.38 μmMIN.  
GREEN: 0.38 μmMIN.  
オレンジ色: 0.76 μmMIN.  
ORANGE: 0.76 μmMIN.  
無色: 1.27 μmMIN.  
UNMARKED: 1.27 μmMIN.
- 推奨基板厚: t=1.6±0.05  
RECOMMENDED P.C.B. THICKNESS: 1.6±0.05
- 本製品は52830-6\*\*5の鉛フリー品である。  
THIS PRODUCT IS LEAD FREE OF 52830-6\*\*5.



POSITION	CIRCUIT	B	(A)	金メッキ厚 (μmMIN.) Au PLATING THK. (μmMIN.)	MATERIAL NO.
6	6	3.85	5.08	1.27	52830-6642
				0.76	-6632
				0.38	-6622
				0.1	-6612
6	4	4.87	3.05	1.27	-6442
				0.76	-6432
				0.38	-6422
				0.1	-6412
6	2	5.89	1.02	1.27	-6242
				0.76	-6232
				0.38	-6222
				0.1	-6212

REVISED EC NO: J2006-0419 DRW: HVAJIMA 2005/11/02 CHK: DAN.UKITA 2005/11/07 APPR: NUKITA 2005/11/10	GENERAL TOLERANCES (UNLESS SPECIFIED)		DIMENSION STYLE MM ONLY	SCALE 5:1	DESIGN UNITS METRIC	THIRD ANGLE PROJECTION
	10 UNDER	±0.2	DRAWN BY Y. SAKIYAMA	DATE '04/04/20	TITLE BOTTOM LATCH MODULAR JACK HOUSING ASS'Y -LEAD FREE-	
	10 OVER 30 UNDER	±0.25	CHECKED BY M. SASAO	DATE '04/04/20	MOLEX INCORPORATED	
	30 OVER	±0.3	APPROVED BY M. SASAO	DATE '04/04/20	DOCUMENT NO. SD-52830-002	SHEET NO. 1 OF 1
	ANGULAR	±3 °	MATERIAL NO. SEE CHART			