

Customer Information Sheet

DRAWING No.: M22-655XX42R

SHEET 3 OF 4

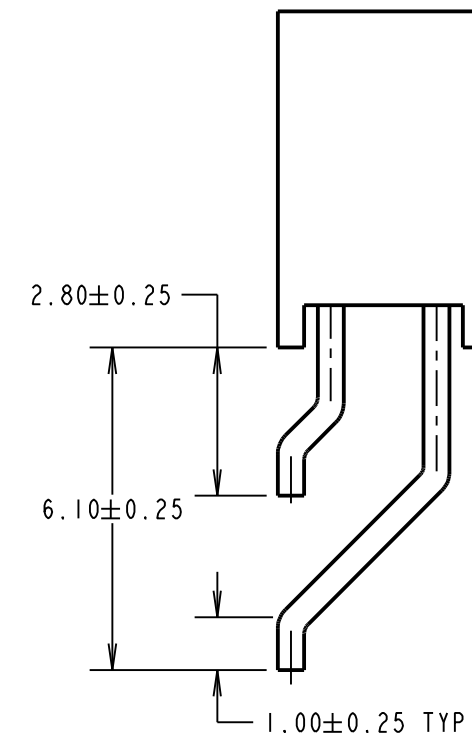
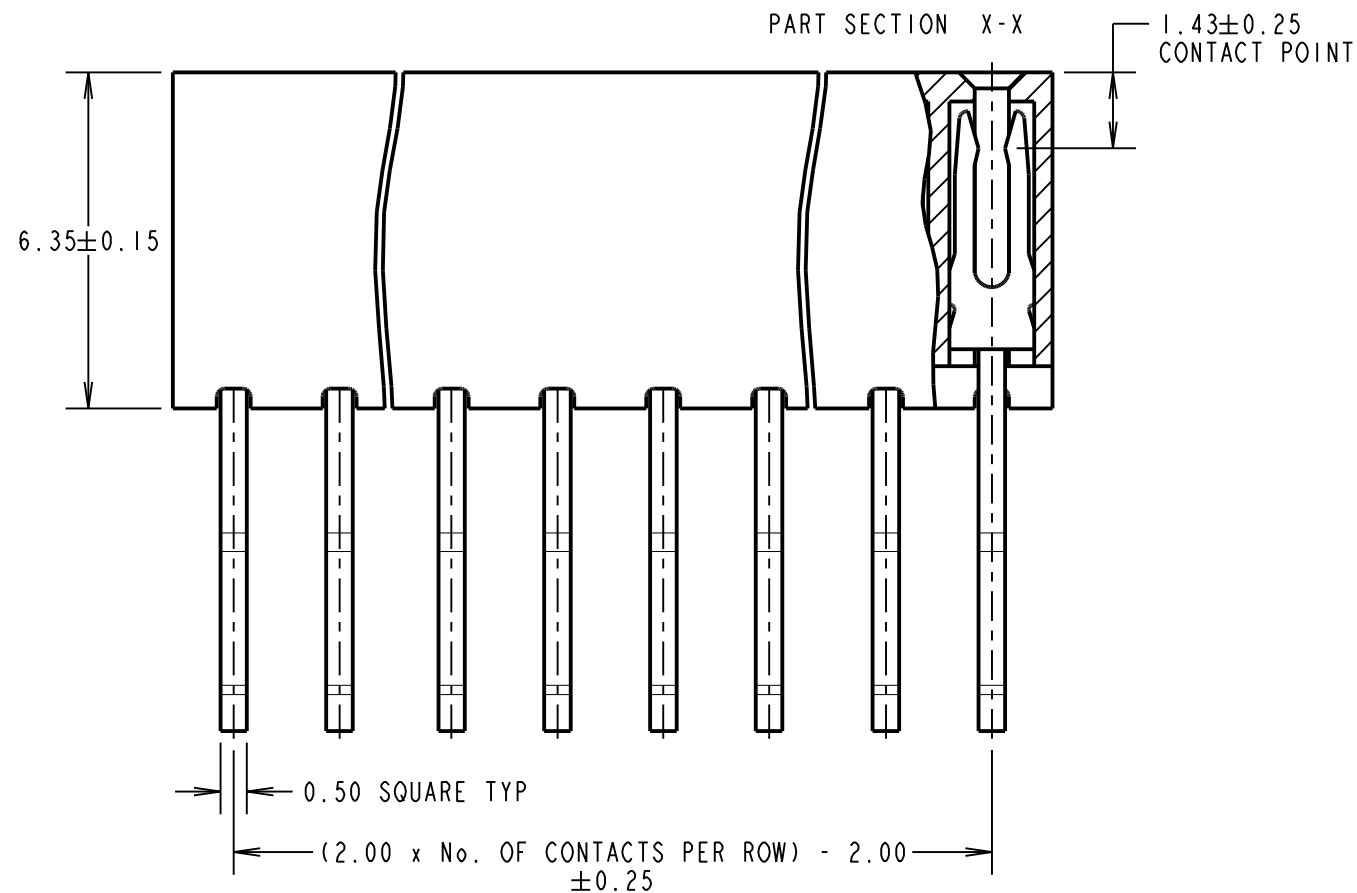
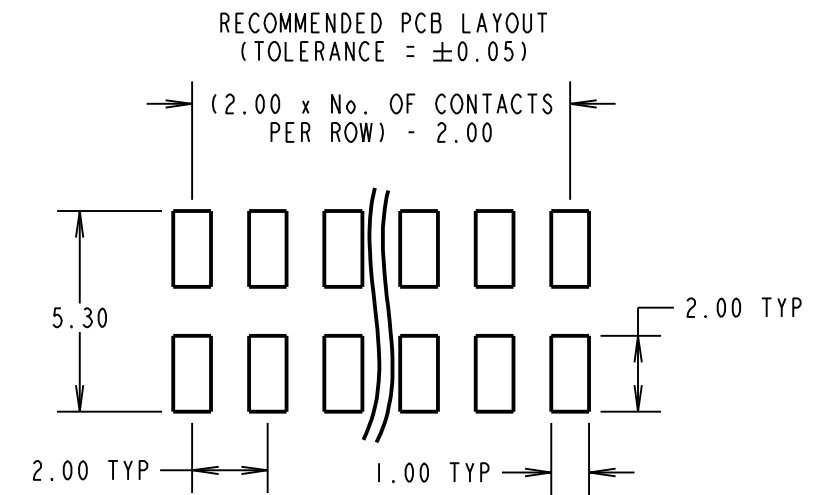
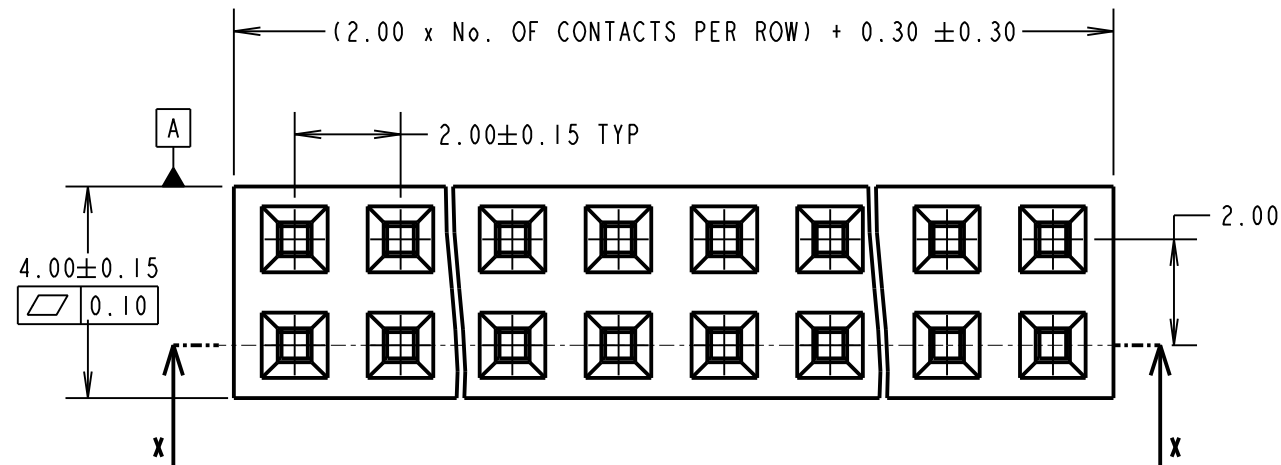
IF IN DOUBT - ASK

©

NOT TO SCALE

THIRD ANGLE PROJECTION

ALL DIMENSIONS IN mm



ORDER CODE: **M22-655XX42R**
 No. OF CONTACTS PER ROW: _____
 02-06, 08, 10

COMPONENT SPECIFICATIONS:

MATERIAL:
 MOULD = GLASS FILLED LCP, UL94V-0
 CONTACTS = PHOSPHOR BRONZE

FINISH:
 CONTACT = 0.015µ MIN GOLD FLASH OVER
 0.76-2.03µ NICKEL
 TAIL = 2.03-5.08µ TIN OVER 0.76-2.03µ NICKEL

ELECTRICAL:
 CURRENT RATING = 2A
 CONTACT RESISTANCE = 20mΩ MAX
 INSULATION RESISTANCE = 1000MΩ MIN
 VOLTAGE PROOF = 500V AC FOR ONE MINUTE

MECHANICAL:
 INSERTION FORCE = 1.96N MAX PER CONTACT
 WITHDRAWAL FORCE = 0.19N MIN PER CONTACT
 DURABILITY = 300 CYCLES MIN

ENVIRONMENTAL:
 OPERATING TEMPERATURE = -40°C TO +105°C

NOTES:

- CONTACT LEG VARIATION ON COMPLETE ASSEMBLY NOT TO EXCEED 0.10mm.
- FOR TAPE AND REEL DETAILS, SEE SHEET 4.

MSP	1	16.05.16	-----
NAME	ISS.	DATE	C/NOTE
APPROVED:		M.PERREN	
CHECKED:		S.BENNETT	
DRAWN:		M.PERREN	
CUSTOMER REF.:			
ASSEMBLY DRG:			

 www.harwin.com technical@harwin.com	THIS DRAWING AND ANY INFORMATION OR DESCRIPTIVE MATTER SET OUT HEREON ARE CONFIDENTIAL AND COPYRIGHT PROPERTY OF THE HARWIN GROUP AND MUST NOT BE DISCLOSED, LOANED, COPIED OR USED FOR MANUFACTURING, TENDERING OR FOR ANY OTHER PURPOSE WITHOUT THEIR WRITTEN PERMISSION.	TOLERANCES X. = ±1mm X.X = ±0.50mm X.XX = ±0.10mm X.XXX = ±0.01mm ANGLES = ±5° UNLESS STATED	MATERIAL: SEE ABOVE	TITLE: 2.00mm PITCH DIL HORIZONTAL SOCKET, SMT TAPE & REEL
		FINISH: SEE ABOVE	DRAWING NUMBER: M22-655XX42R	SHT 3 OF 4

Customer Information Sheet

DRAWING No.: M22-655XX42R

SHEET 4 OF 4

IF IN DOUBT - ASK

©

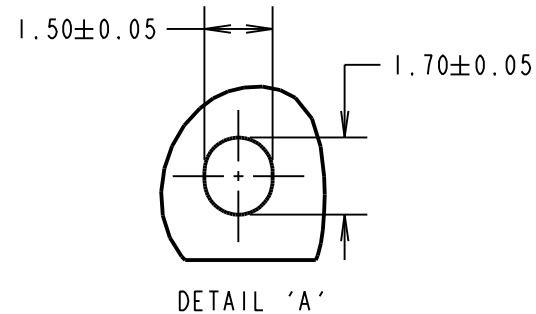
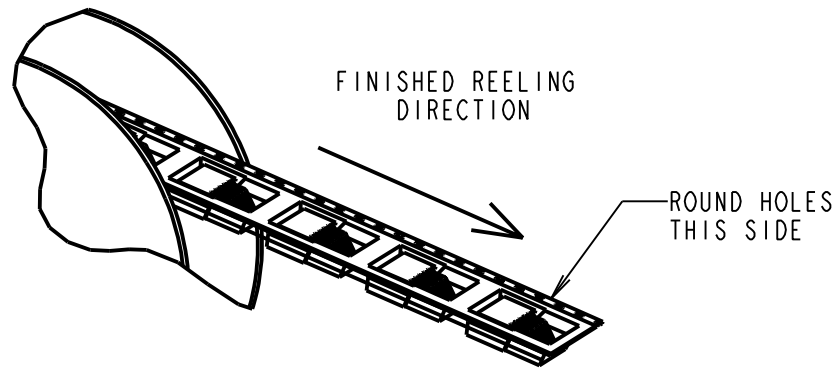
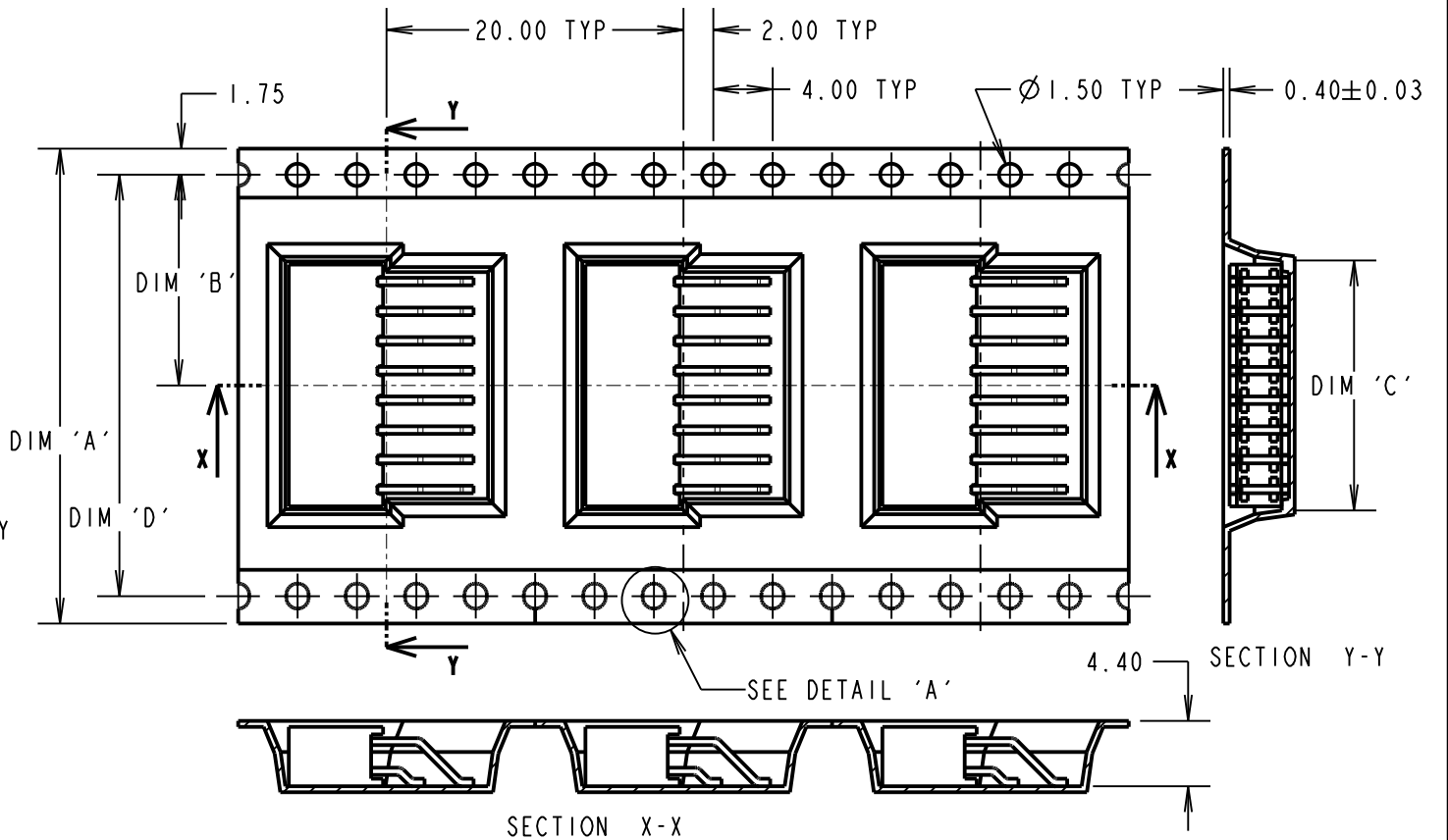
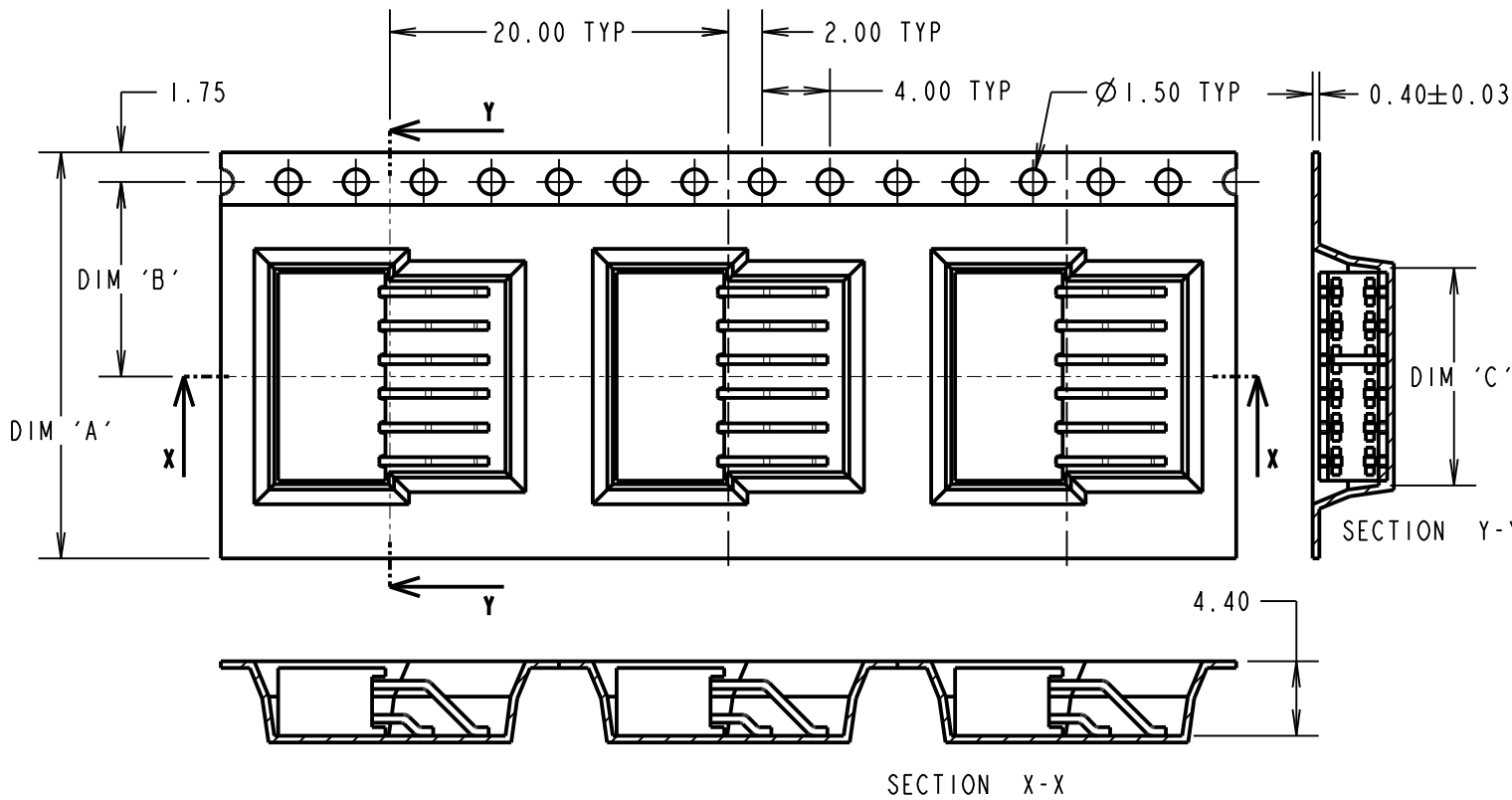
NOT TO SCALE

THIRD ANGLE PROJECTION

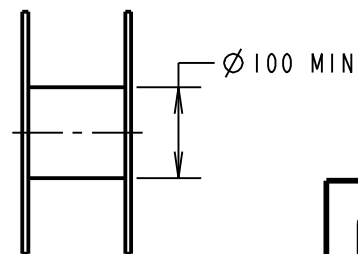
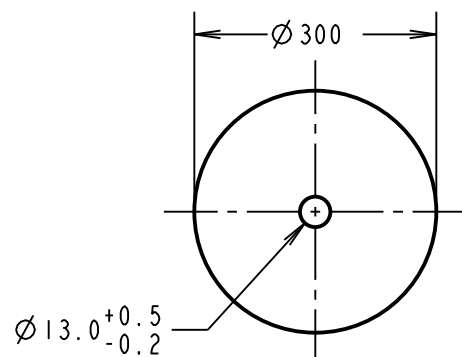
ALL DIMENSIONS IN mm

TAPE DETAILS FOR
02, 03, 04, 05 & 06 WAYS ONLY

TAPE DETAILS FOR
08 & 10 WAY ONLY



REEL DETAILS



PART No.	DIMENSION				REEL QUANTITY
	DIM 'A'	DIM 'B'	DIM 'C'	DIM 'D'	
M22-6550242R	16.00±0.30	7.50±0.15	4.70	N/A	750
M22-6550342R	24.00	11.50±0.15	6.70		
M22-6550442R			8.70		
M22-6550542R			10.70		
M22-6550642R			12.70		
M22-6650842R	32.00±0.30	14.20±0.15	16.70	28.40±0.15	
M22-6651042R	44.00±0.30	20.20±0.15	20.70	40.40	

- NOTES:
1. PRODUCT IS TAPE AND REELED IN GENERAL ACCORDANCE WITH EIA-481 (ELECTRONIC INDUSTRIES ASSOCIATION).
2. FOR CONNECTOR DETAILS AND SPECIFICATIONS, SEE SHEET 3.

MSP	1	16.05.16	-----
NAME	ISS.	DATE	C/NOTE
APPROVED: M.PERREN			
CHECKED: S.BENNETT			
DRAWN: M.PERREN			
CUSTOMER REF.:			
ASSEMBLY DRG:			

HARWIN

www.harwin.com
technical@harwin.com

THIS DRAWING AND ANY INFORMATION OR DESCRIPTIVE MATTER SET OUT HEREON ARE CONFIDENTIAL AND COPYRIGHT PROPERTY OF THE HARWIN GROUP AND MUST NOT BE DISCLOSED, LOANED, COPIED OR USED FOR MANUFACTURING, TENDERING OR FOR ANY OTHER PURPOSE WITHOUT THEIR WRITTEN PERMISSION.

TOLERANCES
X. = ±1mm
X.X = ±0.50mm
X.XX = ±0.10mm
X.XXX = ±0.01mm
ANGLES = ±5°
UNLESS STATED

MATERIAL:
SEE ABOVE
FINISH:
S/AREA: mm²

TITLE:
2.00mm PITCH DIL HORIZONTAL SOCKET, SMT TAPE & REEL

DRAWING NUMBER:
M22-655XX42R

SHT
4
OF
4