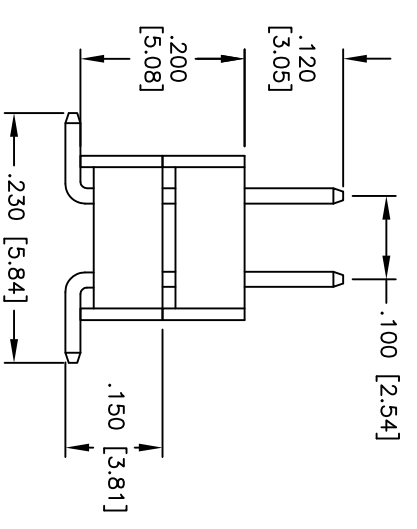
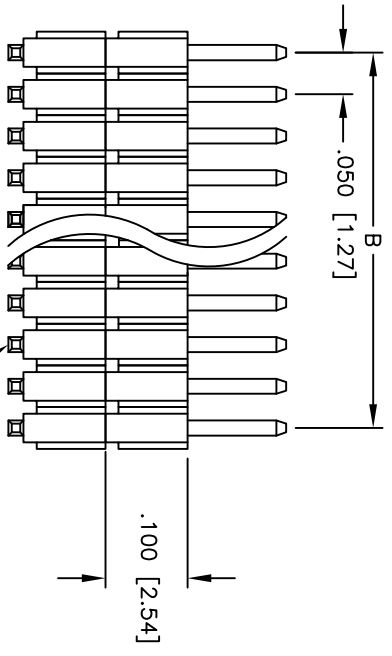
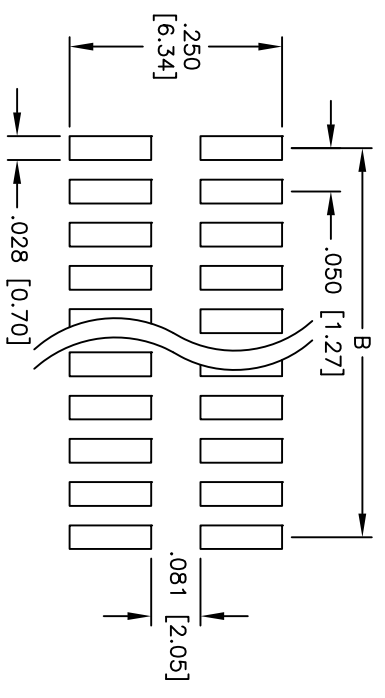
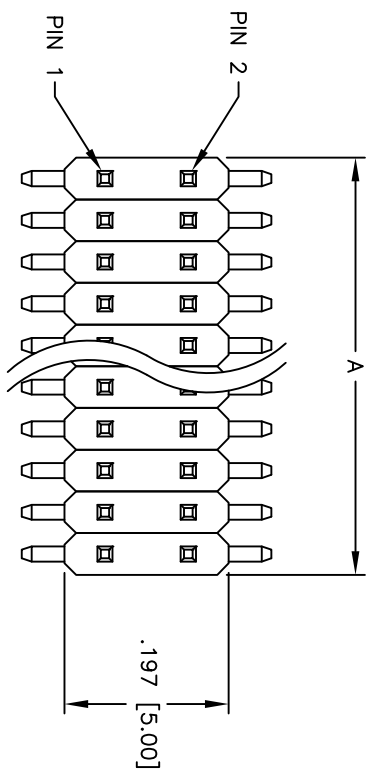


Rev	AWO #	Description	Date	Appr
-	9123	RELEASED	1/18/11	

APPROVED: _____
 DATE: _____ TITLE: _____



SPECIFICATIONS:
 Material: Nylon 6T, rated UL 94V-0
 Insulator color: Black
 Contacts: Brass
 Plating: Gold flash over Nickel underplate overall

Electrical:
 Operating voltage: 250 VAC max.
 Current rating: 1 Amp max.
 Contact resistance: 20 mohms max. initial
 Insulation resistance: 5,000 Mohms min.
 Dielectric withstanding voltage: 1,000 VAC for 1 minute
 Temperature Rating: Operating temperature: -40°C to +105°C

Environmental:
 Lead free, RoHS compliant
 Recommended soldering temp: 260°C for 5 seconds



Positions: 04 thru 100
 A = .050 [1.27] x No. of Positions Per Row
 B = .050 [1.27] x No. of Spaces

ADAM TECH
 909 Rahway Avenue, Union, NJ 07083
 Phone: 908-687-5000 Fax: 908-687-5710

TITLE: .050 [1.27] DUAL ROW PIN HEADER
 DUAL INSULATOR, SURFACE MOUNT

UNLESS OTHERWISE SPECIFIED ALL DIMENSIONS ARE INCHES [MM]		TOLERANCES: EXCEPT AS NOTED	
.X	± .10	ØXX	± .10
.XX	± .020	ØXXX	± .015
.XXX	± .015	ØXXXX	± .010
APPROVALS			
DRAWN	AY	DATE	1/18/11
CHECKED	JL	DATE	1/18/11
APPROVED		DATE	
SIZE	PART NO.	REF.	SHEET 1 OF 1
X	DHPH2-XX-U-A11038	S00039T	
SCALE:	NIS		