

PLEASE CHECK WWW.MOLEX.COM FOR LATEST PART INFORMATION

Part Number: [0005060117](#)
Status: **Active**
Overview: [flat blade](#)
Description: Flat Blade Crimp Terminal, Series 1508, Female, With Tin (Sn) Plated Brass Contact, 14-18 AWG (or 18 AWG Double Crimp), Reel Packaged

Documents:

[Drawing \(PDF\)](#) [RoHS Certificate of Compliance \(PDF\)](#)

General

Product Family	Crimp Terminals
Series	1508
Comments	(2) 18 AWG
Crimp Quality Equipment	Yes
Overview	flat blade
Product Name	Flat Blade

Physical

Gender	Female
Material - Metal	Brass
Material - Plating Mating	Tin
Material - Plating Termination	Tin
Packaging Type	Reel
Plating min: Mating (µin)	20
Plating min: Mating (µm)	0.50
Plating min: Termination (µin)	20
Plating min: Termination (µm)	0.50
Termination Interface: Style	Crimp or Compression
Wire Insulation Diameter	.79mm (.031") max.
Wire Size AWG	14, 16, 18
Wire Size mm ²	N/A

Material Info

Old Part Number 1508-0009

Reference - Drawing Numbers

Sales Drawing SD-1508-0009

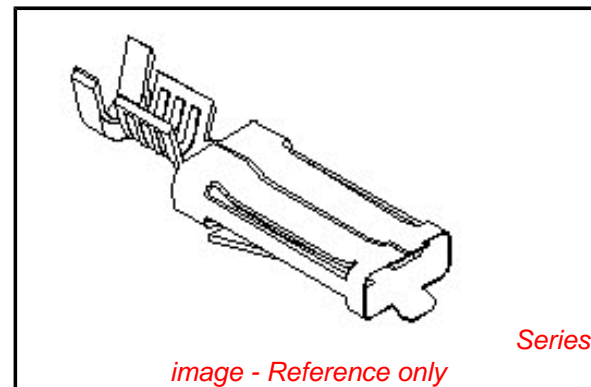


image - Reference only

EU RoHS

ELV and RoHS Compliant
REACH SVHC
Contains SVHC: No
Halogen-Free Status

China RoHS



Need more information on product environmental compliance?

Email productcompliance@molex.com
 For a multiple part number RoHS Certificate of Compliance, [click here](#)

Please visit the [Contact Us](#) section for any non-product compliance questions.

Search Parts in this Series

[1508Series](#)

Mates With

3.18mm (.125") Male Tab

Application Tooling | FAQ

Tooling specifications and manuals are found by selecting the products below. Crimp Height Specifications are then contained in the Application Tooling Specification document.

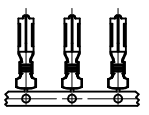
Global

Description	Product #
Mini-Mac™ Applicator, Single Wire Applications 16-20 AWG	0638941000
Mini-Mac™ Applicator, Double Crimp Applications 14 AWG	0638941100
Mini-Mac™ Applicator for	0638941200

Flat Blade Crimp Terminals, 20 AWG Double Crimp Hand Crimper	<u>0011010101</u>
Terminator Die - DOUBLES	<u>0011402117</u>
Terminator Die	<u>0011402118</u>

This document was generated on 05/17/2010

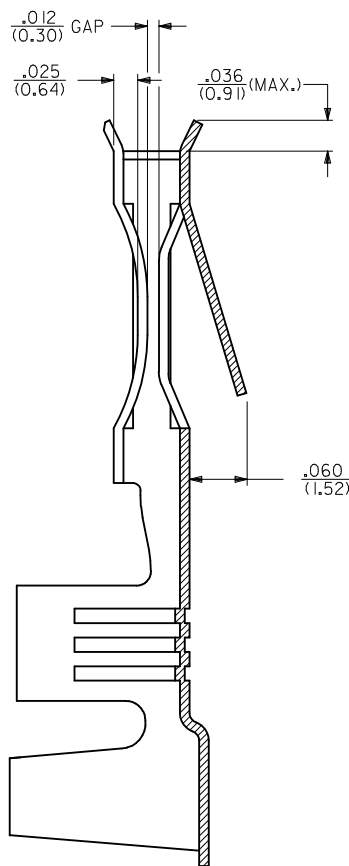
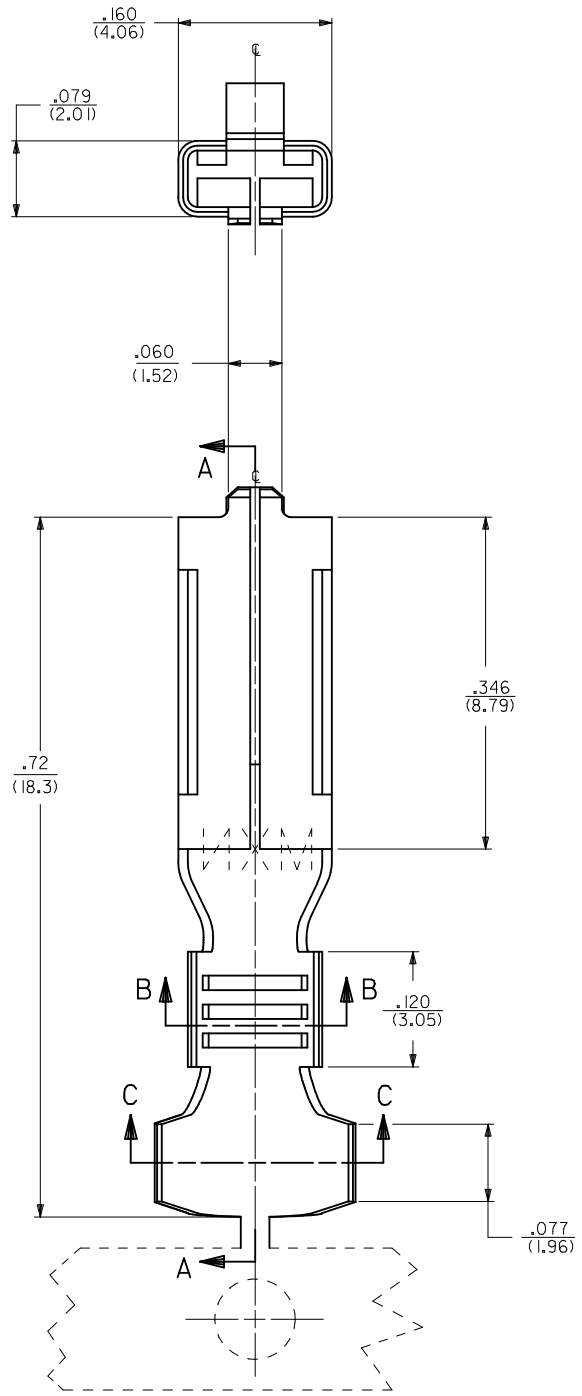
PLEASE CHECK WWW.MOLEX.COM FOR LATEST PART INFORMATION



1508-0009 CARRIER
ACTUAL SIZE IN CHAIN FORM
 SEE NOTE 3

NOTES:

1. MATERIAL:
BRASS, ALLOY #C26000 .012±.0002 (0.305±0.013) THICK.
2. PLATING:
PRETINNED, HOT TIN DIP ON STRIP,
.000020/(0.00051) MIN.
3. TERMINAL MATES WITH .020/(0.51) X .125/(3.18)
MALE SPADE.
4. FOR CRIMPING TO THE FOLLOWING WIRES:
SINGLE 14, 16 OR 18 AWG OR DOUBLE 18 OR 20 AWG
WITH .031/ (0.79) THICK INSULATION.
5. 1508-0009 CARRIER TYPE TERMINALS WOUND
ON 24 INCH REELS.



SECTION A-A

B	REVISED NOTES PER UCP2010-0217 09-07-23 CLS
A	REMOVE *X* PER EGM# U40224 94/02/16 MAB

MFG.	SH.	REV.	LTR.	REVISIONS

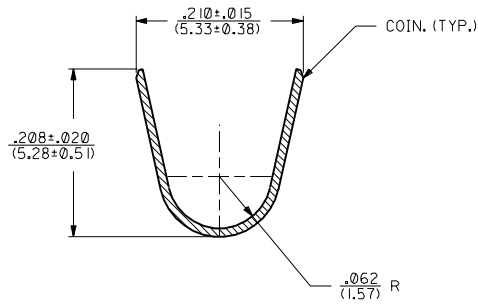


DIMENSIONS SHOWN (METRIC) INCH	
UNLESS OTHERWISE SPECIFIED TOLERANCES: ANGULAR ± 1/2°	
3 PLACE	INCH METRIC
± .010	---
± .014	± 0.25
---	± 0.35
DRAFT WHERE APPLICABLE MUST REMAIN WITHIN DIMENSIONS	
DRWG. BY: MAB	CHK'D. BY: KBP
APP'D. BY: RAS	SCALE: 10: 1

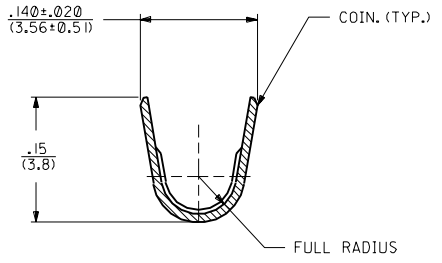
▽ = 0	▼ = 0	REVISE ONLY ON CAD SYSTEM	
TITLE: TERMINAL, OPEN END FOR .020/(0.51) X .125/(3.18) SPADE, CRIMP			
MOLEX INCORPORATED		SHEET NO. 1 OF 2	DATE 94/02/16
PART NO. SD-1508-0009		DRWG. NO. U.S.A.	
SEE SHEET 2		SD-1508-0009	
THIS DRAWING CONTAINS INFORMATION THAT IS PROPRIETARY TO MOLEX INC. AND SHOULD NOT BE USED WITHOUT WRITTEN PERMISSION.			

13 12 11 10 9 8 7 6 1508 4 3 2 1

PART NO.	ENG. NO.	FORM
005-06-0117	1508-0009	CHAIN
005-06-0118	1508-1009	LOOSE



SECTION C-C



SECTION B-B

A	SEE SHEET 1
---	-------------

DIMENSIONS SHOWN METRIC (INCH)		▽ = 0	▼ = 0	REVISE ONLY ON CAD SYSTEM													
UNLESS OTHERWISE SPECIFIED TOLERANCES: ANGULAR ± 1/2°		TITLE															
<table border="1"> <thead> <tr> <th></th> <th>INCH</th> <th>METRIC</th> </tr> </thead> <tbody> <tr> <td>3 PLACE</td> <td>± .010</td> <td>---</td> </tr> <tr> <td>2 PLACE</td> <td>± .014</td> <td>± 0.25</td> </tr> <tr> <td>1 PLACE</td> <td>---</td> <td>± 0.35</td> </tr> </tbody> </table>			INCH	METRIC	3 PLACE	± .010	---	2 PLACE	± .014	± 0.25	1 PLACE	---	± 0.35	TERMINAL, OPEN END FOR .020/(0.51) X .125/(3.18) SPADE CRIMP			
	INCH	METRIC															
3 PLACE	± .010	---															
2 PLACE	± .014	± 0.25															
1 PLACE	---	± 0.35															
DRAFT WHERE APPLICABLE MUST REMAIN WITHIN DIMENSIONS		PART NO. SEE CHART FILE NAME SD1508X10.DWG		SHEET NO. 2 DATE 94/02/16													
DRWG. BY MAB APP'D. RAS		CHK'D. BY KBP SCALE 10:1		DRWG. NO. SD-1508-0009 DIV. CP													
THIS DRAWING CONTAINS INFORMATION THAT IS PROPRIETARY TO MOLEX INC. AND SHOULD NOT BE USED WITHOUT WRITTEN PERMISSION.																	

13 12 11 10 9 8 7 6 5 4 3 2 1