

Standard Recovery Diodes (Stud and Flat Base Type), 300A

Features

- Diffused Series
- Industrial grade
- Available in Normal and Reverse polarity
- Metric and UNF thread type

Electrical Specifications ($T_C = 25^\circ\text{C}$, unless otherwise noted)			
Symbol	Parameters	Values	Units
$I_{F(AV)}$	Maximum avg. forward current @ $T_C = 150^\circ\text{C}$	300	A
V_{FM}	Maximum peak forward voltage drop @ rated $I_{F(AV)}$	1.35	V
I_{FSM}	Maximum peak one cycle (non-rep) surge current @ 10 msec	7500	A
I^2t	Maximum I^2t rating (non-rep)	240000	A^2sec

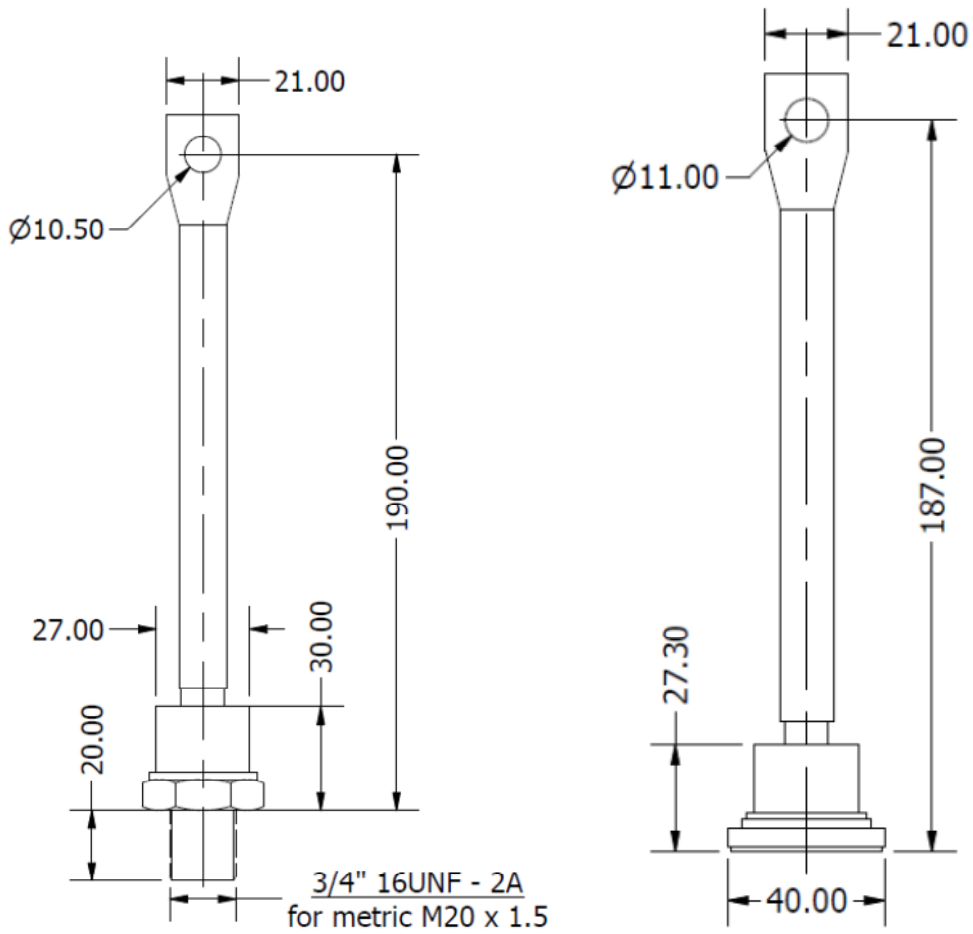


DO-205AB (DO-9)

Voltage Ratings ($T_C = 25^\circ\text{C}$, unless otherwise noted)				
Type number	Voltage Code	V_{RRM} , Maximum repetitive peak reverse voltage (V)	$V_{R(RMS)}$, Maximum RMS reverse voltage (V)	$I_{R(AV)}$, Maximum avg. reverse leakage current at T_J max (mA)
300NS(R)	10	100	70	15
	20	200	140	
	40	400	280	
	60	600	420	
	80	800	560	
	100	1000	700	
	120	1200	840	
	140	1400	980	
	160	1600	1120	
	180	1800	1270	

Thermal & Mechanical Specifications ($T_C = 25^\circ\text{C}$, unless otherwise noted)			
Symbol	Parameters	Values	Units
$R_{th(jc)}$	Maximum thermal resistance, junction to case	0.16	$^\circ\text{C}/\text{W}$
T_J	Operating junction temperature range	-50 to 150	$^\circ\text{C}$
T_{stg}	Storage temperature	-50 to 180	$^\circ\text{C}$
F	Mounting torque (non-lubricated threads)	35	Nm
W	Approximate allowable weight	250	g

Package Outline



ALL DIMENSIONS IN MM

Ordering Table

300	NS	R	120
1	2	3	4

- 1 – Current Rating = $I_F (AV)$
- 2 – Rectifier Diode
- 3 – Polarity:
 - > None = Normal (Cathode to Stud)
 - > R = Reverse (Anode to Stud)
- 4 – Voltage Code x 10 = V_{RRM} (See Voltage Ratings Table)