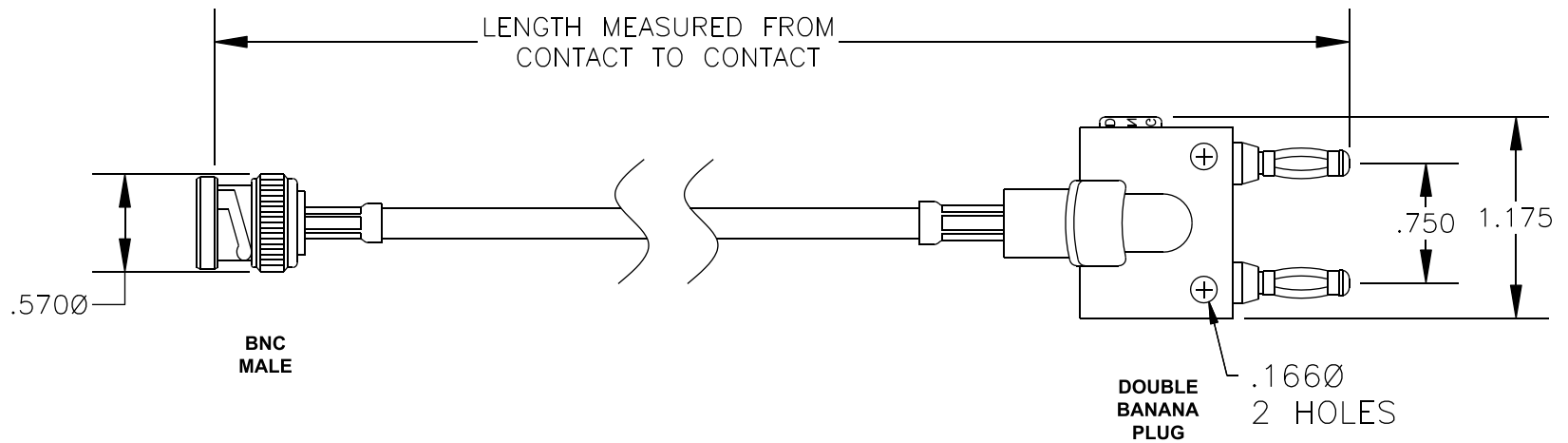


COMPONENTS	IMPEDANCE
BNC MALE	50 OHM
DOUBLE BANANA PLUG	N/A
RG58C/U	50 OHM

Standard Lengths	
-12	12"
-24	24"
-36	36"
-48	48"
-60	60"
-XXX	Custom Length in inches



PASTERNACK ENTERPRISES, INC.

P.O BOX 16759, IRVINE, CA 92623
PHONE (949) 261-1920 FAX (949) 261-7451

WEB ADDRESS: www.pasternack.com
E-MAIL ADDRESS: sales@pasternack.com

ESTABLISHED 1972

COAXIAL & FIBER OPTICS

DWG TITLE

PE3000-XX

DES.

CABLE ASSEMBLY, RG58C/U, BNC MALE
TO DOUBLE BANANA PLUG

SIZE A

FSCM NO. 53919

CAD FILE 052405

SCALE N/A

127

NOTES:

1. UNLESS OTHERWISE SPECIFIED ALL DIMENSIONS ARE NOMINAL.
2. ALL SPECIFICATIONS ARE SUBJECT TO CHANGE WITHOUT NOTICE AT ANY TIME.
3. DIMENSIONS ARE IN INCHES.
4. LENGTH TOLERANCE IS $\pm 1.5\%$ OR $\pm 3/8"$, WHICHEVER IS GREATER.