

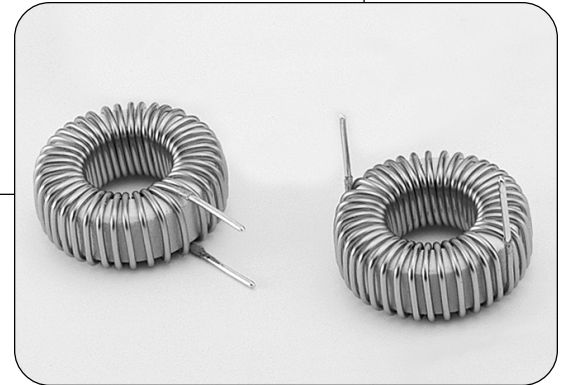
Output Power Chokes

Well suited for SMPS applications
and as a ripple filter

Closed magnetic path minimizes
external magnetic fields

Toroid design provides highest
inductance for it's size

Custom designs available



ELECTRICAL SPECIFICATIONS													
Part Number	Inductance (uH typ.)*	IDC (Amps)	Inductance No DC (uH typ.)	20kHz Test V No DC	Energy Storage (uJ)	ETOP (V-uSec)	DCR (Ohms max.)	I(L-10%) (Amps)	I(L-20%) (Amps)	I(L-30%) (Amps)	I(L-40%) (Amps)	Coil Size Code	Lead Dia. (mm)
I01-0210-01-00	210	1.5	368.2	0.146	236.3	165.6	0.304	0.37	0.69	1.08	1.45	A	0.4
I01-0450-01-00	450	1.5	710.0	0.308	506.3	330	0.450	0.34	0.77	1.13	1.59	C	0.4
I01-0950-01-00	950	1.5	1317.0	0.696	1068.8	568.7	0.673	0.7	1.1	1.6	2.1	E	0.4
I01-0120-01-00	120	2	201.1	0.108	240.0	122.4	0.133	0.65	0.99	1.5	1.86	A	0.5
I01-0250-01-00	250	2	399.4	0.231	500.0	247.5	0.217	0.5	1.11	1.6	2.1	C	0.5
I01-0485-01-00	485	2	656.2	0.492	970.0	394.8	0.294	0.84	1.5	2.3	3	E	0.5
I01-0070-01-00	70	3	115.0	0.103	315.0	110	0.068	0.7	1.3	2.1	2.7	B	0.64
I01-0145-01-00	145	3	255.6	0.185	652.5	198.0	0.109	0.71	1.33	1.96	2.6	C	0.64
I01-0285-01-00	285	3	417.5	0.392	1282.5	314.9	0.148	1.32	2.1	2.89	3.81	E	0.64
I01-0450-01-01	450	3	742.4	0.629	2025.0	504.0	0.197	0.88	1.53	2.21	2.96	G	0.64
I01-0022-01-00	22	5	33.5	0.055	275.0	59.4	0.014	1.5	2.9	4	5.2	B	1.1
I01-0055-01-00	55	5	95.8	0.130	687.5	122.1	0.040	1	2.31	3.29	4.55	D	1.1
I01-0100-01-00	100	5	156.3	0.240	1250.0	192.7	0.035	1.92	3.1	4.4	6.01	E	1.1
I01-0170-01-00	170	5	290.0	0.393	2125.0	315	0.046	1.28	2.35	3.3	4.5	G	1.1
I01-0020-01-00	20	7	34.4	0.068	490.0	72.6	0.013	1.49	3.2	4.7	6.9	C	1.3
I01-0055-01-01	55	7	95.2	0.187	1347.5	150.4	0.020	2.31	4	5.7	7.7	E	1.3
I01-0095-01-00	95	7	161.4	0.323	2327.5	236.6	0.028	1.65	3.6	5.3	7.4	H	1.3
I01-0010-01-00	10	10	16.0	0.046	500.0	49.5	0.006	1.2	4.6	7.2	10	C	1.6
I01-0020-01-01	20	10	33.6	0.111	1000.0	89.3	0.008	2.6	6.8	10	12	E	1.6
I01-0030-01-00	30	10	49.6	0.152	1500.0	122	0.009	2.1	4.7	7.5	10	F	1.6

*Measured @ rated current

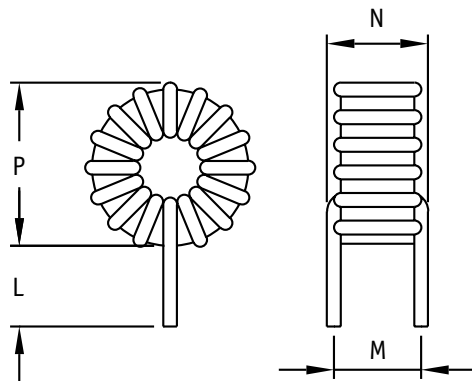
Mounting Method: Add designator to the end of P/N

S = Skewed, I = In-Line, V = Vertical

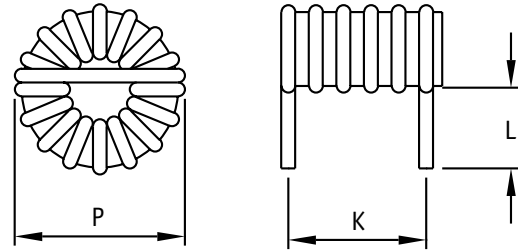
Output Power Chokes

MECHANICAL

VERTICAL MOUNT



LOW PROFILE MOUNT

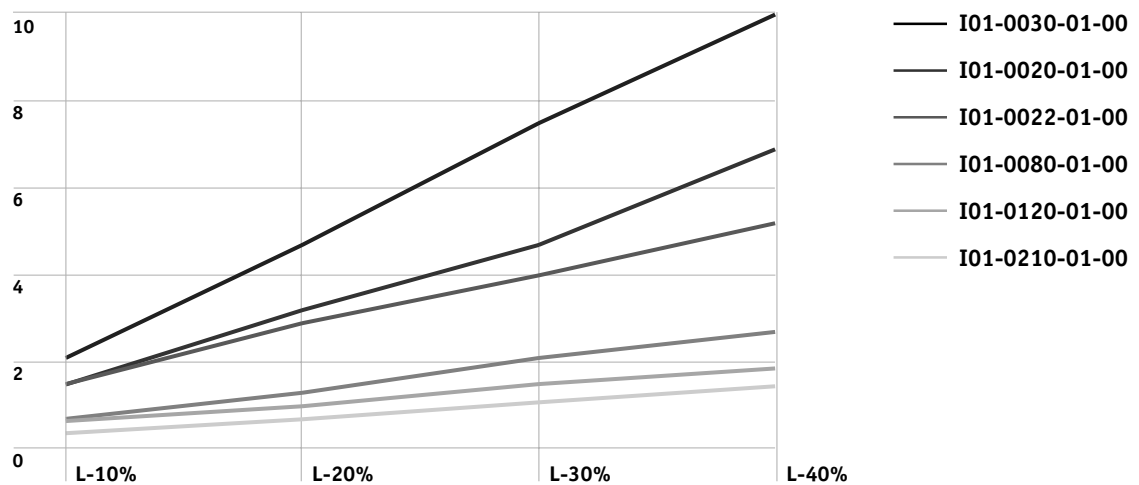


DIMENSIONS

	P (Max.)	N (Max.)	L +/- 0.04/1.0	M +/- 0.02/0.5	K +/- 0.05/1.27
A	0.78/19.81	0.32/8.13	0.375/9.53	0.298/7.57	0.758/19.25
B	0.93/23.62	0.39/9.91	0.375/9.53	0.345/8.76	0.885/19.25
C	1.06/26.92	0.54/13.72	0.375/9.53	0.48/12.19	0.997/25.32
D	1.02/25.91	0.46/11.68	0.375/9.53	0.423/10.74	0.981/24.92
E	1.30/33.02	0.7/17.78	0.375/9.53	0.655/16.64	1.237/31.42
F	1.40/35.56	0.83/21.08	0.375/9.53	0.755/19.69	1.337/33.96
G	1.46/37.08	0.69/17.53	0.375/9.53	0.645/16.38	1.415/35.94
H	1.70/43.18	0.63/16.00	0.375/9.53	0.577/14.66	1.647/41.83

in./mm

INDUCTANCE VS CURRENT



Measurements in amps