

**PLEASE CHECK WWW.MOLEX.COM FOR LATEST PART INFORMATION**

**Part Number:** [0918160024](#)  
**Status:** **Active**  
**Description:** C-Grid Vertical Header Assembly, Dual Row, 24 Circuits

**Documents:**

[3D Model](#) [Product Specification PS-91816-001 \(PDF\)](#)  
[Drawing \(PDF\)](#) [RoHS Certificate of Compliance \(PDF\)](#)

**General**

Product Family PCB Headers  
 Series 91816  
 Application Board-to-Board  
 Product Name C-Grid®

**Physical**

Breakaway No  
 Circuits (Loaded) 24  
 Circuits (maximum) 24  
 Color - Resin Black  
 Glow-Wire Compliant Yes  
 Material - Metal Brass  
 Material - Plating Mating Gold  
 Material - Plating Termination Tin-Lead  
 Material - Resin High Temperature Thermoplastic  
 Number of Rows 2  
 Orientation Vertical  
 PC Tail Length (in) 0.129 In  
 PC Tail Length (mm) 3.28 mm  
 PCB Locator No  
 Packaging Type Bag  
 Pitch - Mating Interface (in) 0.100 In  
 Pitch - Mating Interface (mm) 2.54 mm  
 Pitch - Term. Interface (in) 0.100 In  
 Pitch - Term. Interface (mm) 2.54 mm  
 Plating min: Mating (µin) 15.2  
 Plating min: Mating (µm) 0.38  
 Plating min: Termination (µin) 75.2  
 Plating min: Termination (µm) 1.88  
 Polarized to Mating Part Yes  
 Polarized to PCB No  
 Shrouded Closed Ends  
 Stackable No  
 Surface Mount Compatible (SMC) Yes  
 Temperature Range - Operating -55°C to +120°C  
 Termination Interface: Style Through Hole

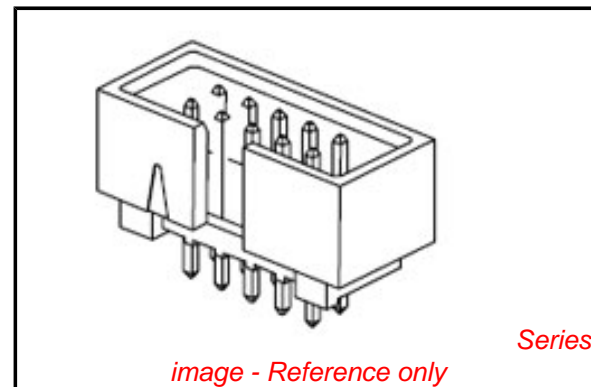
**Electrical**

Current - Maximum per Contact 2.5A  
 Voltage - Maximum 250V DC

**Material Info**

**Reference - Drawing Numbers**

Product Specification PS-91816-001  
 Sales Drawing SD-91816-001



*image - Reference only*

**EU RoHS**

**ELV and RoHS  
 Compliant**  
**REACH SVHC**  
 Not Reviewed  
**Halogen-Free  
 Status**  
**Not Reviewed**

**China RoHS**



**Need more information on product  
 environmental compliance?**

Email [productcompliance@molex.com](mailto:productcompliance@molex.com)  
 For a multiple part number RoHS Certificate of  
 Compliance, [click here](#)

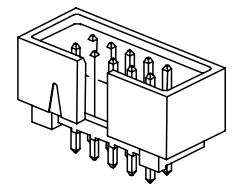
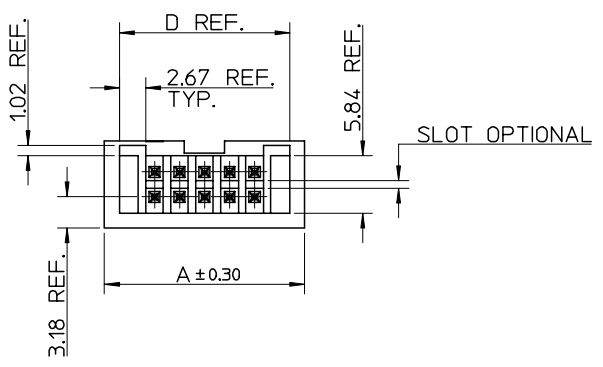
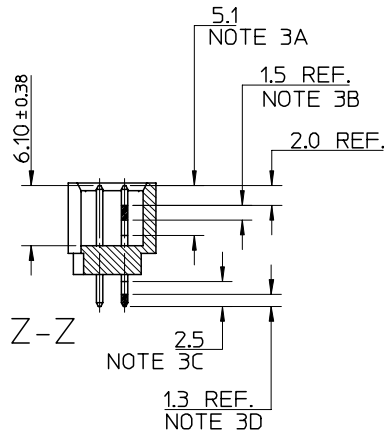
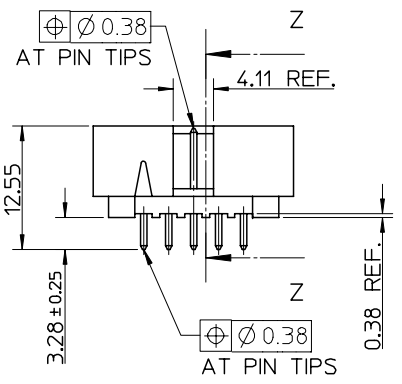
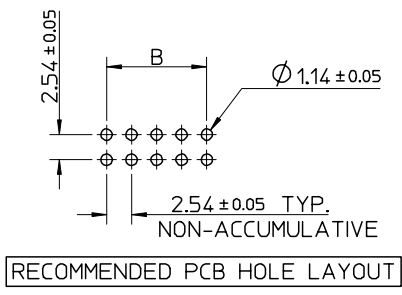
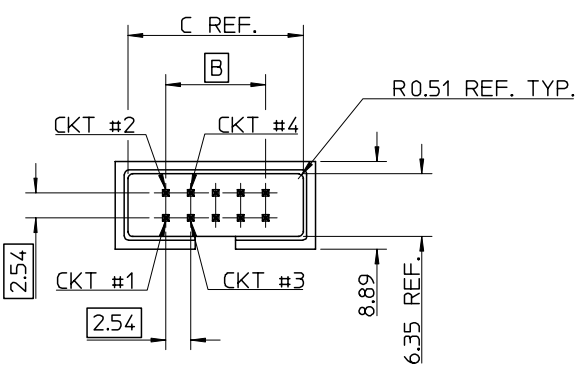
Please visit the [Contact Us](#) section for any  
 non-product compliance questions.

**Search Parts in this Series**  
 91816Series

This document was generated on 04/09/2010

**PLEASE CHECK [WWW.MOLEX.COM](http://WWW.MOLEX.COM) FOR LATEST PART INFORMATION**

10 9 8 7 6 5 4 3 2 1



PART NUMBER	NO. OF CKTS	DIM A	DIM B	DIM C	DIM D
91816-0008	8	17.78	7.62	15.24	14.73
91816-0010	10	20.32	10.16	17.78	17.27
91816-0012	12	22.86	12.70	20.32	19.81
91816-0014	14	25.40	15.24	22.86	22.35
91816-0016	16	27.94	17.78	25.40	24.89
91816-0020	20	33.02	22.86	30.48	29.97
91816-0024	24	38.10	27.94	35.56	35.05
91816-0026	26	40.64	30.48	38.10	37.59
91816-0030	30	45.72	35.56	43.18	42.67
91816-0034	34	50.80	40.64	48.26	47.75
91816-0040	40	58.42	48.26	55.88	55.37

- NOTES:
- MATERIALS:  
HOUSING: PCT, 30% GLASS FILLED, UL94 V-0, COLOUR BLACK.  
PIN: BRASS, 0.64mm SQUARE REF.
  - PLATING:  
CONTACT AREA: 0.38um GOLD MIN. OVER 1.27um NICKEL MIN.  
SOLDER AREA: 1.9um TIN MIN. OVER 1.27um NICKEL MIN.
  - DIMENSIONS FOR PLATING LOCATIONS:  
3A: MINIMUM COVERAGE OF GOLD PLATING (CONTACT AREA).  
3B: THICKNESS AND POROSITY MEASURING ZONE FOR GOLD.  
3C: MINIMUM COVERAGE OF TIN PLATING (SOLDER AREA).  
3D: THICKNESS MEASURING ZONE FOR TIN.
  - CONFORMS TO PRODUCT SPECIFICATION PS-91816-001.
  - SEE PK-91816-001 FOR PACKAGING DETAILS.
  - COLOUR VARIATION MAY BE VISIBLE ON HOUSING SURFACES.

ORIGINAL RELEASE EC NO: E2007-0616 DRWN: DENNEHY 2007/02/14 CHKD: DWASZKIEWICZ 2007/02/14 APPR: DENNEHY 2007/02/15	QUALITY SYMBOLS ▽=0 ▽=0	GENERAL TOLERANCES (UNLESS SPECIFIED)		DIMENSION STYLE MM ONLY		SCALE 2:1	DESIGN UNITS METRIC	THIRD ANGLE PROJECTION	
		4 PLACES ± --- ± --- 3 PLACES ± --- ± --- 2 PLACES ± 0.2 ± --- 1 PLACE ± 0.3 ± --- ANGULAR ± 2 °		DRAWN BY DATE JDENNEHY 2007/01/22		TITLE C-GRID SHROUDED HEADER SLOTTED W/O STANDOFFS ROHS COMPATIBLE			
		DRAFT WHERE APPLICABLE MUST REMAIN WITHIN DIMENSIONS		APPROVED BY DATE DWASZKIEWICZ 2007/01/23		MOLEX INCORPORATED			
		SIZE A3		SEE CHART		MATERIAL NO. DOCUMENT NO. SD-91816-001		SHEET NO. 1 OF 1	

9 8 7 6 5 4 3 2 1