



2.54 mm (.100") Pitch

MOST Receptacle Housing with Connectors and Cable Cover

- 98681 – Frame Receptacle**
- 98684 – Receptacle Housing**
- 98685 – Power Connector**
- 98660 – Cable Cover**



MOST Receptacle Housing with 8-Circuit Power Connector and 12-Circuit Receptacle Housings and Strain Relief Cable Cover

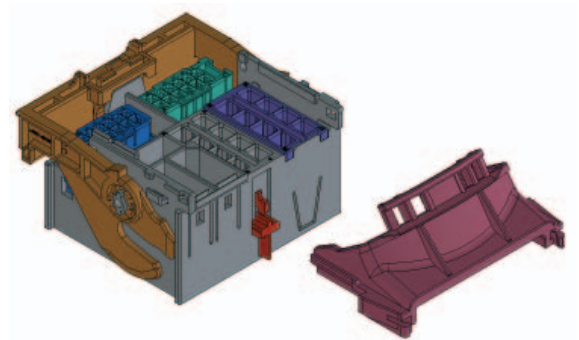
MOST stands for Media Oriented System Transport. The MOST frame receptacle connector on the wire harness side offers the terminal cavities for Molex 0.635 mm MOX terminals and for 2.80 mm Tyco MPQ terminals. The MOST receptacle 98681 can be populated up to 44 circuits, 40 electrical and 4 optical. Please be informed that Molex does not offer the terminals for the 4 plastic optical fibre options. 8 terminal cavities are molded with the MOST receptacle connector frame. The other terminals fit into 3 separate plastic housings clipping into the frame. The part numbers are 98685-1001, 98684-0001 and 98684-0002. A strain relief cover is available; part number is 98660-0001.

The MOST Receptacle Housing 98684 offers 12 terminal cavities for our 0.64 mm MOX terminals (98658). The terminal position assurance is molded as one piece housing with hinge. There are two keyings available with difference in color. These keyings correlate to the two openings in MOST Master Frame.

The MOST Power Connector 98685 is designed with 8 terminal cavities for 2.80 mm Tyco MPQ terminals. The terminal position assurance is pre-assembled in pre-locking position.

Features and Benefits

- MOST corporation interface meets MOST specification
- Drop in replacement for competitor parts
- Offers integrated 4 Plastic Optical Fibre slots, but Molex does not offer the POF connector
- Lead free product and lead free process capable
- Color coding and mechanical keying at 98684-series
- Strain Relief cable cover enables right angle wire output and strain relief when wrapped with cable tie



SPECIFICATIONS

Reference Information

Mates With: 98684-0001, 98684-0002, 98685-1001, 91500/91547
Designed In: Millimeters

Electrical

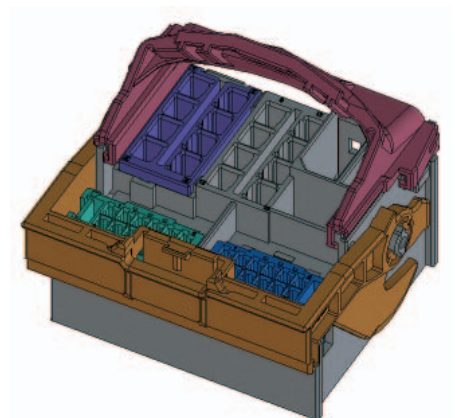
Voltage: 9 V to 16 V
Current: 7.5 A/24 A
Contact Resistance: <5 mOhm
Insulation Resistance: 200 MOhm at 500 V DC

Mechanical

All according to USCAR
Contact Insertion Force:
 <1 mm² <15N
 >1 mm² <30N
Contact Retention to Housing:
 primary lock >60N
 secondary lock >90N
Mating Force: 75N max.
Unmating Force: 75N max.

Physical

Housing: SPS/PA66 20% Glassfill
Contact: see specification of MOX or Tyco MPQ terminals
Plating: see specification of MOX or Tyco MPQ terminals
Operating Temperature: -40 to 85 °C



MARKETS AND APPLICATIONS



2.54 mm (.100") Pitch

MOST Receptacle Housing with Connectors and Cable Cover

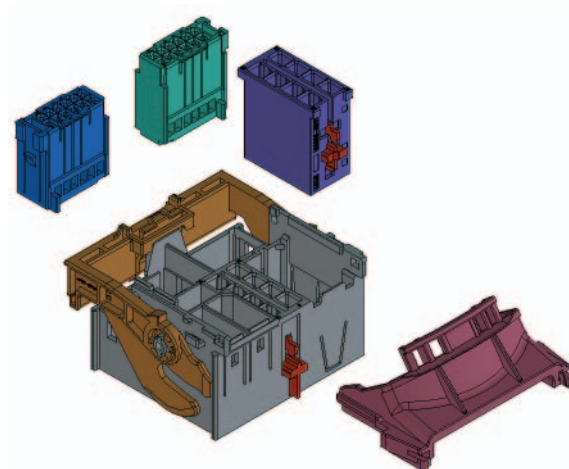
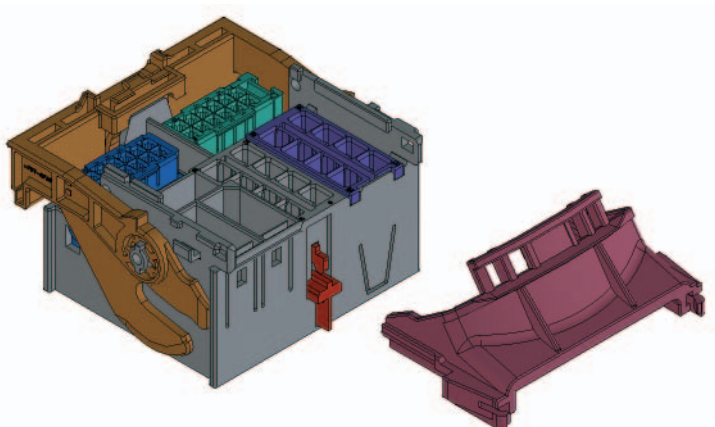
- Consumer Automotive
 - Car Stereo
 - Navigation Systems
- Transport Non-Automotive (Trucks, Bus, Agriculture Equipment, etc.)
 - Audio System
 - Navigation System
- Marine Radio



- 98681 – Frame Receptacle**
- 98684 – Receptacle Housing**
- 98685 – Power Connector**
- 98660 – Cable Cover**

ORDERING INFORMATION

Order No.	Description
98681-1001	MOST Frame Receptacle Housing, 40 electrical and 4 optical Circuits, Black, with strain relief option
98681-1002	MOST Frame Receptacle Housing, 44 Circuits, Black, w/o strain relief option
98684-0001	MOST Receptacle Housing for 0.64 mm Terminals, TPA, Key A, Black, 12 Circuits
98684-0002	MOST Receptacle Housing for 0.64 mm Terminals, TPA, Key B, Natural, 12 Circuits
98685-1001	MOST Receptacle Power Connector for 2.80 mm Terminals, with TPA, Black, 8 Circuits
98660-0001	MOST Strain Relief Cable Cover



Americas Headquarters
Lisle, Illinois 60532 U.S.A.
1-800-78MOLEX
amerinfo@molex.com

Far East North Headquarters
Yamato, Kanagawa, Japan
81-462-65-2324
feninfo@molex.com

Far East South Headquarters
Jurong, Singapore
65-6-268-6868
fesinfo@molex.com

European Headquarters
Munich, Germany
49-89-413092-0
eurinfo@molex.com

Corporate Headquarters
2222 Wellington Ct.
Lisle, IL 60532 U.S.A.
630-969-4550
Fax:630-969-1352