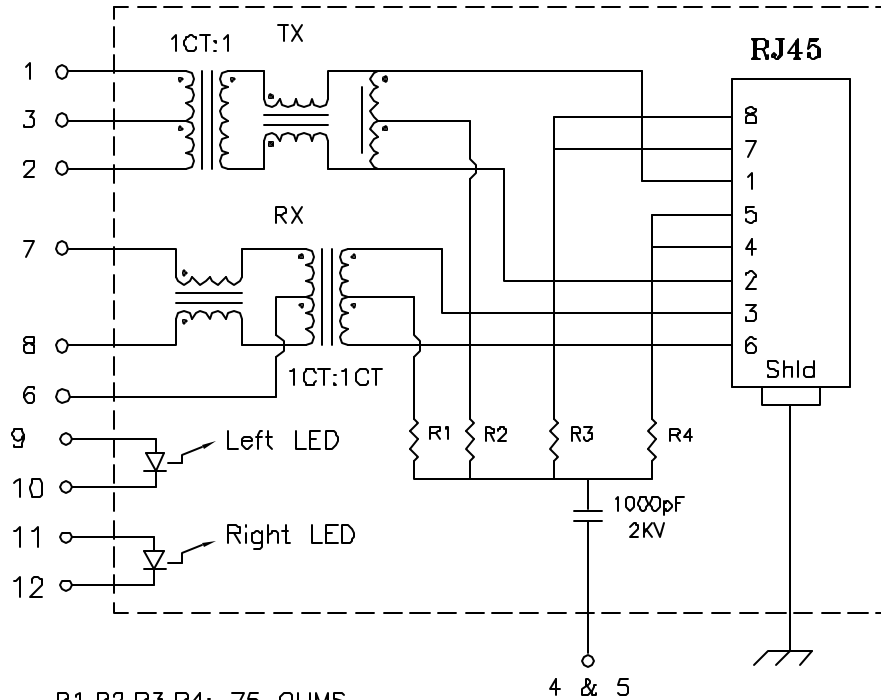


Schematic:



R1,R2,R3,R4: 75 OHMS

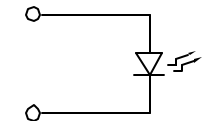
Electrical Specifications: @25°C

- Isolation Voltage: 1500 Vrms (INPUT to OUTPUT)
- Isolation Voltage: 500 Vrms (1+2+3 to 6+7+8)
- URNS RATIO: TX 1CT:1 ±5% RX 1CT:1CT ±5%
- OCL: 350uH Minimum @100KHz 100mV 8mADC
- Insertion Loss (1MHz-100MHz): -1.1dB Max
- Return Loss: 30MHz -16dB Typical
- 60MHz -14dB Typical
- 80MHz -12dB Typical
- CROSSTALK: 1MHz-100MHz -35dB Minimum
- CMRR: 1MHz-100MHz -35dB Minimum

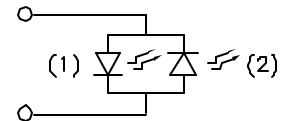
Complete the Combo P/N as follows:

Replace 'x' & 'u' in the part number with one of the LED color letters:
 Y=Yellow
 G=Green
 A=Amber
 R=Red
 C=Green(1)/Amber(2) Bicolor
 D=Amber(1)/Green(2) Bicolor
 M=Green(1)/Yellow(2) Bicolor
 N=Yellow(1)/Green(2) Bicolor
 P=Red(1)/Green(2) Bicolor
 Q=Green(1)/Red(2) Bicolor

Single Color LED:



Bi-Color LED:



Notes:

1. Solderability: Leads shall meet MIL-STD-202G, Method 208H for solderability.
2. Flammability: UL94V-0
3. ASTM oxygen index: > 28%
4. Insulation System: Class F 155°C. UL file E151556
5. Operating Temperature Range: All listed parameters are to be within tolerance from -40°C to +85°C
6. Storage Temperature Range: -55°C to +125°C
7. Aqueous wash compatible
8. Electrical and mechanical specifications 100% tested
9. RoHS Compliant Component

DOC. REV: A/2

XFMRs Inc.
www.XFMRs.com

Title:
VERTICAL MOUNT COMBO

UNLESS OTHERWISE SPECIFIED
TOLERANCES:
.xxx ±0.010
Dimensions in Inch

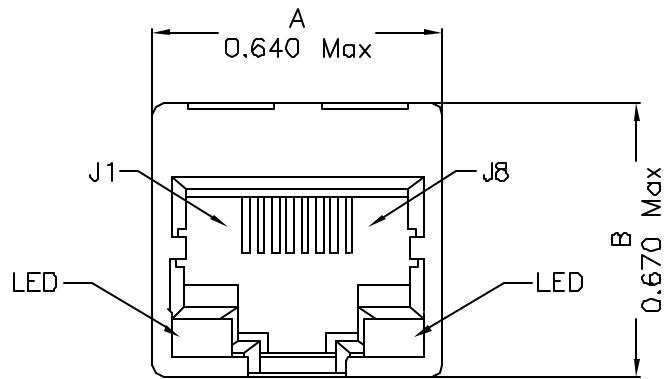
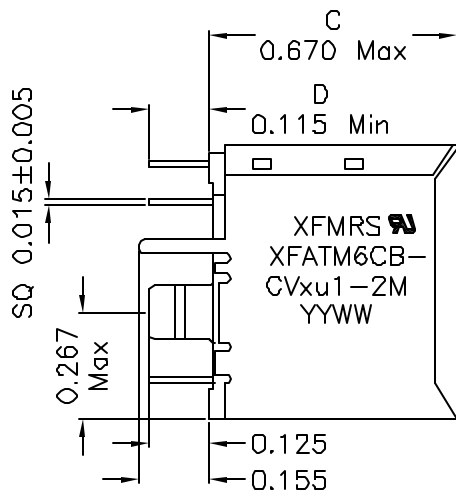
P/N: XFATM6CB-CVxu1-2M	REV. A
DWN. Juan Mao	Nov-22-07
CHK. YK Liao	Nov-22-07
APP. BW	Nov-22-07

SHEET 1 OF 2

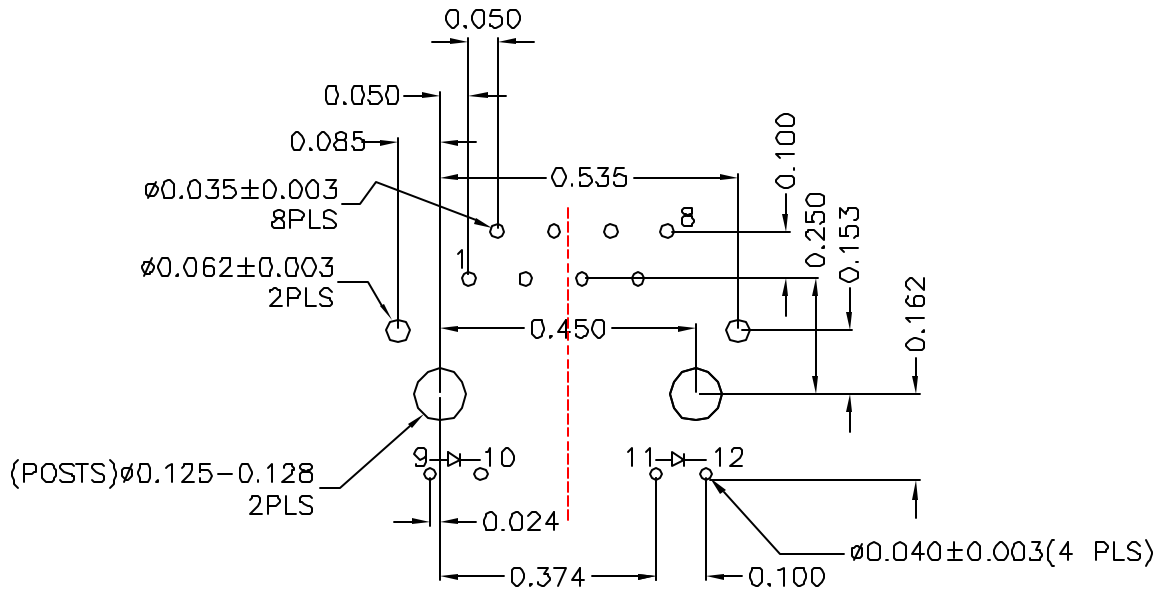
PROPRIETARY:

Document is the property of XFMRs Group & is not allowed to be duplicated without authorization.

Mechanical Dimensions:



Mounting Pattern:



P.C.B. RECOMMENDED HOLE LAYOUT

DOC REV: A/2

PROPRIETARY

Document is the property of XFMRS Group & is not allowed to be duplicated without authorization.

XFMRS Inc. www.XFMRS.com	Title: Mechanical Dimensions For CVxu1-2M Series		
	UNLESS OTHERWISE SPECIFIED TOLERANCES: .xxx ±0.010 Dimensions in Inch	P/N: XFATM6CB-CVxu1-2M	REV. A
	DWN.	Juan Mao	Nov-26-07
	CHK.	YK Liao	Nov-26-07
SHEET 2 OF 2	APP.	BW	Nov-26-07