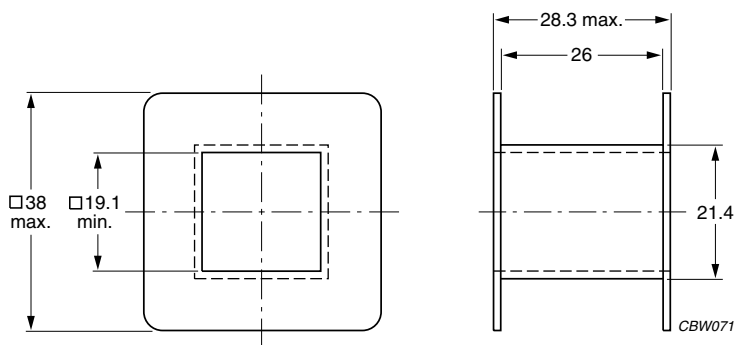


COIL FORMERS

General data for E56/24/19 coil former without pins

PARAMETER	SPECIFICATION
Coil former material	polyamide (PA6.6), glass reinforced, flame retardant in accordance with "UL 94V-2"; UL file number E41938(M)
Maximum operating temperature	130 C, "IEC 60085", class B



Dimensions in mm.

Fig.2 E56/24/19 coil former.

Winding data for E56/24/19 coil former without pins

NUMBER OF SECTIONS	MINIMUM WINDING AREA (mm ²)	NOMINAL WINDING WIDTH (mm)	AVERAGE LENGTH OF TURN (mm)	TYPE NUMBER
1	222	26.1	112	CP-E56/24/19-1S