

801-084 and 801-085
SuperSeal™ Mighty Mouse Series 801 Receptacles
 with Micro "AB" USB Receptacle with
 Rear Crimp Contact Wire Termination



Square Flange Mount, Micro AB USB Receptacle

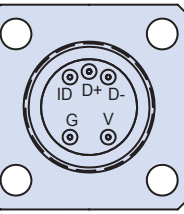
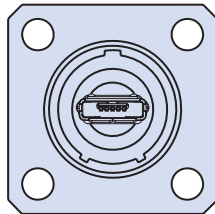
Rear Panel Jam Nut Mount, Micro AB USB Receptacle



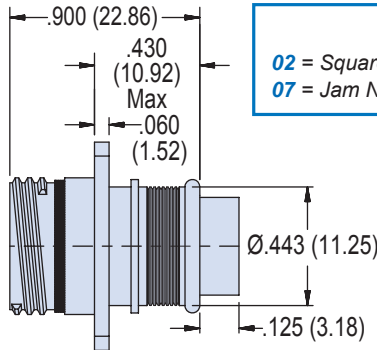
Micro-AB USB accepts both Micro-A and Micro-B plugs.



Crimp Termination Rear View



Rear Grommet View



801-084-02

Square Flange Mount Receptacle with Shield Termination Porch

801-084 - 02 MUSB - M A

Basic Number

801-084 = Shield Termination Porch
 801-085 = Accessory Threads

Finish

NF = Cadmium Olive Drab
 M = Electroless Nickel
 MT = Nickel PTFE
 ZNU = Black Zinc Nickel

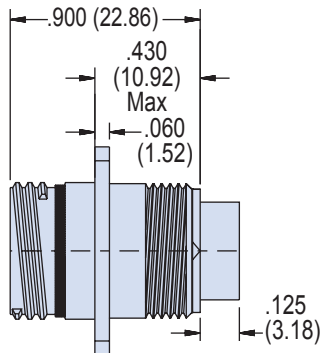
Shell Style

02 = Square Flange Mount Receptacle
 07 = Jam Nut Mount Receptacle

Alternate Key Position

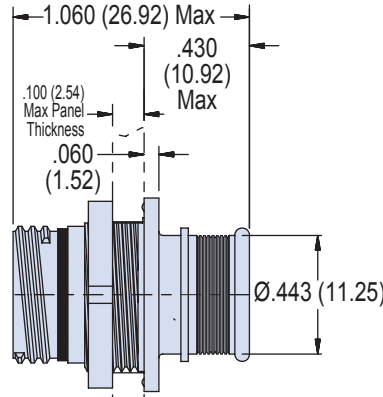
A, B, C, D, E, F

These Micro AB Receptacles Mate with Glenair Plugs 801-082, 801-083, 801-087 and 801-088



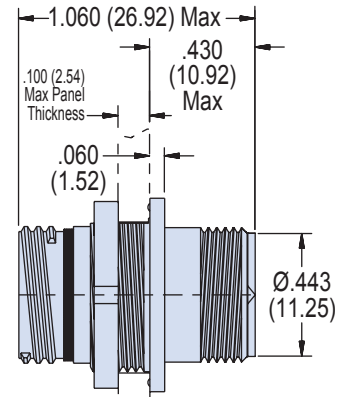
801-085-02

Square Flange Mount Receptacle with Accessory Threads



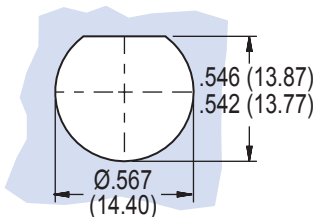
801-084-07

Jam Nut Mount Receptacle with Shield Termination Porch



801-085-07

Jam Nut Mount Receptacle with Accessory Threads



Recommended Panel Cutout

Schematic

| Rear Grommet Side | | Mating Side | |
|-------------------|-------------------|-------------|---------------------------|
| LABEL | Cable Color (Typ) | ID. | Micro USB Pin Description |
| V | RED | 1 | V BUS |
| G | BLACK | 2 | D- |
| D- | WHITE | 3 | D+ |
| D+ | GREEN | 4 | ID |
| ID | NONE | 5 | GND |

Shell Ground

