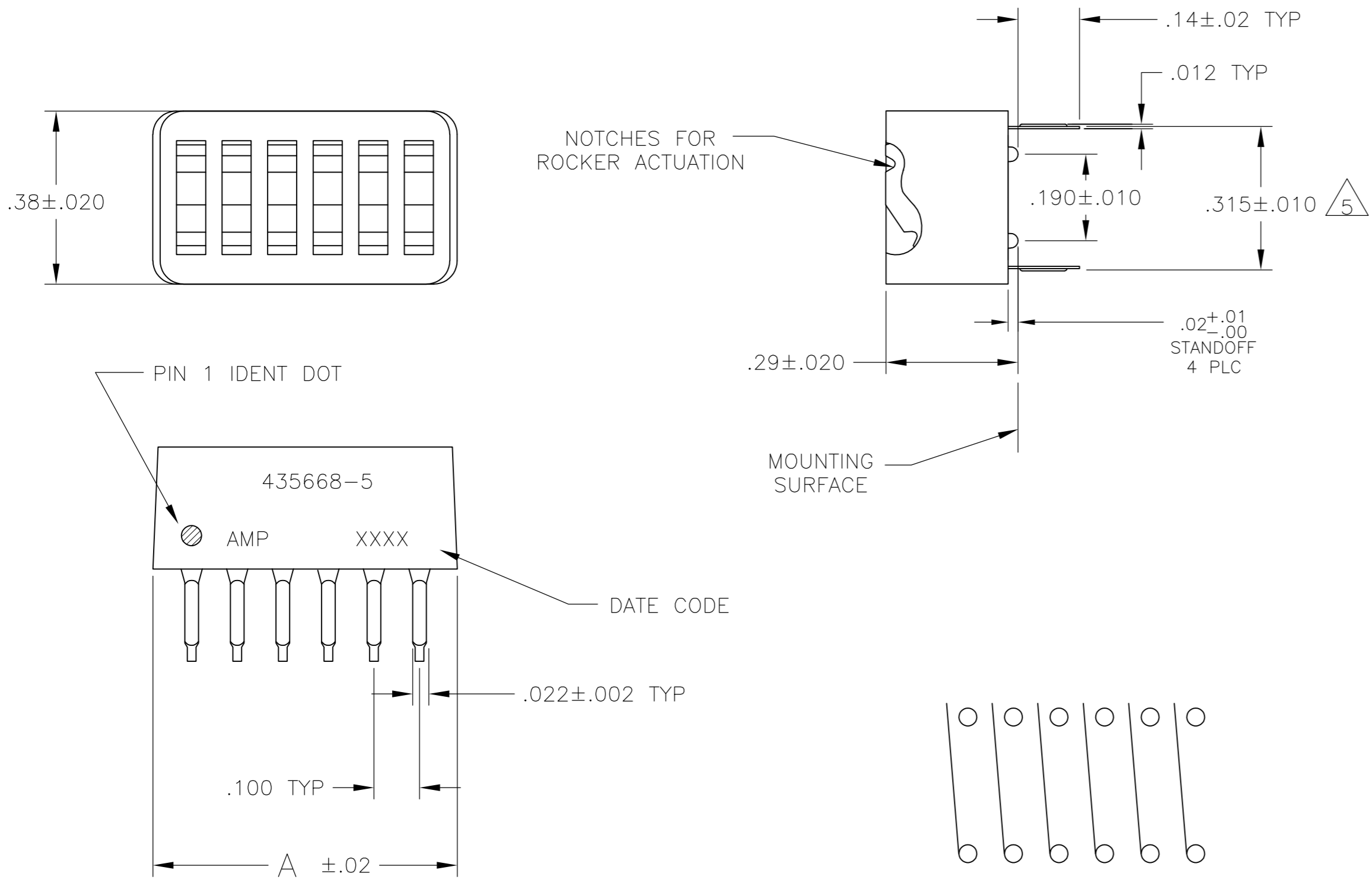


THIS DRAWING IS UNPUBLISHED. RELEASED FOR PUBLICATION
 © COPYRIGHT BY TYCO ELECTRONICS CORPORATION. ALL RIGHTS RESERVED.

LOC	DIST	REVISIONS			
P	LTR	DESCRIPTION	DATE	DWN	APVD
AD	00				
	A	ECO-05-10251	28SEP05	RB	MS
	A1	REVISED PER ECO-09-024927	10NOV09	KK	AEG



- FOR ADDITIONAL SPECIFICATIONS SEE AMP PRODUCT SPEC 108-7532.
- SWITCH SHOWN IN OPEN POSITION.
- ALL CHARACTERS AND ROCKERS ARE WHITE, HOUSING IS BLUE.
- STAMPING WILL VARY ON 2 AND 3 POSITION SIDES DUE TO SPACE RESTRICTIONS.
- .315 DIMENSION APPLIES AT TERMINAL TIPS. TERMINALS ARE .300 +.010 AT MOUNTING SURFACE. -.000
- ALL MATERIALS AND FINISHES SHALL COMPLY WITH EU DIRECTIVE 2002 /95/EC OF 27JAN2003 (ROHS).
- MATERIAL: HOUSING AND ROCKERS - POLYESTER CONTACT & SOLDER LEAD - COPPER ALLOY
- FINISH: CONTACT - GOLD OVER NICKEL SOLDER LEAD - TIN OVER NICKEL
- OBSOLETE PARTS: OBSOLETE CIS STREAMLINING PER D.RENAUD/D.SINISI

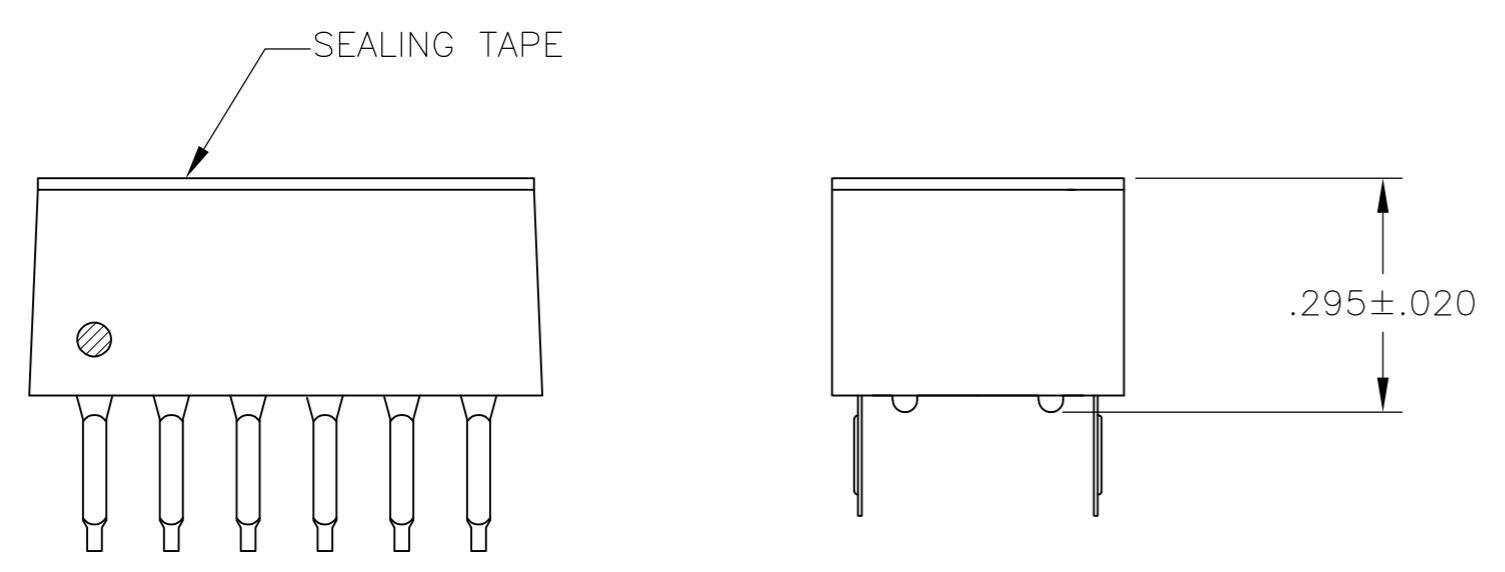
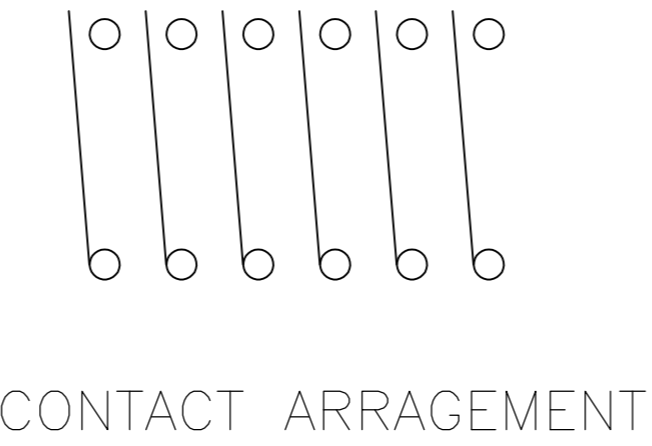
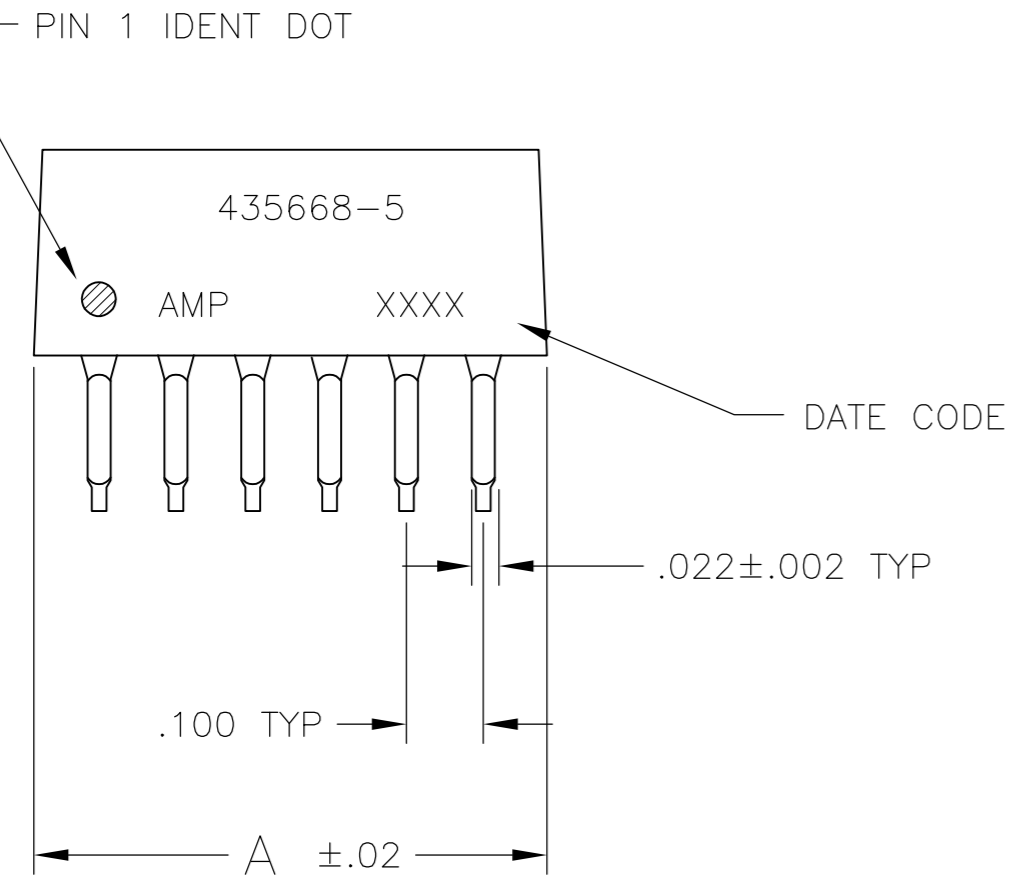


FIG 1

FIG	DESCRIPTION	DATE	BY	CHK	APVD	NO OF POSN	PART NO
7	OBSOLETE	FIG 7					
1	OBSOLETE	FIG 1	.58	5		8-5435668-7	
			.58	5		3-5435668-5	
			.48	4		3-5435668-4	
			.38	3		3-5435668-3	
			1.28	12		3-5435668-2	
			1.18	11		3-5435668-1	
			1.08	10		3-5435668-0	
			.98	9		2-5435668-9	
			.88	8		2-5435668-8	
			.78	7		2-5435668-7	
2	OBSOLETE	FIG 2	.28	2		2-5435668-6	
			.68	6		2-5435668-5	
			1.08	10		5435668-9	
			.88	8		5435668-7	
			.68	6		5435668-5	
MARKING	OBSOLETE	MARKING	.58	5		5435668-4	
			.48	4		5435668-3	
			.28	2		5435668-1	

THIS DRAWING IS A CONTROLLED DOCUMENT.		DWN BSV	OBJAN05	Tyco Electronics Corporation Harrisburg, Pa 17105-3608	
DIMENSIONS: INCHES	TOLERANCES UNLESS OTHERWISE SPECIFIED:	CHK -	APVD -	NAME	
 0 PLC ± - 1 PLC ± - 2 PLC ± - 3 PLC ± .005 4 PLC ± - ANGLES ± -	FINISH	PRODUCT SPEC -	APPLICATION SPEC -	SIZE	RESTRICTED TO
	MATERIAL	WEIGHT -	SCALE	CAGE CODE	DRAWING NO
	 	CUSTOMER DRAWING	SCALE 4:1	00779	C=5435668
			SHEET 1 OF 2	REV A1	

THIS DRAWING IS UNPUBLISHED. RELEASED FOR PUBLICATION
 © COPYRIGHT BY TYCO ELECTRONICS CORPORATION. ALL RIGHTS RESERVED.

LOC	DIST	REVISIONS			
P	LTR	DESCRIPTION	DATE	DWN	APVD
AD	00	SEE SHEET 1	-	-	-

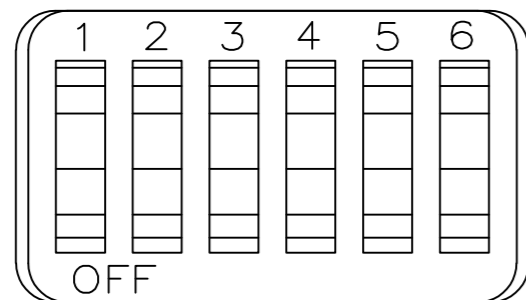


FIG 2

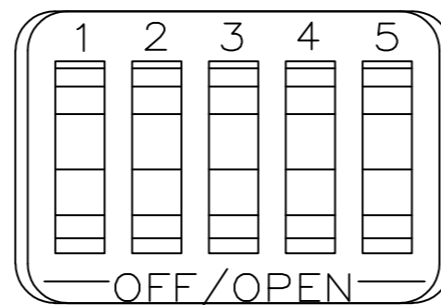


FIG 7

THIS DRAWING IS A CONTROLLED DOCUMENT.		DWN BSV	08JAN05	Tyco Electronics Corporation Harrisburg, Pa 17105-3608	
DIMENSIONS: INCHES		CHK -	-	NAME SWITCH ASSY, DIP, TYPE C, 7100 SERIES, SPST, LOW PROFILE	
		APVD -	-	SIZE A2	
TOLERANCES UNLESS OTHERWISE SPECIFIED:		PRODUCT SPEC -	-	CAGE CODE 00779	DRAWING NO C=5435668
0 PLC ± -		APPLICATION SPEC -	-	RESTRICTED TO -	
1 PLC ± -		WEIGHT -	-	SCALE 4:1	SHEET 2 OF 2
2 PLC ± -		CUSTOMER DRAWING		REV A1	
3 PLC ± .005					
4 PLC ± -					
ANGLES ± -					
FINISH -					