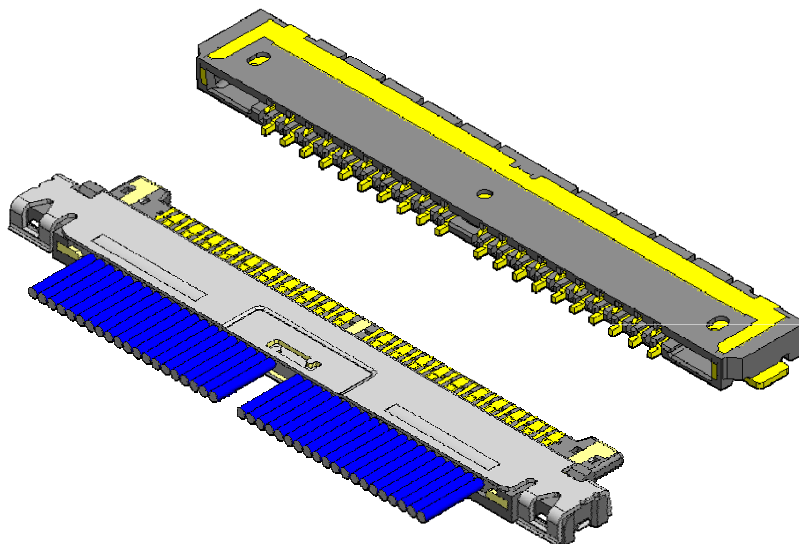


NEW
Fine-wire Coaxial Connector
For Compact Mobile Devices**FI-JHS Series**

CONNECTOR

MB-0235-1

September 2011

RoHS Compliant

Along with the size minimization and slimming of small portable devices such as mobile phones, high-speed signal transmission inside these devices is increasing due to higher performance and the incorporation of multiple functions.

The "FI-JHS Series" is a 0.8mm mounting height, 0.25mm contact pitch, horizontal connecting fine-wire coaxial connector designed to meet the demand for more compact, lower profile connectors with anti-noise performance.

Features

- 0.25mm pitch horizontal connection to allow for minimization and slimming.
- Mated dimensions of 3.90mm depth, 14.55mm width (for 40 position), and 0.8mm max. height.
- Enhanced connection stability with gold plated ground contact points on plug and receptacle.
- Enhanced mating guides to prevent reverse mating.
- Plug connector ground bar is a common type to improve workability. (Same ground bar as FI-JP and FI-JZ Series).
- Applicable wire: compatible with 44AWG (Note 1) , 46AWG fine-wire coaxial.
Note 1: Applies to 0.25mm max. cable outer diameter.
- Stepped contact locking structure on plug contacts for enhanced retention.
- Supports automated mounting with embossed tape for receptacle
- Solder migration prevention structure with Ni barrier on receptacle

General Specifications

- | | |
|---|---|
| <ul style="list-style-type: none"> ■No. of Contacts: 40 pos. ■Contact Resistance: <ul style="list-style-type: none"> 70mΩ max. (initial) 100mΩ max. (after test) variation 60mΩ max. ■Dielectric Withstanding Voltage: <ul style="list-style-type: none"> AC 100Vr. m.s per minute | <ul style="list-style-type: none"> ■Rated Current: AC, DC each 0.2A per pos. ■Rated Voltage: AC, DC each 50V per pos. ■Insulation Resistance: 10MΩ min. (after test) ■Durability: 20 mating cycles ■Operating Temperature: <ul style="list-style-type: none"> -40 Deg. C to +85 Deg. C |
|---|---|

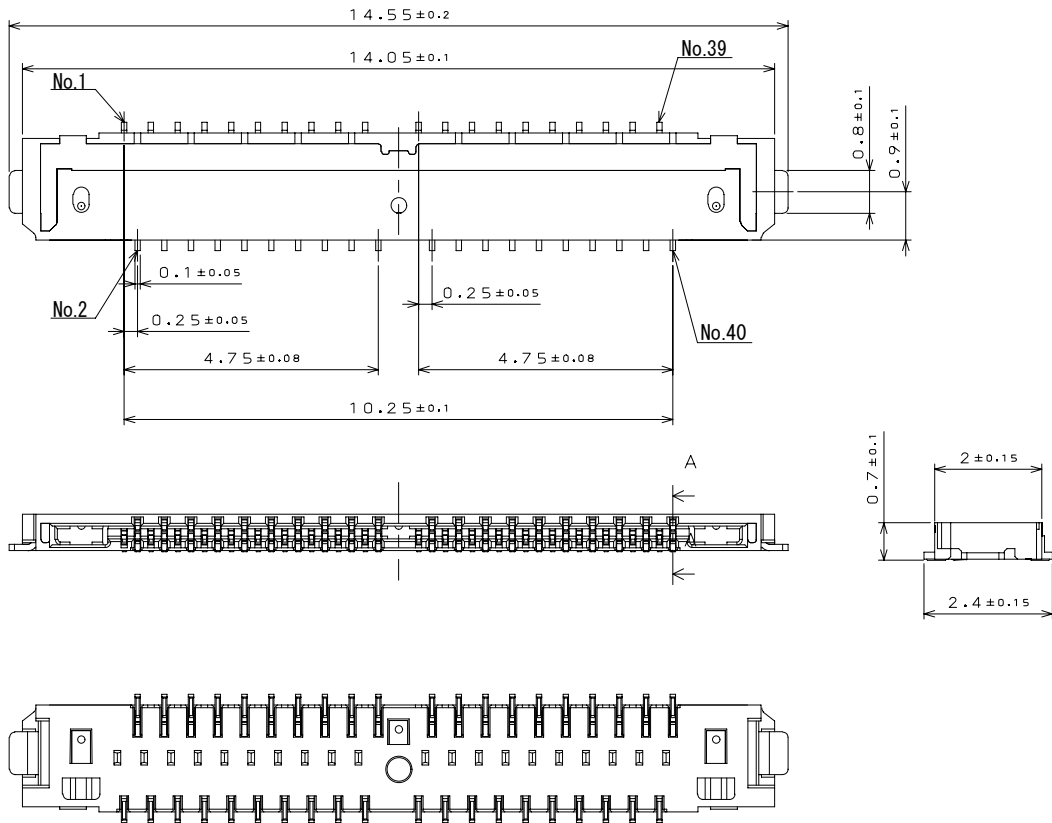
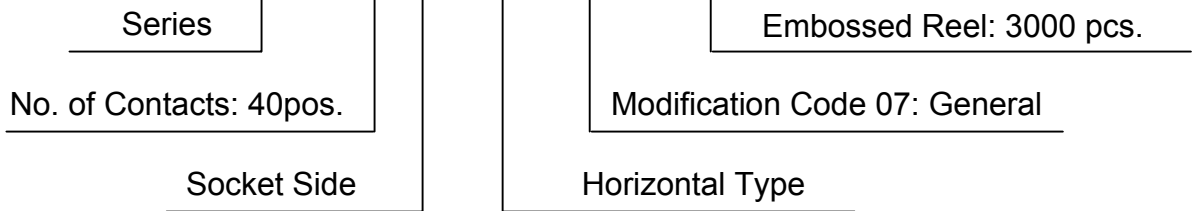
Materials and Finishes

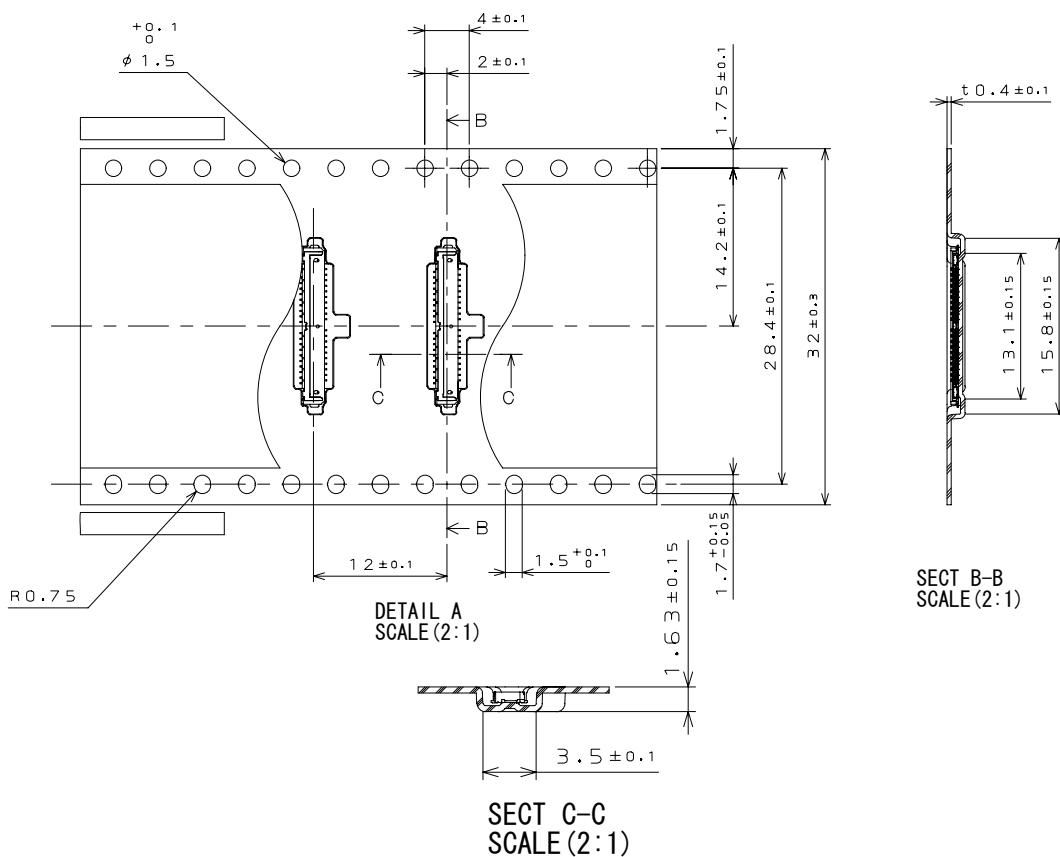
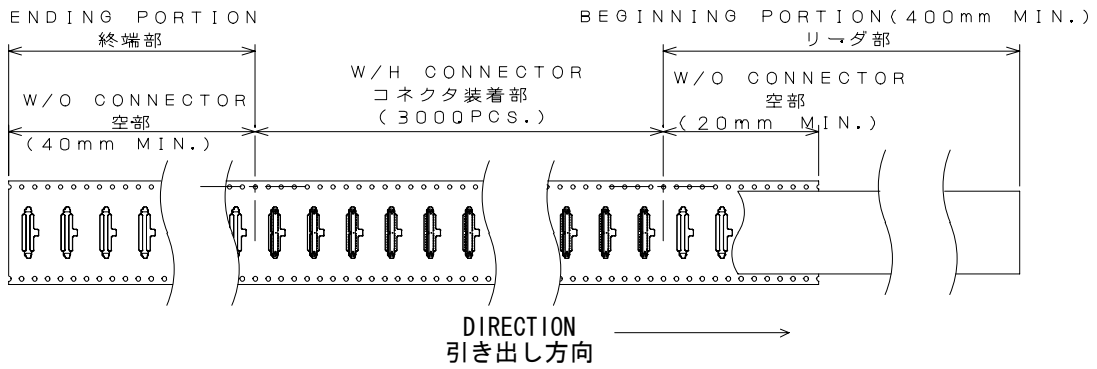
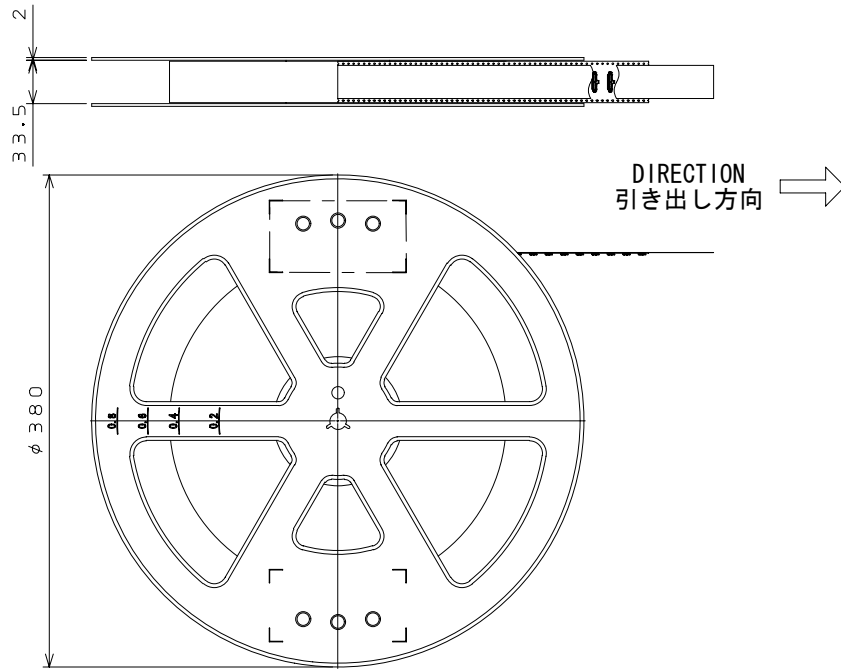
Component	Material / Finish
Receptacle (FI-JHS**S-HF07)	
Contact	Copper alloy / Contact area Au plating over Ni, Terminal area Au flash plating over Ni
Shell	Stainless steel / Contact area Au flash plating over Ni
Insulator	Heat resistant plastic
Adsorption Cover	Stainless steel
Plug (FI-JHS**C)	
Contact	Copper alloy / Contact area Au plating over Ni, Terminal area Au flash plating over Ni
Base Shell	Stainless steel / Au flash plating over Ni
Insulator	Heat resistant plastic
Plug / Cover Shell (FI-JHS**C-SH1)	
Cover shell	Stainless steel / Au flash plating over Ni

Ordering Information

Receptacle
Individual Product (SJ110026)
Reel Product (SJ110027)

FI-JHS 40 S - HF 07 - R3000





Plug
Individual Product (SJ110028)
Reel Product (SJ110029)

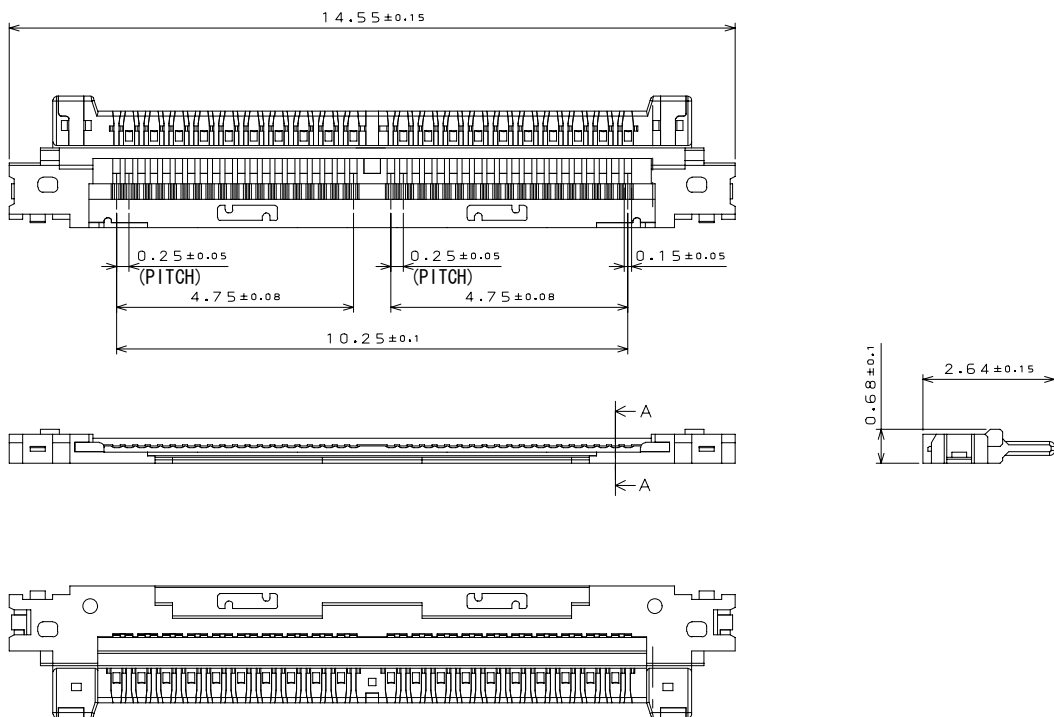
FI-JHS 40 C - R3000

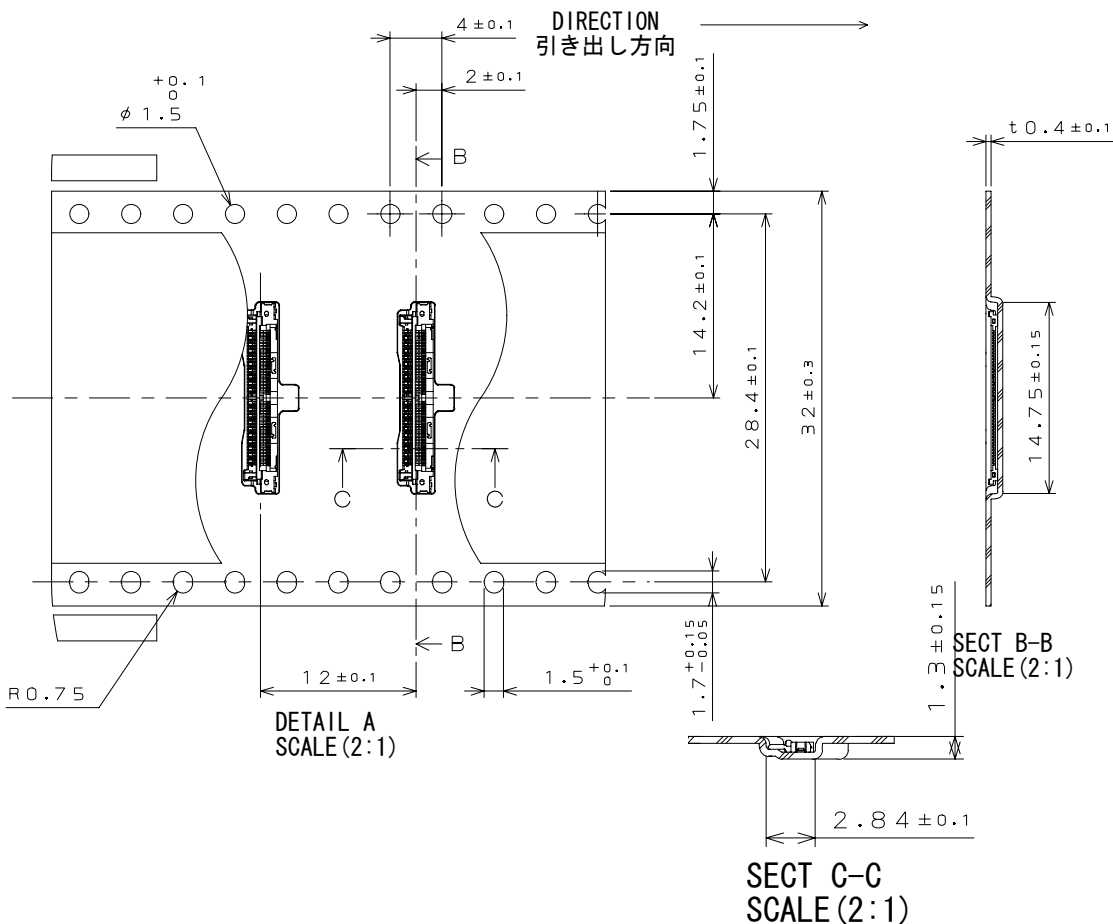
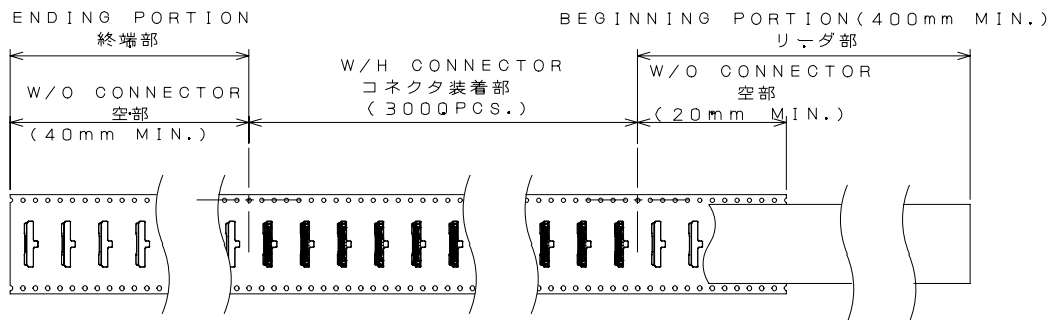
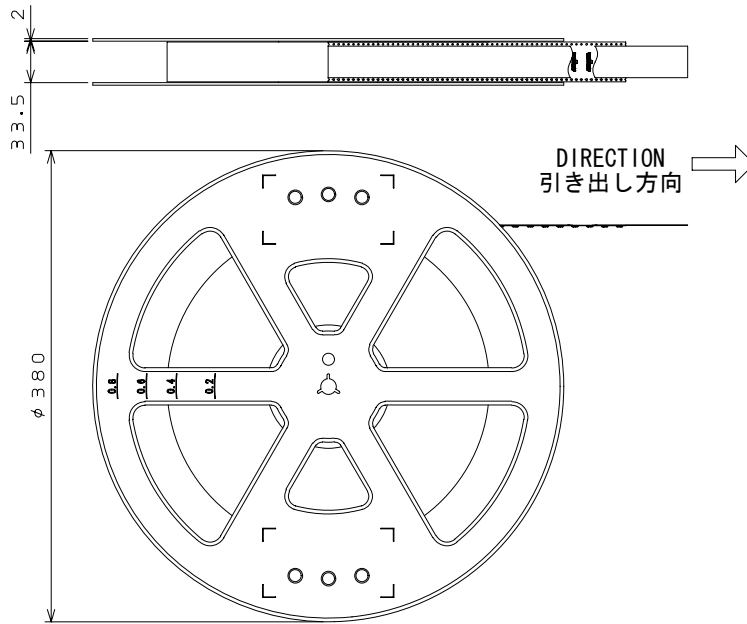
Series

Embossed Reel: 3000 pcs.

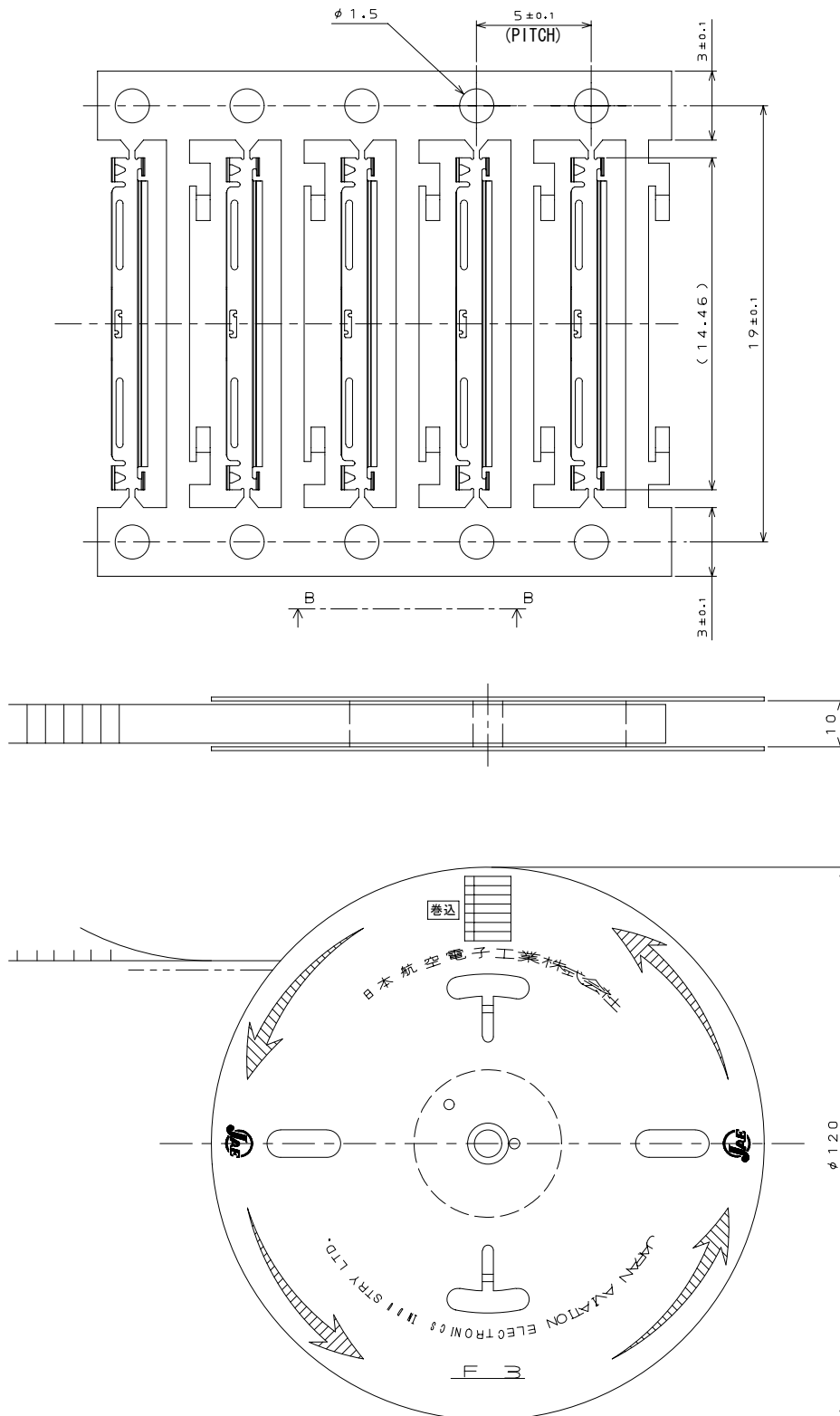
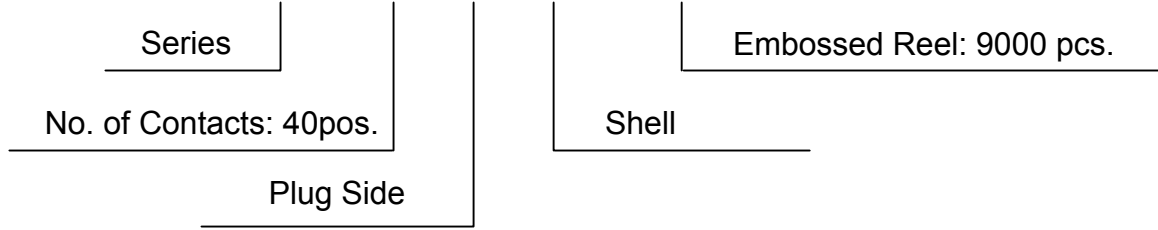
No. of Contacts: 40pos.

Plug Side

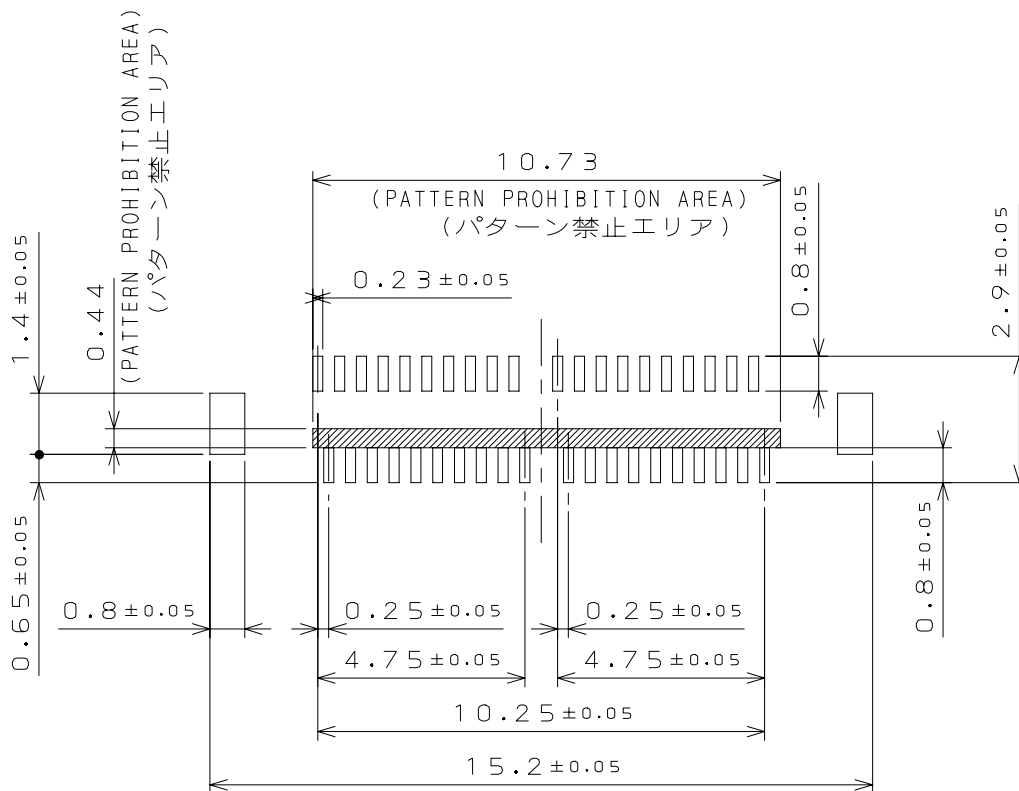




Shell (SJ110030)
FI-JHS 40 C - SH1 - 9000



<Applicable Board Dimensions>



APPLICABLE P.C.B. DIMENSION (REF.)
 適合基板寸法 (参考)

Related Material

- Specifications (JACS): JACS-10658
- Harness Assembly Handling Instructions (JAHL): JAHL- 10658 -1
- Connector Handling Instructions (JAHL): JAHL- 10658 -10

Japan Aviation Electronics Industry, Limited

Product Marketing Division
 Aobadai Building, 3-1-19, Aobadai, Meguro-ku, Tokyo 153-8539
 Phone: +81-3-3780-2787 FAX: +81-3-3780-2946

Notice: Products shown in this brochure are made for the applications listed below. However, if the above-mentioned products are to be used in aerospace devices, marine cable-connection devices, atomic power control systems, medical equipment for life-support systems, or any other specific application requiring extremely high reliability, please contact JAE for further information.

Recommended applications: Computers, Office machines, Measuring devices, Telecommunication devices (Terminals, Mobile devices), AV devices, Household applications, FA devices, etc.