

**PLEASE CHECK WWW.MOLEX.COM FOR LATEST PART INFORMATION**

**Part Number:** [0444740441](#)  
**Status:** **Active**  
**Description:** 4.20mm (.165") Pitch Mini-Fit HCS™ Header, Dual Row, Vertical, Blind Mating, with Snap-in Plastic Peg PCB Lock, 4 Circuits, PA Polyamide Nylon 6/6 94V-0, with Drain Holes

**Documents:**

[3D Model](#) [Product Specification PS-44476-001 \(PDF\)](#)  
[Drawing \(PDF\)](#) [RoHS Certificate of Compliance \(PDF\)](#)

**Agency Certification**

CSA LR19980  
 UL E29179

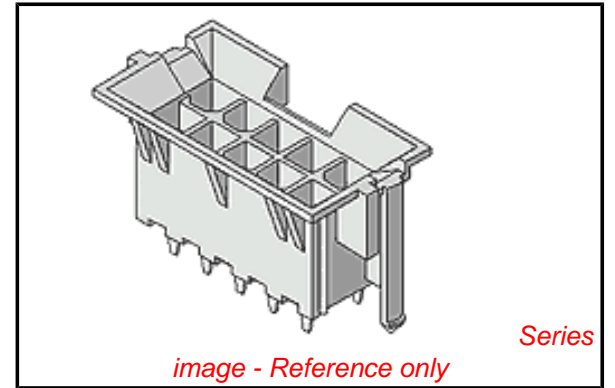
**General**

Product Family PCB Headers  
 Series [44474](#)  
 Application Board-to-Board, Wire-to-Board  
 Comments Square Pin|Solder Type  
 Product Name Mini-Fit HCS™

**Physical**

Breakaway No  
 Circuits (Loaded) 4  
 Circuits (maximum) 4  
 Color - Resin Natural (White)  
 Durability (mating cycles max) 30  
 Flammability 94V-0  
 Glow-Wire Compliant No  
 Material - Metal High Performance Alloy (HPA)  
 Material - Plating Mating Tin  
 Material - Plating Termination Tin  
 Material - Resin Nylon  
 Number of Rows 2  
 Orientation Vertical  
 PC Tail Length (in) 0.138 In  
 PC Tail Length (mm) 3.50 mm  
 PCB Locator Yes  
 PCB Retention Yes  
 PCB Thickness Recommended (in) 0.070 In  
 PCB Thickness Recommended (mm) 1.80 mm  
 Packaging Type Tray  
 Pitch - Mating Interface (in) 0.165 In  
 Pitch - Mating Interface (mm) 4.20 mm  
 Plating min: Mating (µin) 100  
 Plating min: Mating (µm) 2.50  
 Plating min: Termination (µin) 100  
 Plating min: Termination (µm) 2.50  
 Polarized to PCB Yes  
 Shrouded Fully  
 Stackable No  
 Surface Mount Compatible (SMC) No  
 Temperature Range - Operating -40°C to +105°C  
 Termination Interface: Style Through Hole

**Electrical**



**EU RoHS**

**ELV and RoHS Compliant**  
**REACH SVHC**  
 Not Reviewed  
**Halogen-Free Status**  
**Not Reviewed**

**China RoHS**



**Need more information on product environmental compliance?**

Email [productcompliance@molex.com](mailto:productcompliance@molex.com)  
 For a multiple part number RoHS Certificate of Compliance, [click here](#)

Please visit the [Contact Us](#) section for any non-product compliance questions.

**Search Parts in this Series**

[44474Series](#)

**Mates With**

[42474](#) , [44475](#) , [44516](#) , [5557d](#)

|                               |      |
|-------------------------------|------|
| Current - Maximum per Contact | 11A  |
| Voltage - Maximum             | 600V |

**Solder Process Data**

|  |                        |
|--|------------------------|
| Duration at Max. Process Temperature (seconds) | 5                      |
| Lead-free Process Capability                   | Wave Capable (TH only) |
| Max. Cycles at Max. Process Temperature        | 1                      |
| Process Temperature max. C                     | 260                    |

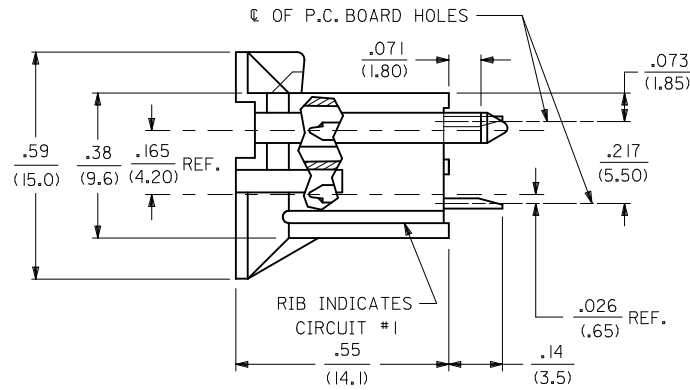
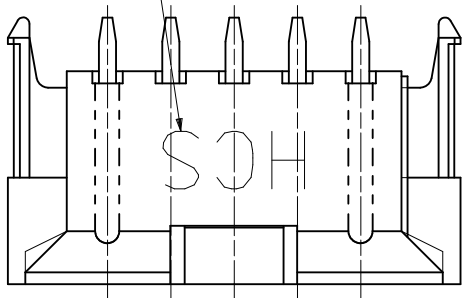
**Material Info****Reference - Drawing Numbers**

|                       |                             |
|-----------------------|-----------------------------|
| Product Specification | PS-44476-001, RPS-44476-001 |
| Sales Drawing         | SDA-44474-****              |

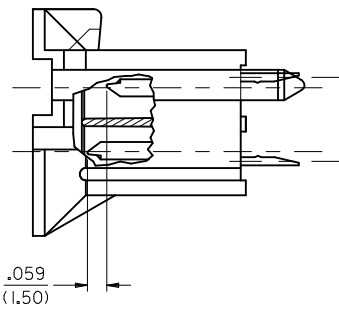
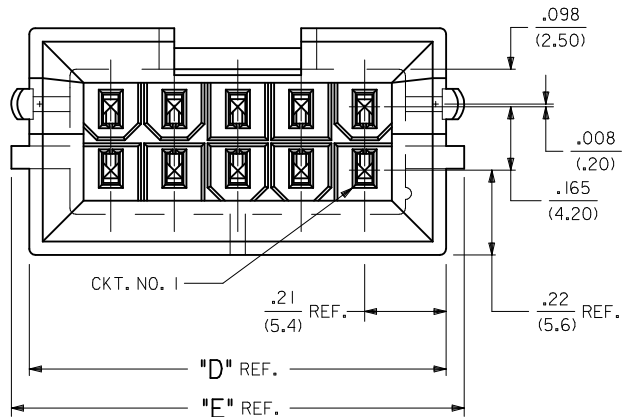
This document was generated on 03/24/2010

**PLEASE CHECK [WWW.MOLEX.COM](http://WWW.MOLEX.COM) FOR LATEST PART INFORMATION**

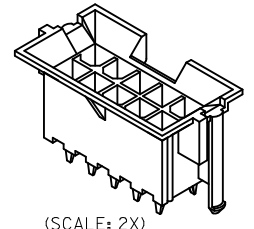
SEE NOTE 14



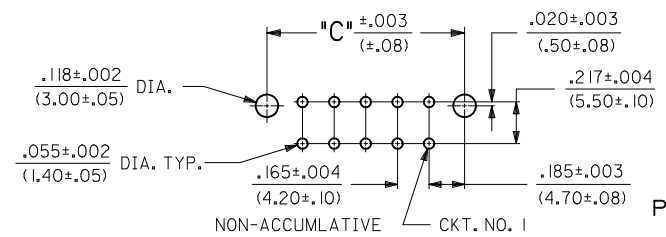
| CIRCUIT SIZE | DIM. "A"    | DIM. "B"    | DIM. "C"      | DIM. "D"      | DIM. "E"      |
|--------------|-------------|-------------|---------------|---------------|---------------|
| 2            | —           | .21 (5.4)   | .370 (9.40)   | .425 (10.80)  | .520 (13.20)  |
| 4            | .17 (4.2)   | .38 (9.6)   | .535 (13.60)  | .590 (15.00)  | .685 (17.40)  |
| 6            | .33 (8.4)   | .54 (13.8)  | .701 (17.80)  | .756 (19.20)  | .850 (21.60)  |
| 8            | .50 (12.6)  | .71 (18.0)  | .866 (22.00)  | .921 (23.40)  | 1.016 (25.80) |
| 10           | .66 (16.8)  | .87 (22.2)  | 1.031 (26.20) | 1.087 (27.60) | 1.181 (30.00) |
| 12           | .83 (21.0)  | 1.04 (26.4) | 1.197 (30.40) | 1.252 (31.80) | 1.346 (34.20) |
| 14           | .99 (25.2)  | 1.20 (30.6) | 1.362 (34.60) | 1.417 (36.00) | 1.512 (38.40) |
| 16           | 1.16 (29.4) | 1.37 (34.8) | 1.528 (38.80) | 1.583 (40.20) | 1.677 (42.60) |
| 18           | 1.32 (33.6) | 1.54 (39.0) | 1.693 (43.00) | 1.748 (44.40) | 1.843 (46.80) |
| 20           | 1.49 (37.8) | 1.70 (42.2) | 1.858 (47.20) | 1.913 (48.60) | 2.008 (51.00) |
| 22           | 1.65 (42.0) | 1.87 (47.4) | 2.024 (51.40) | 2.079 (52.80) | 2.173 (55.20) |
| 24           | 1.82 (46.2) | 2.03 (51.6) | 2.189 (55.60) | 2.244 (57.00) | 2.339 (59.40) |



MATE-FIRST/BREAK-LAST DETAIL  
(SEE NOTE 12)

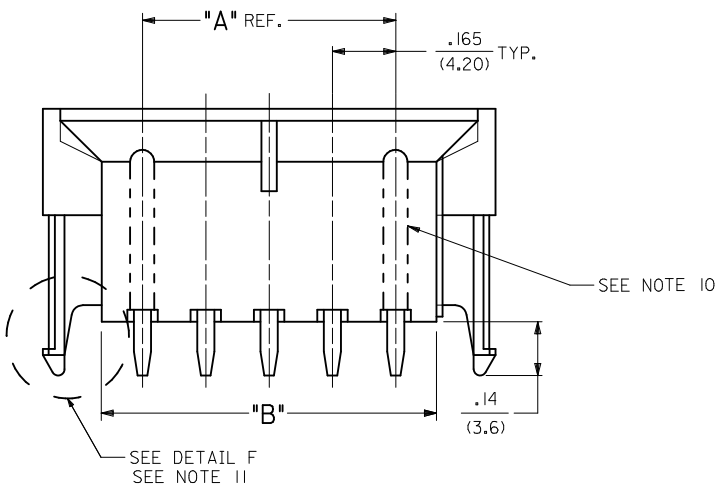
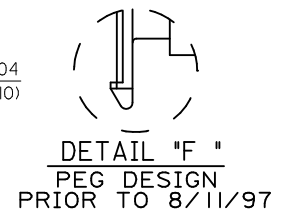


(SCALE: 2X)

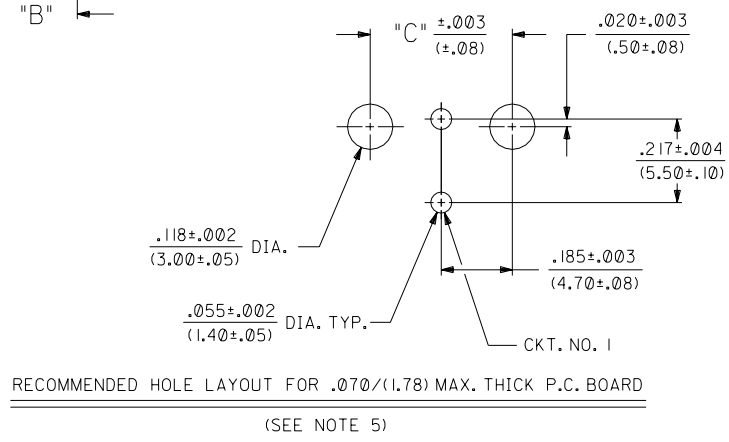
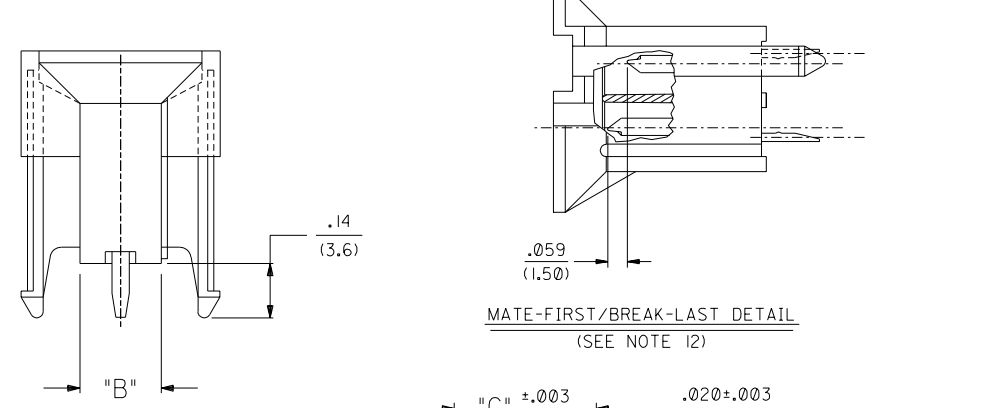
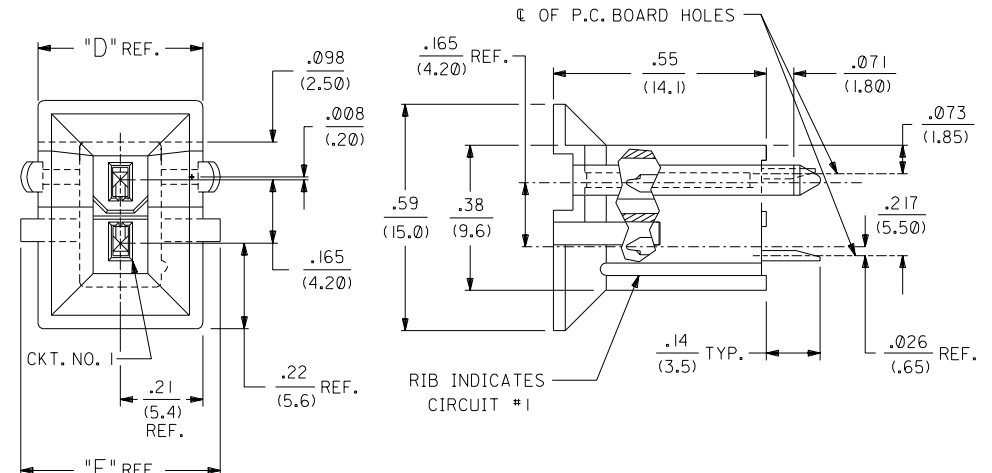
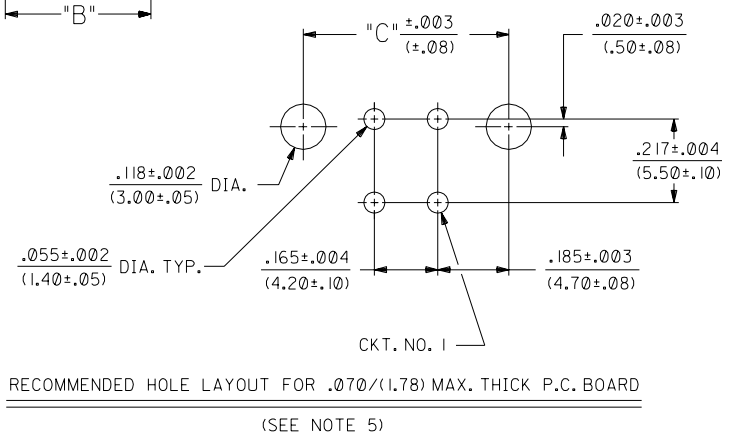
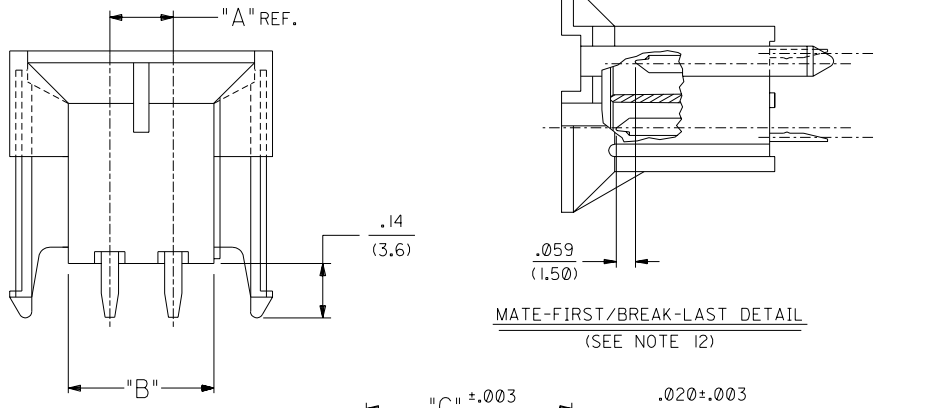
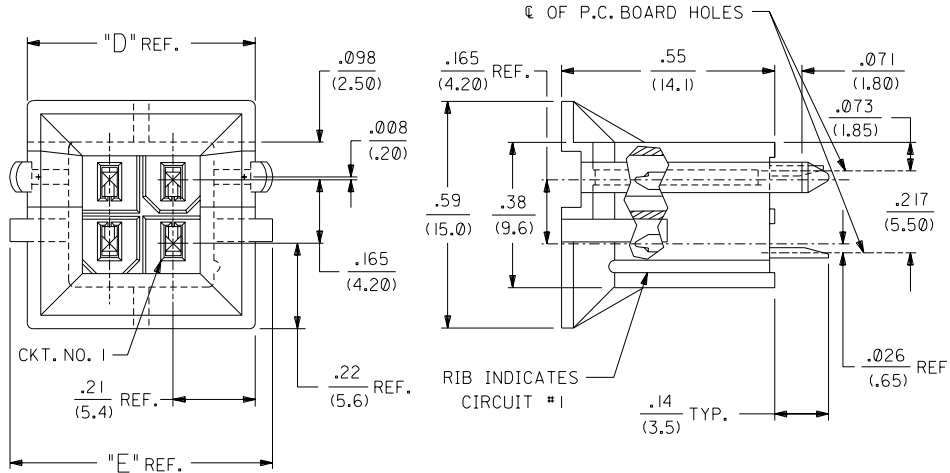


RECOMMENDED HOLE LAYOUT FOR .070/(1.78) MAX. THICK P.C. BOARD

(SEE NOTE 5)  
(SCALE: 2X)



|   |                               |   |   |                          |  |                            |                      |                                |                     |
|---|-------------------------------|---|---|--------------------------|--|----------------------------|----------------------|--------------------------------|---------------------|
| <b>MODIFIED SHT 4</b><br>EC NO: UCP2010-0472<br>DRWN: JAGUILAR 2009/11/11<br>CHKD: JIBELL 2009/12/01<br>APPR: FSMITH 2009/12/01<br>G1 | QUALITY SYMBOLS<br>▽=0<br>▽=0 | GENERAL TOLERANCES (UNLESS SPECIFIED)   |   | DIMENSION STYLE<br>IN/MM |  | SCALE<br>1:1               | DESIGN UNITS<br>INCH | THIRD ANGLE PROJECTION         |                     |
|   |                               | 4 PLACES ± --- ± ---<br>3 PLACES ± --- ± .010<br>2 PLACES ± 0.25 ± .015<br>1 PLACE ± 0.38 ± ---<br>ANGULAR ± 1/2° | DRAWN BY<br>GEP<br>CHECKED BY<br>RJF<br>APPROVED BY<br>RJF  | DATE<br>DATE<br>DATE     | TITLE<br>VERTICAL HEADER ASSEMBLY<br>MINI-FIT HCS SERIES | MATERIAL NO.<br>SEE CHARTS |                      | DOCUMENT NO.<br>SDA-44474-**** | SHEET NO.<br>1 OF 6 |
| DRAFT WHERE APPLICABLE<br>MUST REMAIN<br>WITHIN DIMENSIONS  |                               |   | THIS DRAWING CONTAINS INFORMATION THAT IS PROPRIETARY TO MOLEX INCORPORATED AND SHOULD NOT BE USED WITHOUT WRITTEN PERMISSION |                          |  |                            |                      |                                |                     |



| C       | SEE SHEET #1 | DIMENSIONS SHOWN (METRIC) INCH<br>UNLESS OTHERWISE SPECIFIED<br>TOLERANCES: ANGULAR ± 0.5°   | ▽ = 0<br>▼ = 0<br>REVISE ONLY ON CAD SYSTEM                                    |      |        |         |        |     |         |        |        |         |     |        |  |
|---------|--------------|--|--|------|--------|---------|--------|-----|---------|--------|--------|---------|-----|--------|--|
| B2      | SEE SHEET #1 |  |  |      |        |         |        |     |         |        |        |         |     |        |  |
| B1      | SEE SHEET #1 | <table border="1"> <tr> <th></th> <th>INCH</th> <th>METRIC</th> </tr> <tr> <td>3 PLACE</td> <td>± .010</td> <td>---</td> </tr> <tr> <td>2 PLACE</td> <td>± .015</td> <td>± 0.25</td> </tr> <tr> <td>1 PLACE</td> <td>---</td> <td>± 0.38</td> </tr> </table> |  | INCH | METRIC | 3 PLACE | ± .010 | --- | 2 PLACE | ± .015 | ± 0.25 | 1 PLACE | --- | ± 0.38 | TITLE<br><b>VERTICAL HEADER ASSEMBLY</b><br><b>MINI-FIT HCS SERIES</b><br><b>B.M.I. WITH SELECT OPTIONS</b><br>MOLEX INCORPORATED<br>L1SLE,ILL. 60532 U.S.A. |
|         | INCH         |  | METRIC   |      |        |         |        |     |         |        |        |         |     |        |  |
| 3 PLACE | ± .010       | ---  |  |      |        |         |        |     |         |        |        |         |     |        |  |
| 2 PLACE | ± .015       | ± 0.25   |  |      |        |         |        |     |         |        |        |         |     |        |  |
| 1 PLACE | ---          | ± 0.38   |  |      |        |         |        |     |         |        |        |         |     |        |  |
| B       | SEE SHT. 1   |  |  |      |        |         |        |     |         |        |        |         |     |        |  |
| A1      | SEE SHT. 1   | DRAFT WHERE APPLICABLE MUST<br>REMAIN WITHIN DIMENSIONS<br>DRWG. BY: GEP<br>APP'D. BY: RJF<br>CHK'D. BY: RJF<br>SCALE: 4 : 1   | SHEET NO. 2<br>DATE 8/11/94<br>PART NO. SDA-44474-****<br>DRWG. NO. SEE SHT. 4 |      |        |         |        |     |         |        |        |         |     |        |  |
| A       | SEE SHT. 1   |  |  |      |        |         |        |     |         |        |        |         |     |        |  |
| D1      | SEE SHEET 1  | THIS DRAWING CONTAINS INFORMATION THAT IS PROPRIETARY TO<br>MOLEX INC. AND SHOULD NOT BE USED WITHOUT WRITTEN PERMISSION.  | DIV. CP<br>SIZE C  |      |        |         |        |     |         |        |        |         |     |        |  |
| LTR.    | REVISIONS    |  |  |      |        |         |        |     |         |        |        |         |     |        |  |

**NOTES:**

- 1) HOUSING MAT'L. & OPTIONS:  
 1 = NYLON 6/6, U.L. 94V-2, COLOR: NATURAL, WITHOUT DRAIN HOLES.  
 2 = NYLON 6/6, U.L. 94V-0, COLOR: NATURAL, WITHOUT DRAIN HOLES.  
 3 = NYLON 6/6, U.L. 94V-2, COLOR: NATURAL, WITH DRAIN HOLES.  
 4 = NYLON 6/6, U.L. 94V-0, COLOR: NATURAL, WITH DRAIN HOLES.
- 2) TERMINAL MAT'L.: C197 ALLOY.
- 3) 6-24 CKT. PARTS MATE WITH MINI-FIT JR. RECEPT.\*5557, H.C.S. VERT. HEADER #44475 AND B.M.I. HEADER #42474. 2 & 4 CKT. PARTS MATE WITH HEADERS ONLY.
- 4) PART ALLOWS FOR UP TO .100/(2.54) MISALIGNMENT WITH MATING RECEPTACLE IN ANY DIRECTION. SEE MATING CONNECTOR DRAWINGS FOR SPECIFIC ALLOWANCES.
- 5) PART IS DESIGNED IN METRIC.
- 6) TERMINAL PLATING:  
 \*1 = POSTPLATE .000100/(.00254) MIN. BRIGHT TIN OVER .000050/(.00127) MIN. NICKEL.  
 2 = POSTPLATE .000100/(.00254) MIN. BRIGHT TIN OVER .000050/(.00127) MIN. NICKEL.  
 \*THE PRIMARY SHIPPING CARTON WILL BE LABELED \*COMPLIANT TO ROHS DIRECTIVE 2002/95/EC AND ELV ANNEX II OF DIRECTIVE 2002/53/EC\*. CARTONS WITHOUT THIS LABEL MAY CONTAIN PRODUCT WITH TIN-LEAD PLATING.
- 7) PRODUCT SPECIFICATION AND PROCESSING PARAMETERS: SEE PS-44476-001.
- 8) CONNECTOR ASSEMBLIES ARE NOT TO BE MATED OR UNMATED WHILE CIRCUITS ARE LIVE.
- 9) ITEM NUMBERS PRECEDED BY AN "X" IN THE CHARTS ON THE FOLLOWING SHEETS ARE NOT AVAILABLE.
- 10) OPTIONAL RIBS MAY BE FOUND ON PARTS MANUFACTURED AFTER 08/11/97.
- 11) PARTS MANUFACTURED AFTER 8/15/97 MAY HAVE REVISED LOCK PEG.
- 12) CIRCUITS SHOWN PROVIDE CUSTOM MATE-FIRST/BREAK-LAST FEATURE. SEE CHART ON SHEET SIX FOR ASSEMBLIES WITH ADDITIONAL CUSTOM OPTIONS.
- 13) PACKAGING:  
 1 = TRAY PER PK-42440-001.  
 2 = TUBE PER PK-40873-015L.
- 14) PARTS PRODUCED AFTER JULY 1, 2004 WILL HAVE "HCS" MARKING INSTEAD OF BLACK STRIPE.

|   |                     |                                       |  |  |  |                    |                      |  |  |  |
|---|---------------------|---------------------------------------|--|--|--|--------------------|----------------------|--|--|--|
| SEE SHEET 1<br>EC NO: UCP2005-1986<br>DRAWN: JSCHAFFER 2005/03/17<br>CHKD: 2005/03/21<br>APPR: YMARGULLI 2005/03/22           | QUALITY SYMBOLS<br> | GENERAL TOLERANCES (UNLESS SPECIFIED) |  | DIMENSION STYLE<br>IN/MM                                   |  | SCALE<br>1:1       | DESIGN UNITS<br>INCH | THIRD ANGLE PROJECTION                                   |  |  |
|   |                     |                                       |  |  |  | DRAWN BY<br>GEP    | DATE                 | TITLE<br>VERTICAL HEADER ASSEMBLY<br>MINI-FIT HCS SERIES |  |  |
|   |                     |                                       |  |  |  | CHECKED BY<br>RJF  | DATE                 | MATERIAL NO.<br>SDA-44474-****                           |  |  |
|   |                     |                                       |  |  |  | APPROVED BY<br>RJF | DATE                 | DOCUMENT NO.<br>SDA-44474-****                           |  |  |
|   |                     | ANGULAR ±1/2°                         |  | DRAFT WHERE APPLICABLE<br>MUST REMAIN<br>WITHIN DIMENSIONS |  | SIZE<br>C          |                      | SHEET NO.<br>3 OF 6                                      |  |  |
| THIS DRAWING CONTAINS INFORMATION THAT IS PROPRIETARY TO MOLEX INCORPORATED AND SHOULD NOT BE USED WITHOUT WRITTEN PERMISSION |                     |                                       |  |  |  |                    |                      |  |  |  |

|   | 13                            | 12                            | 11                            | 10                            | 9                             | 8                             | 7                             | 6                             | 5                             | 4                             | 3                             | 2                             | 1                             |      |
|---|-------------------------------|-------------------------------|-------------------------------|-------------------------------|-------------------------------|-------------------------------|-------------------------------|-------------------------------|-------------------------------|-------------------------------|-------------------------------|-------------------------------|-------------------------------|------|
| J | PLATING: I (SEE NOTE 6)       | PLATING: I (SEE NOTE 6)       | PLATING: I (SEE NOTE 6)       | PLATING: I (SEE NOTE 6)       | PLATING: I (SEE NOTE 6)       | PLATING: I (SEE NOTE 6)       | PLATING: I (SEE NOTE 6)       | PLATING: I (SEE NOTE 6)       | PLATING: I (SEE NOTE 6)       | PLATING: I (SEE NOTE 6)       | PLATING: I (SEE NOTE 6)       | PLATING: I (SEE NOTE 6)       | PLATING: I (SEE NOTE 6)       |      |
|   | DRAINS: WITHOUT DRAIN HOLES   | DRAINS: WITHOUT DRAIN HOLES   | DRAINS: WITHOUT DRAIN HOLES   | DRAINS: WITHOUT DRAIN HOLES   | DRAINS: WITH DRAIN HOLES      | DRAINS: WITH DRAIN HOLES      | DRAINS: WITH DRAIN HOLES      | DRAINS: WITH DRAIN HOLES      | DRAINS: WITH DRAIN HOLES      | DRAINS: WITHOUT DRAIN HOLES   | DRAINS: WITHOUT DRAIN HOLES   | DRAINS: WITHOUT DRAIN HOLES   | DRAINS: WITHOUT DRAIN HOLES   |      |
|   | PEGS: WITH PEGS               | PEGS: WITH PEGS               | PEGS: WITH PEGS               | PEGS: WITH PEGS               | PEGS: WITH PEGS               | PEGS: WITH PEGS               | PEGS: WITH PEGS               | PEGS: WITH PEGS               | PEGS: WITH PEGS               | PEGS: WITH PEGS               | PEGS: WITH PEGS               | PEGS: WITH PEGS               | PEGS: WITH PEGS               |      |
|   | MAT'L: 94V-2 [NATURAL]        | MAT'L: 94V-0 [NATURAL]        | MAT'L: 94V-0 [NATURAL]        | MAT'L: 94V-2 [NATURAL]        | MAT'L: 94V-2 [NATURAL]        | MAT'L: 94V-0 [NATURAL]        | MAT'L: 94V-0 [NATURAL]        | MAT'L: 94V-2 [NATURAL]        | MAT'L: 94V-2 [NATURAL]        | MAT'L: 94V-0 [NATURAL]        | MAT'L: 94V-0 [NATURAL]        | MAT'L: 94V-0 [NATURAL]        | MAT'L: 94V-0 [NATURAL]        |      |
|   | PACKAGING: TRAY (SEE NOTE I3) | PACKAGING: TRAY (SEE NOTE I3) | PACKAGING: TRAY (SEE NOTE I3) | PACKAGING: TRAY (SEE NOTE I3) | PACKAGING: TRAY (SEE NOTE I3) | PACKAGING: TRAY (SEE NOTE I3) | PACKAGING: TRAY (SEE NOTE I3) | PACKAGING: TRAY (SEE NOTE I3) | PACKAGING: TUBE (SEE NOTE I3) | PACKAGING: TUBE (SEE NOTE I3) | PACKAGING: TUBE (SEE NOTE I3) | PACKAGING: TUBE (SEE NOTE I3) | PACKAGING: TUBE (SEE NOTE I3) |      |
| I | ITEM NO.                      | CKTS                          | ITEM NO.                      | CKTS                          | ITEM NO.                      | CKTS                          | ITEM NO.                      | CKTS                          | ITEM NO.                      | CKTS                          | ITEM NO.                      | CKTS                          | ITEM NO.                      | CKTS |
|   | X 44474-0211                  | 2                             | X 44474-0221                  | 2                             | X 44474-0231                  | 2                             | X 44474-0241                  | 2                             | X -                           | 2                             | X -                           | 2                             | X -                           | 2    |
|   | 44474-0411                    | 4                             | 44474-0421                    | 4                             | 44474-0431                    | 4                             | 44474-0441                    | 4                             | 44474-3001                    | 4                             | 44474-3013                    | 4                             | 44474-3013                    | 4    |
|   | 44474-0611                    | 6                             | X 44474-0621                  | 6                             | O 44474-0631                  | 6                             | X 44474-0641                  | 6                             | X -                           | 6                             | X -                           | 6                             | X -                           | 6    |
|   | X 44474-0811                  | 8                             | X 44474-0821                  | 8                             | X 44474-0831                  | 8                             | X 44474-0841                  | 8                             | X -                           | 8                             | X -                           | 8                             | X -                           | 8    |
|   | 44474-1011                    | 10                            | 44474-1021                    | 10                            | 44474-1031                    | 10                            | 44474-1041                    | 10                            | 44474-3004                    | 10                            | 44474-3016                    | 10                            | 44474-3016                    | 10   |
|   | X 44474-1211                  | 12                            | X 44474-1221                  | 12                            | X 44474-1231                  | 12                            | X 44474-1241                  | 12                            | X -                           | 12                            | X -                           | 12                            | X -                           | 12   |
|   | 44474-1411                    | 14                            | 44474-1421                    | 14                            | 44474-1431                    | 14                            | 44474-1441                    | 14                            | 44474-3006                    | 14                            | 44474-3018                    | 14                            | 44474-3018                    | 14   |
|   | X 44474-1611                  | 16                            | X 44474-1621                  | 16                            | X 44474-1631                  | 16                            | X 44474-1641                  | 16                            | X -                           | 16                            | X -                           | 16                            | X -                           | 16   |
|   | 44474-1811                    | 18                            | 44474-1821                    | 18                            | 44474-1831                    | 18                            | 44474-1841                    | 18                            | 44474-3008                    | 18                            | 44474-3020                    | 18                            | 44474-3020                    | 18   |
|   | X 44474-2011                  | 20                            | X 44474-2021                  | 20                            | X 44474-2031                  | 20                            | X 44474-2041                  | 20                            | X -                           | 20                            | X -                           | 20                            | X -                           | 20   |
|   | X 44474-2211                  | 22                            | X 44474-2221                  | 22                            | X 44474-2231                  | 22                            | X 44474-2241                  | 22                            | X -                           | 22                            | X -                           | 22                            | X -                           | 22   |
|   | 44474-2411                    | 24                            | 44474-2421                    | 24                            | 44474-2431                    | 24                            | 44474-2441                    | 24                            | 44474-3011                    | 24                            | 44474-3023                    | 24                            | 44474-3023                    | 24   |

|   |                               |                               |                               |                               |                               |                               |                               |                               |                               |                               |                               |                               |                               |      |
|---|-------------------------------|-------------------------------|-------------------------------|-------------------------------|-------------------------------|-------------------------------|-------------------------------|-------------------------------|-------------------------------|-------------------------------|-------------------------------|-------------------------------|-------------------------------|------|
| G | PLATING: I (SEE NOTE 6)       | PLATING: I (SEE NOTE 6)       | PLATING: I (SEE NOTE 6)       | PLATING: I (SEE NOTE 6)       | PLATING: I (SEE NOTE 6)       | PLATING: I (SEE NOTE 6)       | PLATING: I (SEE NOTE 6)       | PLATING: I (SEE NOTE 6)       | PLATING: I (SEE NOTE 6)       | PLATING: I (SEE NOTE 6)       | PLATING: I (SEE NOTE 6)       | PLATING: I (SEE NOTE 6)       | PLATING: I (SEE NOTE 6)       |      |
|   | DRAINS: WITH DRAIN HOLES      | DRAINS: WITH DRAIN HOLES      | DRAINS: WITH DRAIN HOLES      | DRAINS: WITH DRAIN HOLES      | DRAINS: WITH DRAIN HOLES      | DRAINS: WITH DRAIN HOLES      | DRAINS: WITH DRAIN HOLES      | DRAINS: WITH DRAIN HOLES      | DRAINS: WITH DRAIN HOLES      | DRAINS: WITH DRAIN HOLES      | DRAINS: WITH DRAIN HOLES      | DRAINS: WITH DRAIN HOLES      | DRAINS: WITH DRAIN HOLES      |      |
|   | PEGS: WITH PEGS               | PEGS: WITH PEGS               | PEGS: WITH PEGS               | PEGS: WITH PEGS               | PEGS: WITH PEGS               | PEGS: WITH PEGS               | PEGS: WITH PEGS               | PEGS: WITH PEGS               | PEGS: WITH PEGS               | PEGS: WITH PEGS               | PEGS: WITH PEGS               | PEGS: WITH PEGS               | PEGS: WITH PEGS               |      |
|   | MAT'L: 94V-2 [NATURAL]        | MAT'L: 94V-0 [NATURAL]        | MAT'L: 94V-0 [NATURAL]        | MAT'L: 94V-2 [NATURAL]        | MAT'L: 94V-2 [NATURAL]        | MAT'L: 94V-0 [NATURAL]        | MAT'L: 94V-0 [NATURAL]        | MAT'L: 94V-2 [NATURAL]        | MAT'L: 94V-2 [NATURAL]        | MAT'L: 94V-0 [NATURAL]        | MAT'L: 94V-0 [NATURAL]        | MAT'L: 94V-0 [NATURAL]        | MAT'L: 94V-0 [NATURAL]        |      |
|   | PACKAGING: TUBE (SEE NOTE I3) | PACKAGING: TUBE (SEE NOTE I3) | PACKAGING: TUBE (SEE NOTE I3) | PACKAGING: TUBE (SEE NOTE I3) | PACKAGING: TUBE (SEE NOTE I3) | PACKAGING: TUBE (SEE NOTE I3) | PACKAGING: TUBE (SEE NOTE I3) | PACKAGING: TUBE (SEE NOTE I3) | PACKAGING: TUBE (SEE NOTE I3) | PACKAGING: TUBE (SEE NOTE I3) | PACKAGING: TUBE (SEE NOTE I3) | PACKAGING: TUBE (SEE NOTE I3) | PACKAGING: TUBE (SEE NOTE I3) |      |
| F | ITEM NO.                      | CKTS                          | ITEM NO.                      | CKTS                          | ITEM NO.                      | CKTS                          | ITEM NO.                      | CKTS                          | ITEM NO.                      | CKTS                          | ITEM NO.                      | CKTS                          | ITEM NO.                      | CKTS |
|   | X -                           | 2                             | X -                           | 2                             | -                             | 2                             | -                             | 2                             | -                             | 2                             | -                             | 2                             | -                             | 2    |
|   | 44474-3025                    | 4                             | 44474-3037                    | 4                             | -                             | 4                             | -                             | 4                             | -                             | 4                             | -                             | 4                             | -                             | 4    |
|   | X -                           | 6                             | X -                           | 6                             | -                             | 6                             | -                             | 6                             | -                             | 6                             | -                             | 6                             | -                             | 6    |
|   | X -                           | 8                             | X -                           | 8                             | -                             | 8                             | -                             | 8                             | -                             | 8                             | -                             | 8                             | -                             | 8    |
|   | 44474-3028                    | 10                            | 44474-3040                    | 10                            | -                             | 10                            | -                             | 10                            | -                             | 10                            | -                             | 10                            | -                             | 10   |
|   | X -                           | 12                            | X -                           | 12                            | -                             | 12                            | -                             | 12                            | -                             | 12                            | -                             | 12                            | -                             | 12   |
|   | 44474-3030                    | 14                            | 44474-3042                    | 14                            | -                             | 14                            | -                             | 14                            | -                             | 14                            | -                             | 14                            | -                             | 14   |
|   | X -                           | 16                            | X -                           | 16                            | -                             | 16                            | -                             | 16                            | -                             | 16                            | -                             | 16                            | -                             | 16   |
|   | 44474-3032                    | 18                            | 44474-3044                    | 18                            | -                             | 18                            | -                             | 18                            | -                             | 18                            | -                             | 18                            | -                             | 18   |
|   | X -                           | 20                            | X -                           | 20                            | -                             | 20                            | -                             | 20                            | -                             | 20                            | -                             | 20                            | -                             | 20   |
|   | X -                           | 22                            | X -                           | 22                            | -                             | 22                            | -                             | 22                            | -                             | 22                            | -                             | 22                            | -                             | 22   |
|   | 44474-3035                    | 24                            | 44474-3047                    | 24                            | -                             | 24                            | -                             | 24                            | -                             | 24                            | -                             | 24                            | -                             | 24   |

\* ITEMS PRECEDED BY "X" ARE NOT AVAILABLE  
 ITEMS ON THIS PAGE ARE STANDARD PRODUCT. REFER TO  
 SHEET SIX FOR PRODUCT WITH CUSTOM OPTIONS.  
 "O" = OBSOLETE

| <b>MODIFIED CHART</b><br>EC NO: UCP2010-0472<br>DRWN: JAGUILAR 2009/11/11<br>CHKD: J.BELL 2009/12/01<br>APPR: F.SMITH 2009/12/01<br>REV: G1 | QUALITY SYMBOLS<br>▽=0<br>▽=0 | GENERAL TOLERANCES (UNLESS SPECIFIED)<br><table border="1"> <tr> <th></th> <th>mm</th> <th>INCH</th> </tr> <tr> <td>4 PLACES</td> <td>± .005</td> <td>± .0002</td> </tr> <tr> <td>3 PLACES</td> <td>± .005</td> <td>± .0002</td> </tr> <tr> <td>2 PLACES</td> <td>± .005</td> <td>± .0002</td> </tr> <tr> <td>1 PLACE</td> <td>± .005</td> <td>± .0002</td> </tr> </table> |         | mm   | INCH | 4 PLACES | ± .005 | ± .0002 | 3 PLACES | ± .005 | ± .0002 | 2 PLACES | ± .005 | ± .0002 | 1 PLACE | ± .005 | ± .0002 | DIMENSION STYLE<br><b>IN/MM</b><br>DRAWN BY: ERH<br>DATE: _____<br>CHECKED BY: MB<br>DATE: _____<br>APPROVED BY: RE<br>DATE: _____ | SCALE: 1:1<br>DESIGN UNITS: INCH<br>THIRD ANGLE PROJECTION | TITLE: VERTICAL HEADER ASSEMBLY<br>MINI-FIT HCE SERIES | MATERIAL NO.: SEE CHART<br>DOCUMENT NO.: SDA-44474-****<br>SHEET NO.: 4 OF 6 |
|---|-------------------------------|--|---------|--|------|----------|--------|---------|----------|--------|---------|----------|--------|---------|---------|--------|---------|--|--|--|--|
|   |                               | mm   | INCH    |  |      |          |        |         |          |        |         |          |        |         |         |        |         |  |  |  |  |
|   | 4 PLACES                      | ± .005   | ± .0002 |  |      |          |        |         |          |        |         |          |        |         |         |        |         |  |  |  |  |
|   | 3 PLACES                      | ± .005   | ± .0002 |  |      |          |        |         |          |        |         |          |        |         |         |        |         |  |  |  |  |
| 2 PLACES  | ± .005                        | ± .0002  |         |  |      |          |        |         |          |        |         |          |        |         |         |        |         |  |  |  |  |
| 1 PLACE   | ± .005                        | ± .0002  |         |  |      |          |        |         |          |        |         |          |        |         |         |        |         |  |  |  |  |
| DRAFT WHERE APPLICABLE<br>MUST REMAIN<br>WITHIN DIMENSIONS  |                               | MOLEX INCORPORATED   |         | THIS DRAWING CONTAINS INFORMATION THAT IS PROPRIETARY TO MOLEX<br>INCORPORATED AND SHOULD NOT BE USED WITHOUT WRITTEN PERMISSION |      |          |        |         |          |        |         |          |        |         |         |        |         |  |  |  |  |