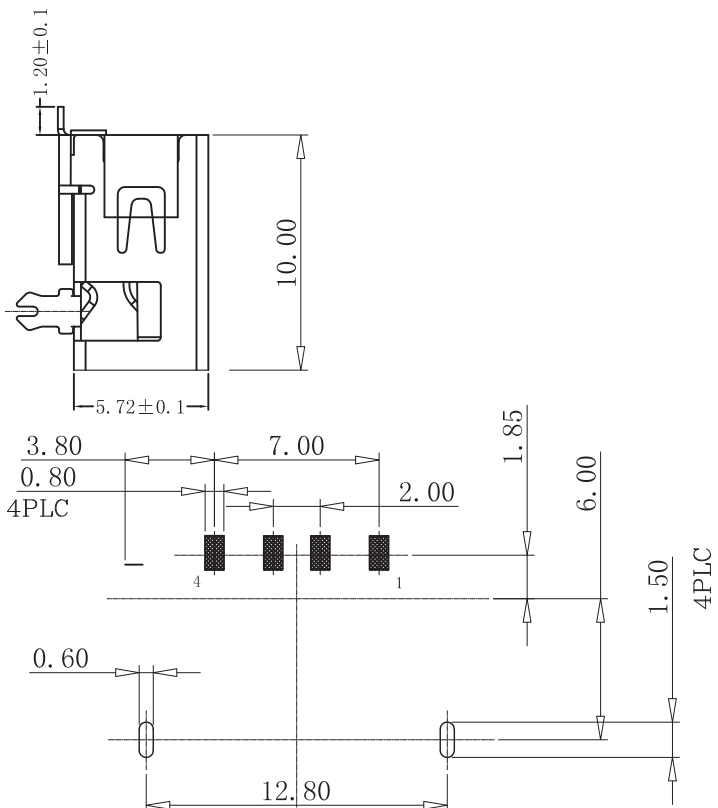
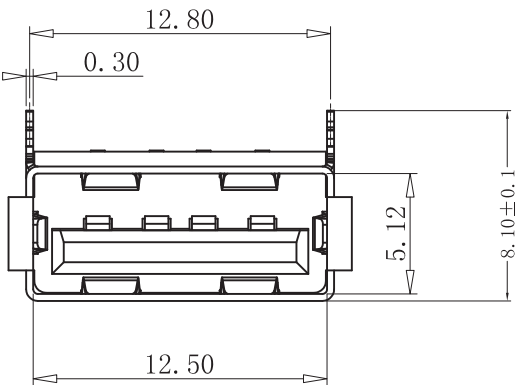
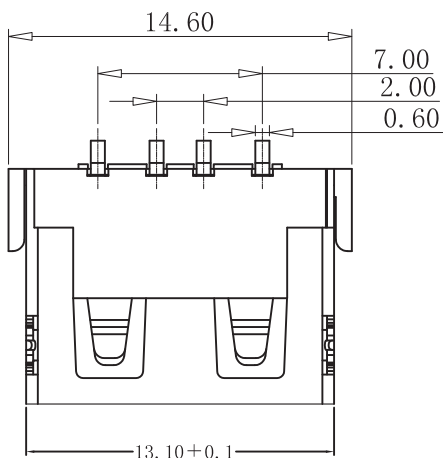
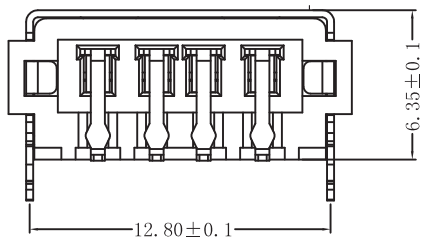


Kinghelm®



RECOMMENDED PCB LAYOUT

REV.	ECN NO	LTR	DESCRIPTION	REVISER	DATE

规格说明 (Specifications):

1.0 电气特性 (Electrical):

- 1.1 额定电流 (Current Rating):
1.5A/Contact Terminal
- 1.2 额定电压 (Voltage Rating):
30V DC
- 1.3 接触阻抗 (Contact Resistance):
30 Milliohms Max
- 1.4 耐电压 (Dielectric Withstanding Voltage):
500 V AC AT Sea Level
- 1.5 绝缘阻抗 (Insulation Resistance):
1000MEGA Ohms Min

2.0 物理性能 (Mechanical):

- 2.1 插拔力 (Connector Mate And Unmate Force):
Mating Force: 3.57kgf (Max)
Unmating Force: 1.02kgf (Min)
- 2.2 端子保持力 (Terminal Retention):
1.2kgf (Min)

3.0 原材料 (Material):

- 3.1 塑胶 (Housing):
High Temperature Thermoplastics
UL 94V-0 PBT/LCP White/Black
- 3.2 端子 (Contact):
Copper Alloy C2680 T=0.25MM
- 3.3 外壳 (Shell):
Copper/Ferro Alloy C2680/SPCC T=0.30MM
- 4.0 电镀 (Finish):
- 4.1 端子 (Contact):
Plated Gold in Mating Area
Sn ≥ 100U" Ni ≥ 40U" Au = 1U" / 3U" / 5U" / ...
- 4.2 外壳 (Shell):
Nickel Plating
12H (Cu ≥ 80U" Ni ≥ 60U")
24H (Cu ≥ 100U" Ni ≥ 80U")
48H (Cu ≥ 120U" Ni ≥ 100U")
...

5.0 Dimension marked 居 must be controlled in QIP.

产品图 PRODUCT CHART DWG				深圳市金航标电子有限公司			WWW.BDS666.COM		
公差一览表 TOLERANCE UNLESS OTHERWISE				KH-AF90QCSMT-10-H6.3			0755-83044319		
X.	±0.25	X.	±5.°	单位	MM	制图	Z-Y-B	制图料号	
.X	±0.20	.X	±2.°	UNITS		DRAWING		PRODUCT PART NO.	
.XX	±0.15	.XX	±1.°	比例	1:1	审核		产品名称	
.XXX	±0.10	.XXX	±0.5°	SCALE		CHKD		PRODUCT NO.	
				日期	2017.03.16	核准		角法	
				DATE		APPD		VIEW	
								版本	
								VER	
								AO	

USB A/F 两脚插板无卷边端子SMT(短体10.0 H=6.3)