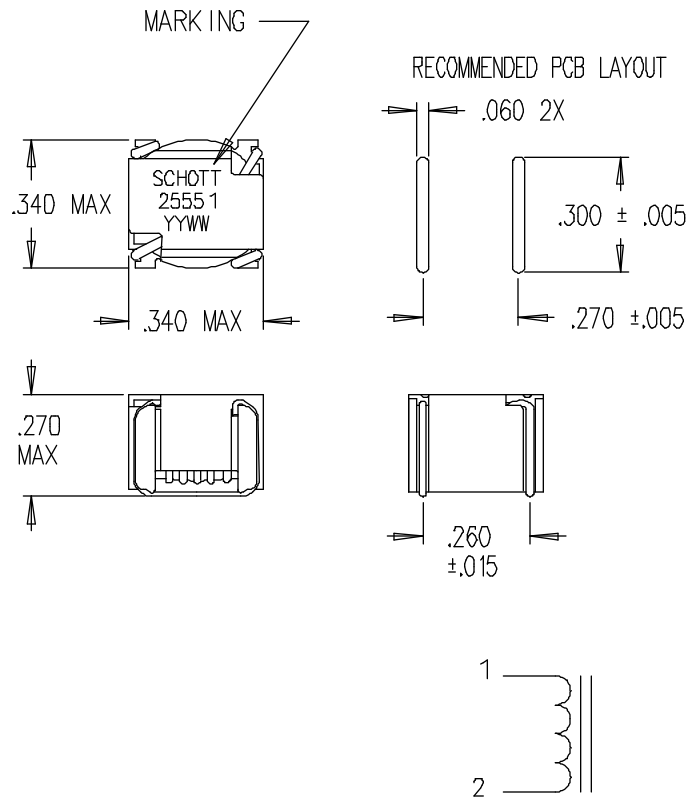


TITLE INDUCTOR	SCHOTT CORPORATION 1000 PARKERS LAKE ROAD MINNEAPOLIS, MN 55391	PART NUMBER 25551
-------------------	---	-----------------------------

SPECIFICATIONS

- INDUCTANCE : @ 0.1 Vrms, 10 KHz
 @ 0 Adc = 1.10 μ Hy \pm 10%
 @ 3.4 Adc = 0.76 μ Hy MIN
- DC RESISTANCE : 14 m Ω MAX



All statements and technical information contained herein are believed to be accurate, but the accuracy and completeness thereof is not guaranteed. "Schott" is a trademark of Schott Corporation. All other trademarks and trade names are the property of their respective holders