

# 承認書

## SPECIFICATION FOR APPROVAL

<i>CUSTOMER:</i>	
<i>CUSTOMER P/N:</i>	01
<i>CUSTOMER PART NO:</i>	
<i>DESCRIPTION:</i>	BCRH8D43-101
<i>PRODUCTS NO:</i>	<i>BC REV: 01</i>
<i>PRODUCTS REV:</i>	A
<i>DATE:</i>	2017-12-2

### PURCHASER CONFIRMED

<i>PURCHASER CONFIRMED</i>		

### REMARK

<i>REMARK</i>
---------------

### PROVIDER ENGINEER DEPT.

<i>APPROVAL BY</i>	<i>CHECK BY</i>	<i>DRAWN BY</i>
Eng	Yasir	daixin



誠陽實業有限公司

TAIPEI OFFICE TAIWAN CHENG YANG COMPONENT CORP

2F-1, NO. 176, Chine-Yi Road., Zhonghe District, New Taipei City, TAIWAN(R.O.C)

新北市中和區建一路176號2樓之一

POSTAL CODE: 23500

TEL NO.:+886-2- 8228-0930 FAX NO.:+886-2-8228-0929 E-mail:h21803@ms29.hinet.net



寶誠電子有限公司

CHINA FACTORY ZHUHAI BAO CHENG ELECTRONICSCO.,LTD

Guan Tang Industrial Park, Tang Jia Wan Town, Zhuhai City, Guangdong Province, CHINA

中國廣東省珠海市塘家灣鎮官塘工業區

POSTAL CODE: 519085

TEL NO:86-756-3383187 FAX NO:86-756-3380704 E-mail: baocheng@baocheng.biz



昆山誠陽電子有限公司

CHINA FACTORY KUNSHAN CHENG YANG ELECTRONICSCO.,LTD

Qiang-An Road., High-Tech. Industrial Park, Kunshan City, Jiangsu Province, China

江蘇省昆山市高科技工業園區強安路35號

POSTAL CODE: 215300

TEL NO:86-512-57823500 FAX NO:86-512-57823503 E-mail: kscy@taiwan-chengyang.com.tw

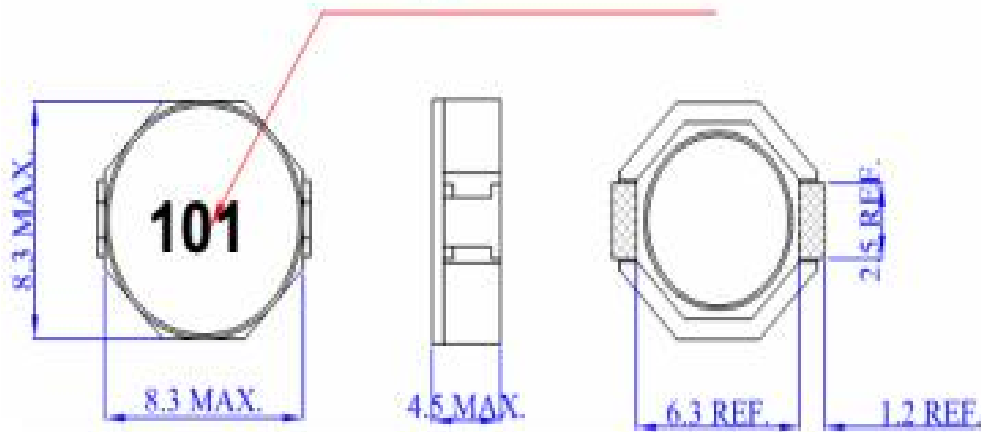
SPECIFICATION FOR APPROVAL

DATE: 2017-12-2

CUSTOMER:	CUSTOMER PART NO:	PRODUCTS REV: A
DESCRIPTION: BCRH8D43-101	PRODUCTS NO:	BC REV: 01

**SHAPE & DIMENSION (UNIT:mm)**

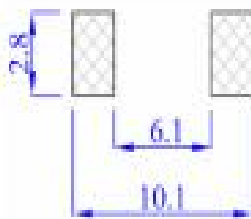
Marking : Inductance value



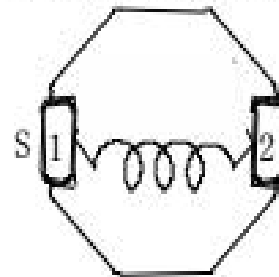
Marking Code: **101** Size: **3.8\*2.1**

Color: 黑色 typeface: Arial

**PAD LAYOUT(MM):**



**ELECTREICAL SCHEMATIC:**



APPROVAL BY

CHECK BY

DRAWN BY

Eng

Yasir

daixin

## SPECIFICATION FOR APPROVAL

DATE: 2017-12-2

CUSTOMER:	CUSTOMER PART NO: 0	PRODUCTS REV: A
DESCRIPTION: BCRH8D43-101	PRODUCTS NO: 0	BC REV: 01

**ELECTREICAL SPECIFICATION**

MEAS. ITEM	SPEC.	TEST FREQ.	CONDITIONS
<b>L</b>	<b>100 <math>\mu</math>H <math>\pm</math> 20%</b>	<b>100KHz/0.25V</b>	<b>Ta=25<math>^{\circ}</math>C , Idc=0A</b>
<b>DCR</b>	<b>360.0 m<math>\Omega</math> Max.</b>		<b>Ta=25<math>^{\circ}</math>C</b>
<b>Isat</b>	<b>0.90 A Max.</b>	<b>100KHz/0.25V</b>	<b><math>\Delta</math>L/L<math>\leq</math>35%</b>
<b>Irms</b>	<b>0.99 A Max.</b>	<b>100KHz/0.25V</b>	<b><math>\Delta</math>T<math>\leq</math>40<math>^{\circ}</math>C</b>

**GENERAL SPECIFICATION**Electrical specifications : at 25 $^{\circ}$ COperation Temperature : -40~+125 $^{\circ}$ CStorage Temperature : -40~+125 $^{\circ}$ C(1)WIRE TYPE:  $\phi$  P180G1-0.20mm

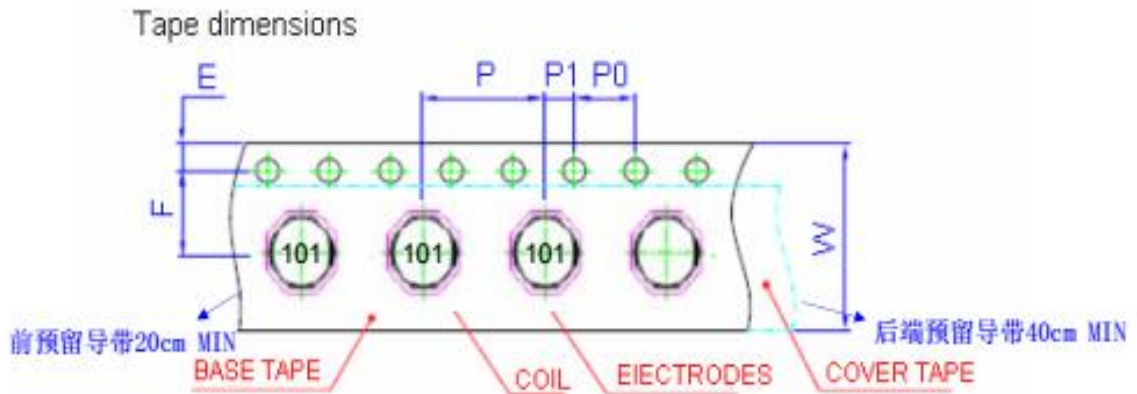
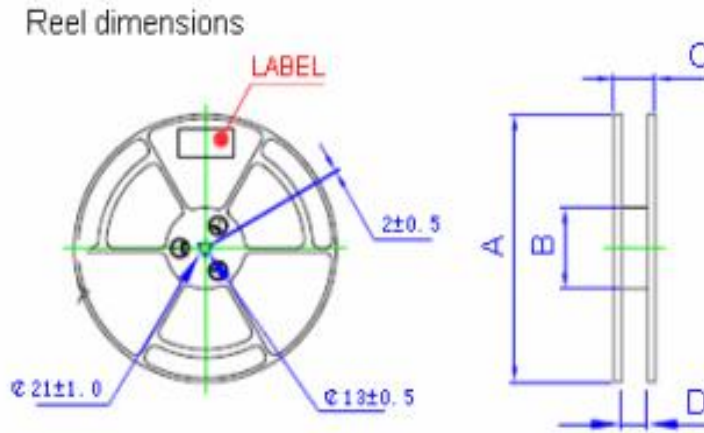
(2)WINDING:34.5Ts(REF)

APPROVAL BY	CHECK BY	DRAWN BY
Eng	Yasir	daixin

SPECIFICATION FOR APPROVAL

DATE: 2017-12-2

CUSTOMER:	CUSTOMER PART NO: 0	PRODUCTS REV: A
DESCRIPTION: BCRH8D43-101	PRODUCTS NO: 0	BC REV: 01



Packaging

UNIT:mm

ITEM	A	B	C	D	F	E	W	P	P0	P1	Quantity
DIM	330	90	20.4	16.4	7.5	1.75	16	16	4	2	500 pcs/reel

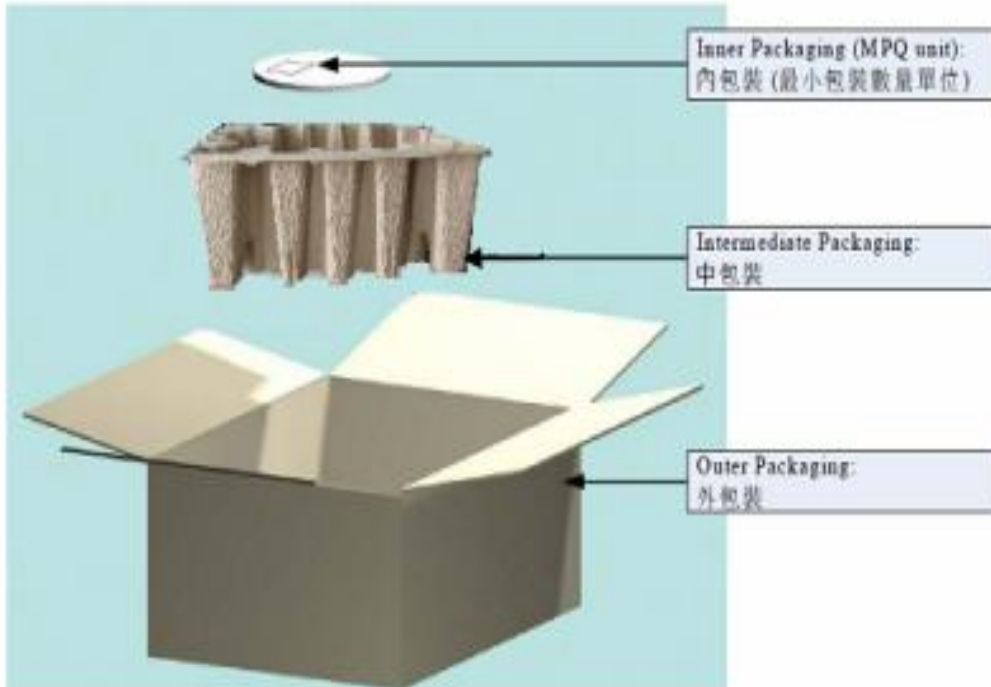
热封, 无中孔载带, 蓝色卷盘

APPROVAL BY	CHECK BY	DRAWN BY
Eng	Yasir	daixin

SPECIFICATION FOR APPROVAL

DATE: 2017-12-2

CUSTOMER:	CUSTOMER PART NO: 0	PRODUCTS REV: A
DESCRIPTION: BCRH8D43-101	PRODUCTS NO: 0	BC REV: 01



- 1.1 外箱: 42.5\*40.5\*17 cm 一箱裝 4卷制品
- 1.2 防振箱2纸托
- 1.3 外箱材質: A三A
- 1.4 纸托材質: A=A
- 1.5 每一卷制品用一只静电袋包裝
- 1.6 每一静电袋內放一只袋干燥剂
- 1.7每一卷上面依标签样式的要求贴上标签明细
- 1.8 出货內外箱贴上该箱內实际內容明细
- 1.9 出货标签规格如下: 尺寸=长度:39mm 宽度:29mm

<b>APPROVAL BY</b>	<b>CHECK BY</b>	<b>DRAWN BY</b>
Eng	Yasir	daixin

