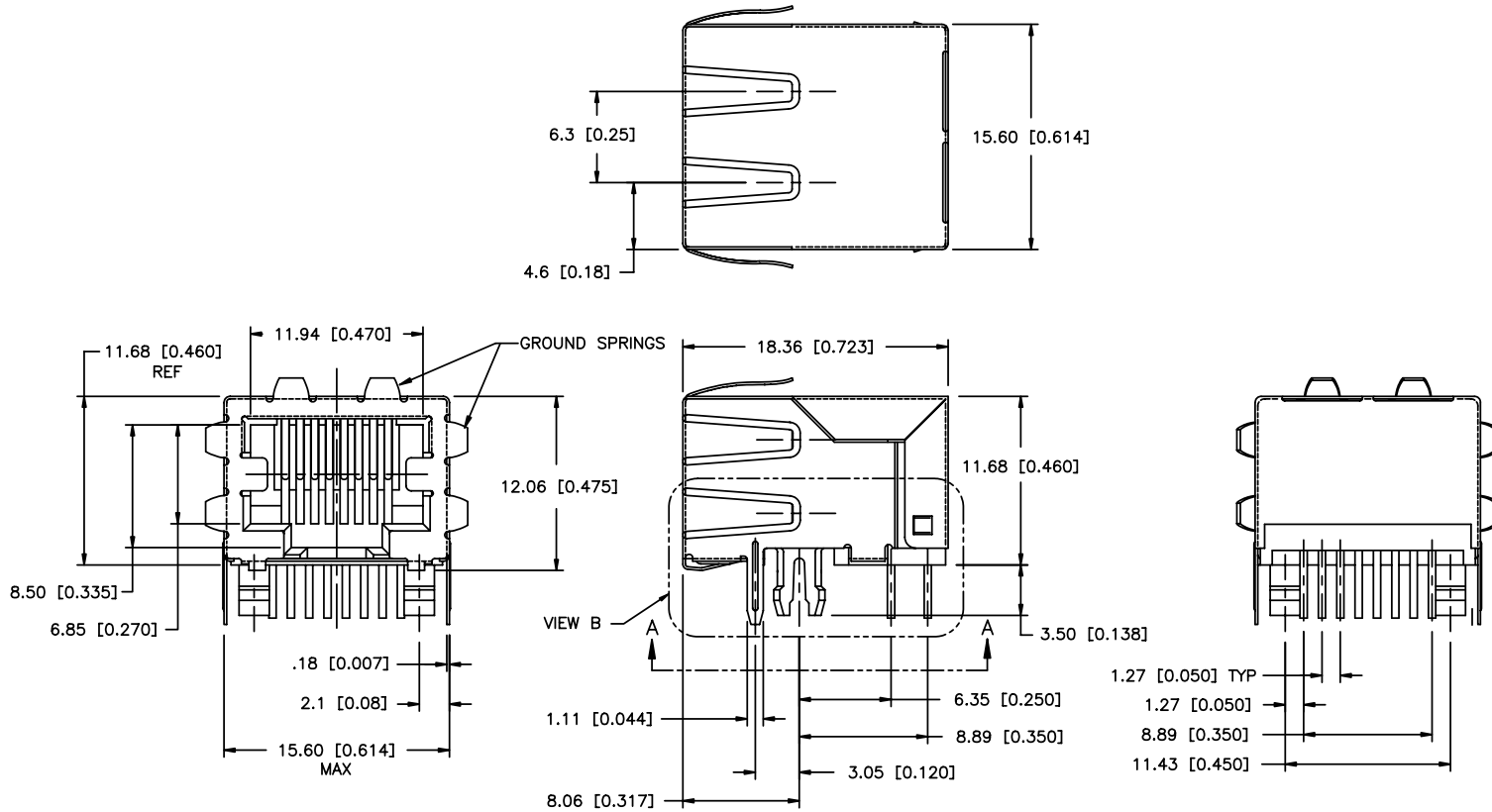


Tous droits strictement reserves. Reproduction ou communication a des tiers interdite sous quelque forme que ce soit sans autorisation ecrite du proprietaire. Propriete de c FCI. Droits de reproduction FCI.



All rights strictly reserved. Reproduction or issue to third parties in any form whatever is not permitted without written authority from the proprietor. Property of FCI. Copyright FCI.

PRODUCT NO.  
SEE TABLE



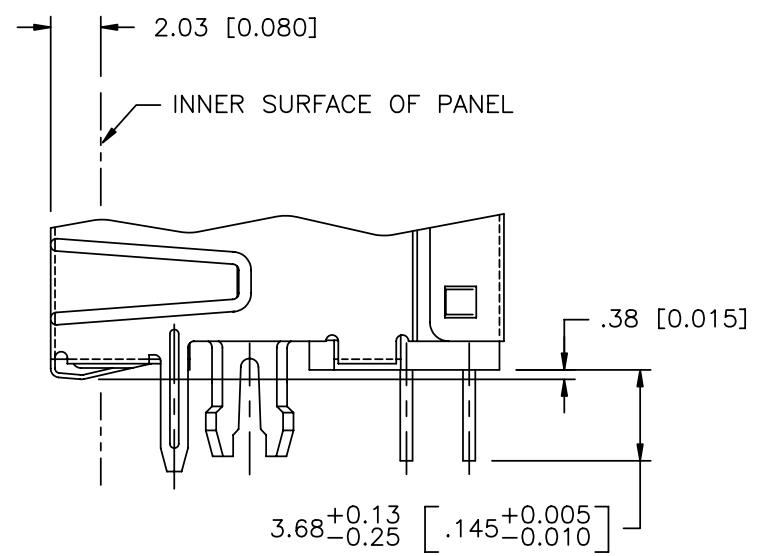
mat'l. code				tolerances unless otherwise specified		CUSTOMER COPY	www.fciconnect.com
ltr	ecn no	dr	date	linear	.x±.3/.xx ±.01		
F	V80459	LP	3/25/98		.xx±.13/.xxx ±.005	projection	title 8 POS LOW PROFILE PCB III SHIELDED MODJACK ASSEMBLY
G	V81277	GAH	3/25/98		.xxx±.051/.xxxx ±.0020		
H	V81819	CGC	10/27/98	angles	0° ±2'	MM/INCH	product family MODJACK
J	V00470	BKB	2/1/00	dr	G.HULL	5/28/96	code
K	V01040	CSP	6/1/00	enr	Y.BELOPOLSKY	5/28/96	213
L	V03-1103	PJ	10/16/03	chr	R.HOLLER	5/28/96	sheet
M	M05-0066	ERE	04/15/05	appd	Y.BELOPOLSKY	5/28/96	1 of 3
sheet	revision	M	L	M			
index	sheet	1	2	3			



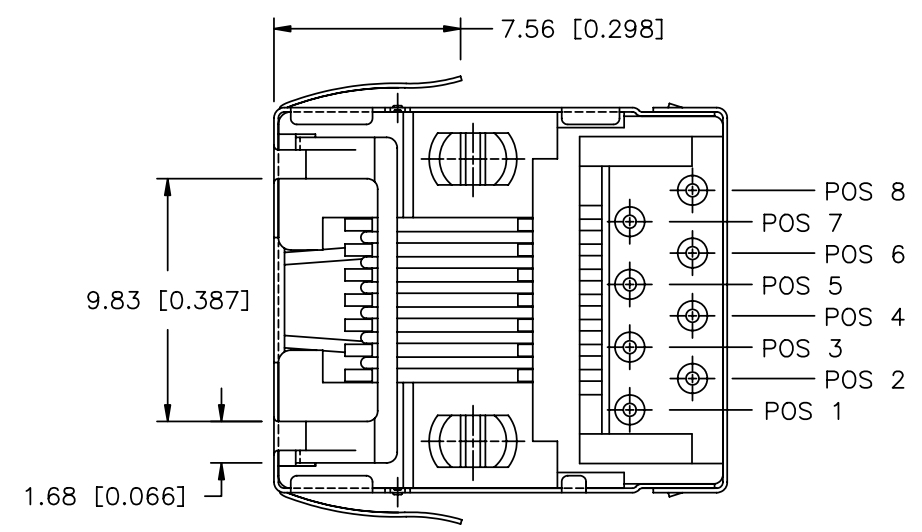
All rights strictly reserved. Reproduction or issue to third parties in any form whatever is not permitted without written authority from the proprietor. Property of FCI. Copyright FCI.

Tous droits strictement reserves. Reproduction ou communication a des tiers interdite sous quelque forme que ce soit sans autorisation ecrite du proprietaire. Propriete de c FCI. Droits de reproduction FCI.

PRODUCT NO.  
SEE TABLE



VIEW B



VIEW A-A

mat'l. code		tolerances unless otherwise specified		CUSTOMER COPY		www.fciconnect.com		
ltr	ecn no	dr	date	linear	projection	title		
L						.X±.3/.XX ±.01/		8 POS LOW PROFILE PCB III SHIELDED MODJACK ASSEMBLY
				.XX±.13/.XXX ±.005	MM/INCH	product family		MODJACK
				.XXX±.051/.XXXX ±.0020		scale	size	dwg no
				angles	2:1		A	72231
				0° ±2'				
				dr	G.HULL	5/28/96		
				enr	Y.BELOPOLSKY	5/28/96		
				chr	R.HOLLER	5/28/96		
				appd	Y.BELOPOLSKY	5/28/96		
sheet index	revision sheet							

Tous droits strictement reserves. Reproduction ou communication a des tiers interdite sous quelque forme que ce soit sans autorisation ecrite du proprietaire. Propriete de c FCI. Droits de reproduction FCI.



All rights strictly reserved. Reproduction or issue to third parties in any form whatever is not permitted without written authority from the proprietor. Property of FCI. Copyright FCI.

PRODUCT NO. SEE TABLE									
PRODUCT NO. 72231-X8YZLF	8 POSITION HOUSING	OPTIONAL LOADING CODE Y	POSITIONS LOADED	CODE Z	GROUND SPRING CONFIGURATIONS	DIAGRAM #1	DIAGRAM #2	DIAGRAM #3	DIAGRAM #4
		4	3,4,5,6	1	DIAGRAM #1				
		6	2,3,4,5,6,7	2	DIAGRAM #2				
		8	ALL POS	3	DIAGRAM #3				
				4	DIAGRAM #4				
PLATING CODE X	PLATING ⑨								
0	.76uM/30u" GXT								
3	.76uM/30u" Au								
5	1.27uM/50u" Au OVER Ni								

GROUND SPRING CONFIGURATIONS AS VIEWED FROM PORT SIDE

NOTE: PLEASE CHECK FOR AVAILABILITY, NOT ALL OPTIONS AVAILABLE.

RECOMMENDED PANEL OPENING

RECOMMENDED P.C.B. LAYOUT  
AS VIEWED FROM TOP SIDE (COMPONENT SIDE)

NOTES:

- RECOMMENDED P.C.B. THICKNESS 1.60 [0.063].
- HOUSING MATL: HIGH TEMPERATURE THERMOPLASTIC MATERIAL, UL94V-0, COLOR BLACK.
- CONTACTS MATL: PHOS BRONZE ALLOY ROUND WIRE. SEE TABLE FOR PLATING.
- SHIELD MATL: PHOS BRONZE ALLOY, BRIGHT TIN PLATE OVER NICKEL UNDERPLATING PER BUS-15-002/M.
- TWO LAYERS OF HIGH TEMP. INSULATING TAPE BETWEEN SHIELD AND SIGNAL CONTACTS.
- LF SUFFIX AT THE END OF PART NUMBER IS LEAD FREE.
- THE HOUSING WILL WITHSTAND EXPOSURE TO 260°C PEAK TEMPERATURE FOR 15 SECONDS IN A WAVE SOLDER APPLICATION WITH A 1.5mm MINIMUM THICK CIRCUIT BOARD. SEE APPLICATION NOTES/PROCEDURES IF THEY ARE AVAILABLE.
- THIS PRODUCT MEETS EUROPEAN UNION DIRECTIVES AND OTHER COUNTRY REGULATION AS DESCRIBED IN GS-22-008.
- PLATING OPTIONS: MAY BE EITHER GOLD OR GXT PLATED AT MANUFACTURER'S OPTION.

mat'l. code		tolerances unless otherwise specified		CUSTOMER COPY		www.fciconnect.com	
ltr	ecn no	dr	date	linear	projection	title	
M						8 POS LOW PROFILE PCB III SHIELDED MODJACK ASSEMBLY	
				angles	MM/INCH	product family MODJACK	
				dr		code	
				enr	scale	size	
				chr		213	
				appd	2:1	sheet	
						3 of 3	
sheet index	revision sheet						

cage code

PDM: Rev:M STATUS: Released 26 Printed: Feb 20, 2010