

4

3

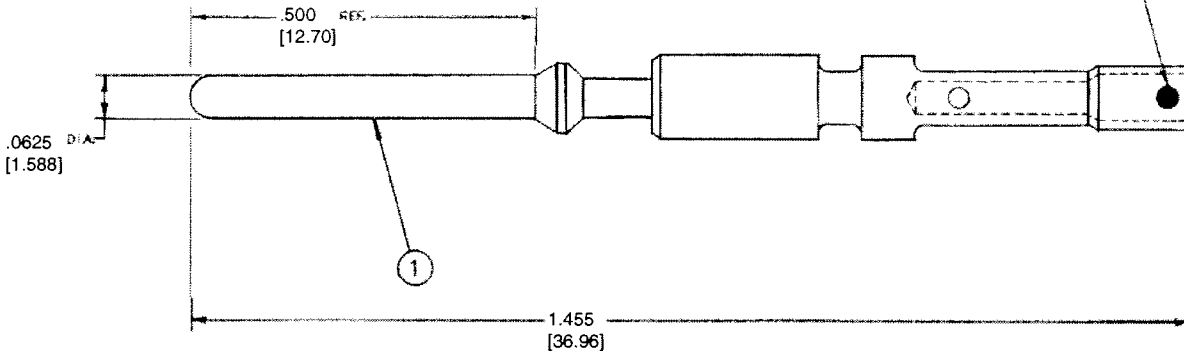
2

1

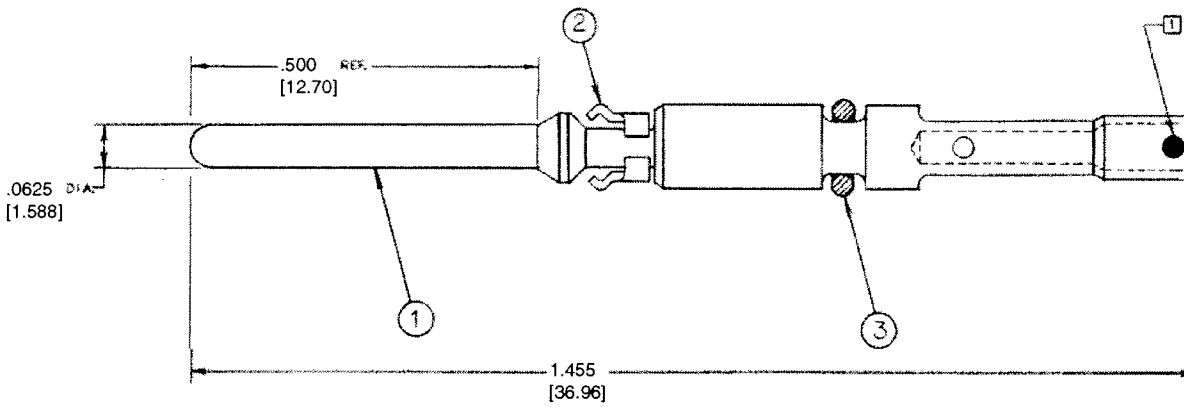
NOTES:

- 1. COLOR CODE AS SHOWN AFTER PLATING WITH A GREEN DOT (.03[±].01)
- 2. DIMENSIONS SHOWN IN BRACKETS [] ARE IN MILLIMETERS & SHOWN FOR REFERENCE.

- ① **PIN CONTACT**
MATERIAL: PHOSPHOR BRONZE
FINISH: GOLD OVER NICKEL
- ② **RETAINER CLIP**
MATERIAL: BERYLLIUM COPPER
FINISH: GOLD OVER COPPER FLASH
- ③ **O-RING**
MATERIAL: VITON, 75 DUROMETER



PART NO. 27258-1
SAME AS 27258 EXCEPT:
LESS CLIP AND O-RING



PART NO. 27258

27258

A

A

DATE	CHKD BY	PSM
5-31-84	5-31-84	1020099
RELEASED	ADDED 27258-1	PER 1985A
BY	BY	BY
A	B	

REF 10241
DEH 401-190

GENERAL NOTES UNLESS OTHERWISE SPECIFIED
 1. ALL DIMENSIONS ARE IN INCHES & MM
 2. ALL DIMENSIONS ARE
 3. REMOVE ALL BURRS TO MAX
 4. BREAK ALL SHARP EDGES EQ TO R MAX
 5. R MAX ON INSIDE CORNERS
 6. ALL DIAMETERS CONCENTRIC TIR MAX
 7. GENERAL SURFACE FINISH TO BE MAX
 8. TOLERANCES

JXX ±
XXX ± .007
ANGLES ±

CLASSIFICATION OF CHARACTERISTICS PER MIL-STD 105
 MAJOR
MINOR

TITLE		PIN CONTACT ASS'Y. OUTLINE	
ACCOMMODATES		20, 22, 24 WIRE	
SCALE	DATE	DATE	DATE
10:1	5-31-84	7-20-84	7-20-84
WINCHESTER	27258		

SCANNED 1