

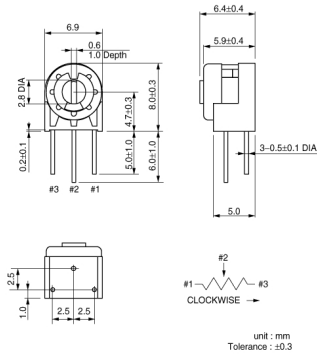
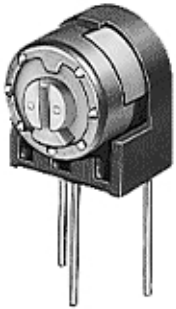
PV32N105A01B00

Discontinued

RoHS

REACH

Appearance & Shape



Features

1. Round body shape enables smaller area mount than same 6mm square potentiometer.
2. Sealed construction protects the interior from dust and liquid, which achieves stable performance.
3. Available for ultrasonic cleaning after soldering.

Packaging Information

Packaging	Specifications	Standard Packing Quantity
B00	Bulk(Bag)	100

Attention

1. This datasheet is downloaded from the website of Murata Manufacturing Co., Ltd. Therefore, its specifications are subject to change or our products in it may be discontinued without advance notice. Please check with our sales representatives or product engineers before ordering.
2. This datasheet has only typical specifications because there is no space for detailed specifications. Therefore, please review our product specifications or consult the approval sheet for product specifications before ordering.

PV32N105A01B00



Specifications

Power Rating	0.5W
Shape	Lead
Maximum Working Voltage	300Vdc
Adjustment Direction	Side
Size	6mm
Auto Adjustment	No
Number of Turns (Effective Rotation Angle)	1(230°±5°)
Mechanical Rotation Angle	270+/-5 deg.
Total Resistance Value	1MΩ
Total Resistance Value Tolerance	±20%
Temperature Coefficient of Resistance	±100ppm/°C
Resistance Taper	B (Linear)
Contact Resistance Variation	Less than 3% of total resistance value or 3ohm, whichever is greater
Residual Resistance	2ohm max.
Torque	1.96 to 19.6mN · m
Measure Condition of RatedPower	70°C
Operating Temperature Range	-55°C to 125°C
Mass	0.65g

Attention

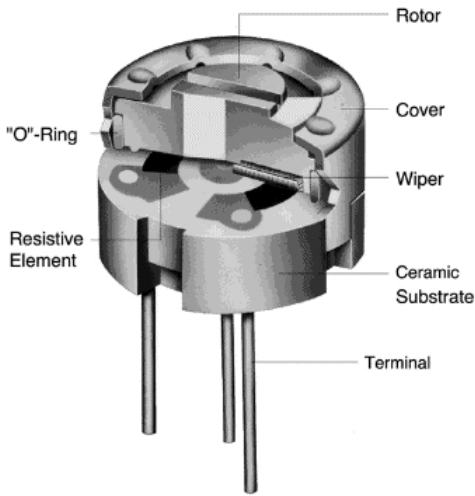
1.This datasheet is downloaded from the website of Murata Manufacturing Co., Ltd. Therefore, it's specifications are subject to change or our products in it may be discontinued without advance notice. Please check with our sales representatives or product engineers before ordering.

2.This datasheet has only typical specifications because there is no space for detailed specifications.

Therefore, please review our product specifications or consult the approval sheet for product specifications before ordering.

PV32N105A01B00

Product Data



Constructions

Attention

1.This datasheet is downloaded from the website of Murata Manufacturing Co., Ltd. Therefore, it's specifications are subject to change or our products in it may be discontinued without advance notice. Please check with our sales representatives or product engineers before ordering.

2.This datasheet has only typical specifications because there is no space for detailed specifications.

Therefore, please review our product specifications or consult the approval sheet for product specifications before ordering.