



- **Highest Stability**
- **Nearly Temperature Independent**
- **Minimum Tolerance**
- **Low Capacity and Inductance**
- **Customized Resistor Values**

SPECIFICATIONS

ELEKTRICAL

	USR 4-4020	UNR 4-4020
Resistance Range :	0R05 ... 500R	note ¹⁾ 0R05 ... 500R
Power Rating :	2.5 W (70°C) without heatsink 30 W* * with heatsink	50 W*
Thermal Resistance Rthj-c :	3.6 K/W	2.2 K/W
Tolerances :		
from 0R05 :	0.1%, 0.25%, 0.5%, 1%	
from 10R :	0.05%, 0.1%, 0.25%, 0.5%, 1%	
from 50R :	0.01%, 0.02%, 0.05%, 0.1%, 0.25%, 0.5%, 1%	
Stability :	0.01%	
Temperature Coefficient :	max. ±5 ppm/K (-55...155)°C typ. ±3 ppm/K (-55...125)°C upon request ±1 ppm/K (0...60)°C	
Voltage Proof :	750 VDC	
Max. Current :	15 A	15 A
Thermal EMF :	<1 µV/K	

ENVIRONMENTAL

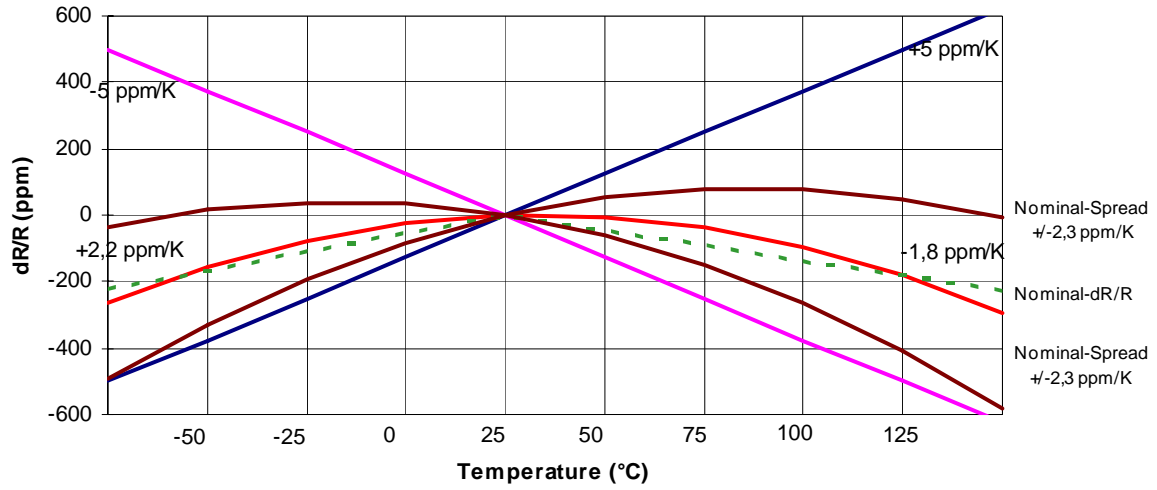
Operating Temperature Range : -55°C...155°C

MECHANICAL

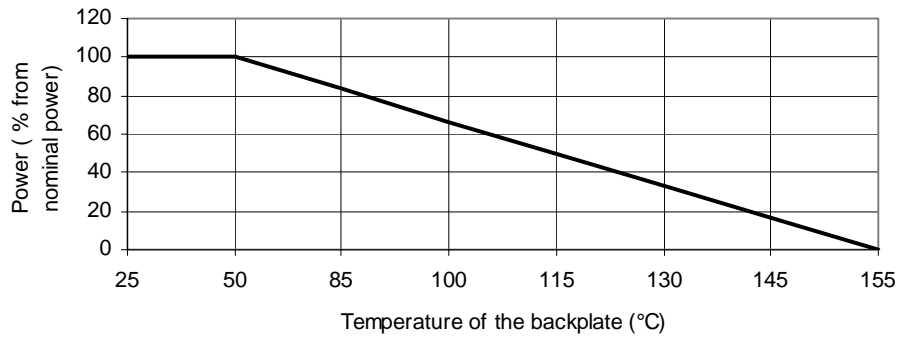
Resistor Material :	NiCr-Foil	
Substrate :	Al ₂ O ₃	AlN
Housing :	Epoxy + Al-heatsink	
Connector Material :	Cu, tinned, 4-pin	
Max. torque backplate :	1.0 Nm	

note¹⁾: Specially designed for applications with fast changing electrical load.

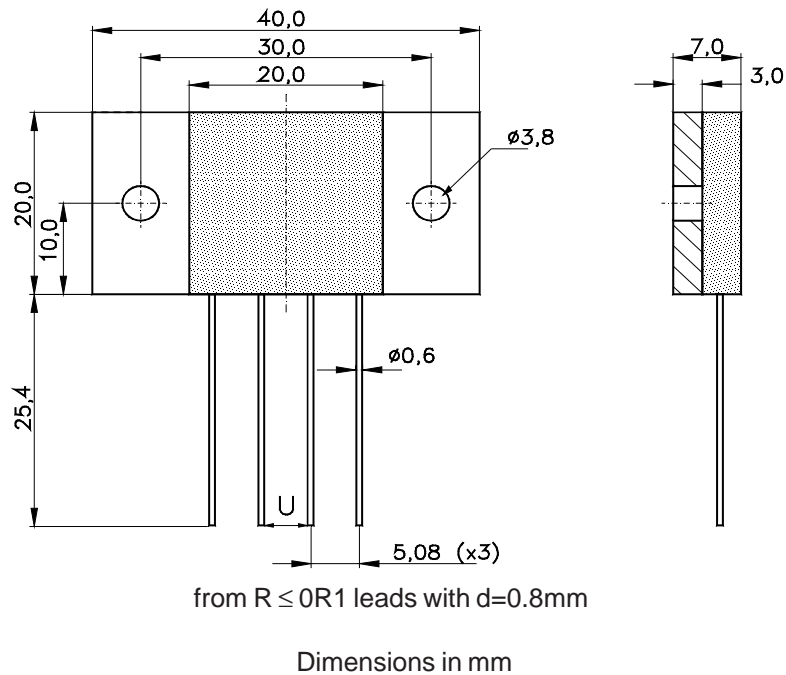
TEMPERATURE COEFFICIENT



DERATING CURVE



DIMENSIONS



HOW TO ORDER

USR 4-4020 0R3 D 0.25% TK3

UNR 4-4020 50R D 0.01% TK1