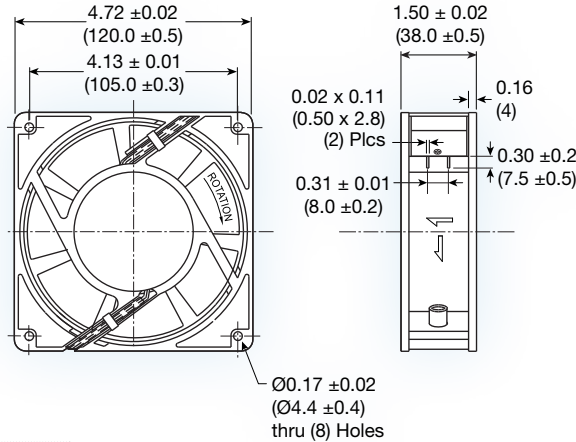


UX12AC series



(398 dia. x 98.3 mm)

4.72 x 4.72 x 1.50 inches

Features: high air flow model

Operating voltage: 115 or 230 VAC

Operating temp: -10°C ~ +60°C

Construction: aluminum die cast frame;
UL94V-0 plastic impeller

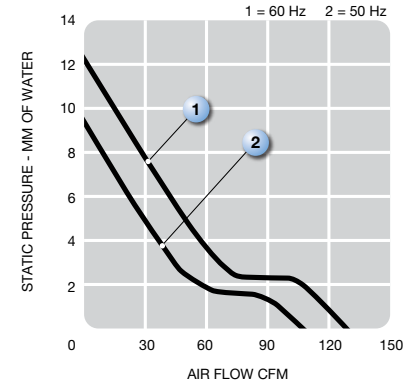
Bearing option: ball bearing

Motor: permanent split capacitor

Air Flow: air exhaust over struts

Connection: terminal or 22 AWG lead wires

Protection: thermal



Model No.	Rated Voltage V	Freq. HZ	Input Power W	Rated Cur. A	Speed RPM	Air Volume		Max. Static Pressure (H ₂ O)		Sound Noise dbA	Weight oz
						M ³ /Min.	CFM	MM	INCH		
UX12AC12- H-7	115	50	22	0.17	2800	3.08	109	9.6	0.38	43	18
		60	22	0.18	3300	3.68	130	12.5	0.50	47	18
UX12AC23- H-7	230	50	21	0.10	2800	3.08	109	9.6	0.38	43	18
		60	21	0.11	3300	3.68	130	12.5	0.50	47	18

