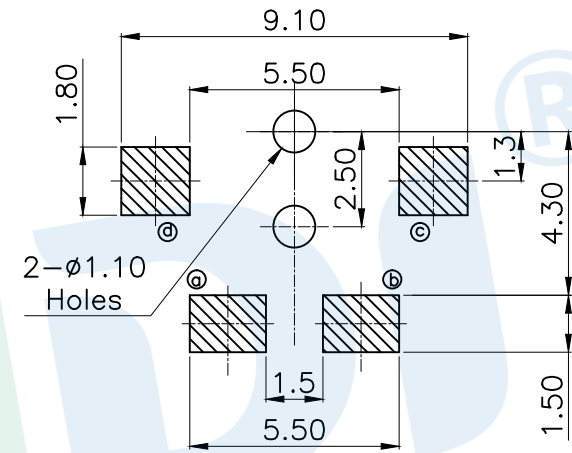
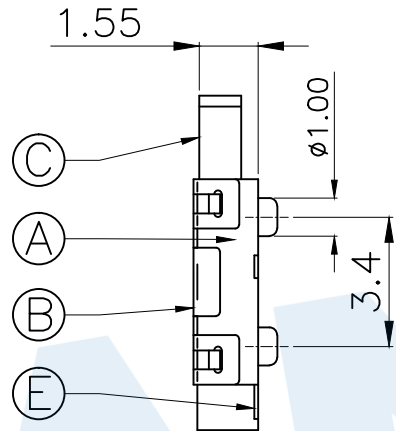
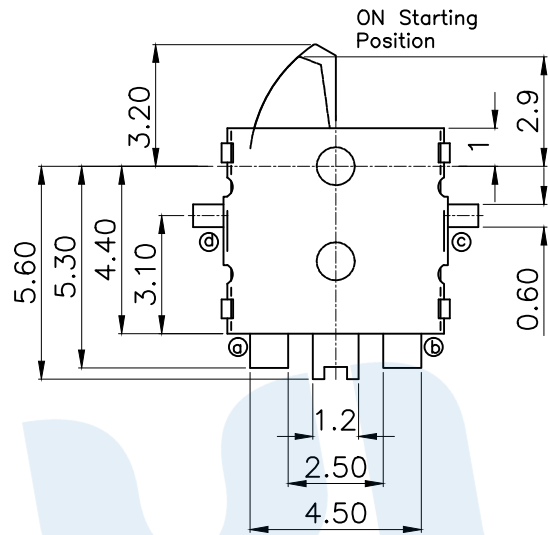
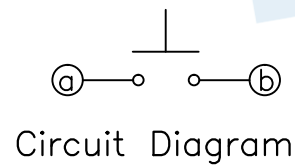
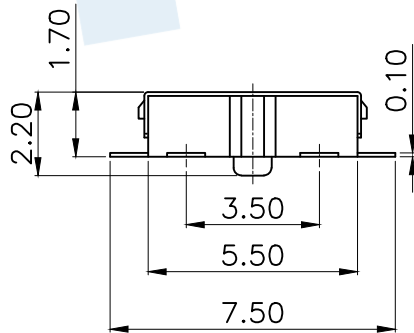


RoHS



PCB Layout (Pattern side)



Technical Parameters

- 1. Rated current: DC 30V 0.1A
- 2. Operating force:  $20 \pm 10$ gf
- 3. Mechanical life: 50,000 times

(E)	Terminal		2	Phosphorus copper	Silvering
(D)	Contact Spring		1	Beryllium Bronze	Silvering
(C)	Button		1	LCP	Black
(B)	Cover		1	SUS	Natural
(A)	Base		1	LCP	Black
NO.	Name	Number	Qty	Material	Remarks

**YUANDI®** Yuandi Electronics Co., Ltd

design	date	name	DETECTION SWITCH
Review	date	model	TQ-2527A
Approved	date		

angle	$\pm 2'$	Design number:	
10~30	$\pm 0.30$	Proportion	1:1
5~10	$\pm 0.20$	unit	mm
~ 5	$\pm 0.10$	mm	gap number
modify	Review	Approved	Tolerance not specified