

**PLEASE CHECK WWW.MOLEX.COM FOR LATEST PART INFORMATION**

**Part Number:** [0513821400](#)  
**Status:** **Active**  
**Overview:** microclasp  
**Description:** 2.00mm (.079") Pitch MicroClasp™ Wire-to-Board Receptacle Housing, Positive Lock, Single Row, 14 circuits

**Documents:**

[3D Model](#) [Product Specification PS-51382-004 \(PDF\)](#)  
[Drawing \(PDF\)](#) [RoHS Certificate of Compliance \(PDF\)](#)

**General**

Product Family Crimp Housings  
 Series [51382](#)  
 Overview [microclasp](#)  
 Product Name MicroClasp™

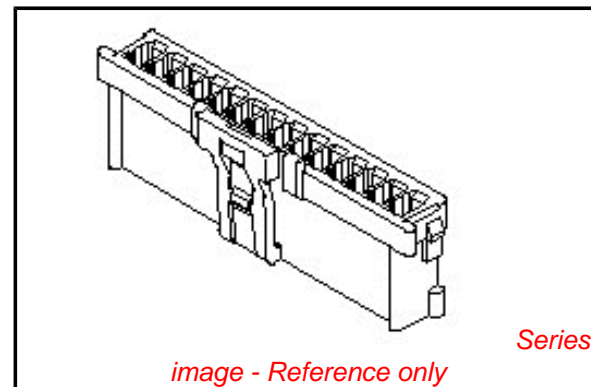
**Physical**

Circuits (maximum) 14  
 Color - Resin White  
 Gender Female  
 Glow-Wire Compliant No  
 Lock to Mating Part Yes  
 Material - Resin Nylon  
 Number of Rows 1  
 Packaging Type Bag  
 Panel Mount No  
 Pitch - Mating Interface (in) 0.079 In  
 Pitch - Mating Interface (mm) 2.00 mm  
 Stackable No  
 Temperature Range - Operating -25°C to +85°C

**Material Info**

**Reference - Drawing Numbers**

Packaging Specification SPK-51382-001  
 Product Specification PS-51382-004, RPS-51382-006, RPS-51382-007, RPS-51382-008, RPS-51382-009, RPS-51382-010, RPS-51382-011, RPS-51382-012, RPS-51382-013, RPS-51382-014, RPS-51382-015  
 Sales Drawing SD-51382-002



**EU RoHS**

**ELV and RoHS Compliant**  
**REACH SVHC Contains SVHC: No**  
**Halogen-Free Status**  
**Not Reviewed**

**China RoHS**



**Need more information on product environmental compliance?**

Email [productcompliance@molex.com](mailto:productcompliance@molex.com)  
 For a multiple part number RoHS Certificate of Compliance, [click here](#)

Please visit the [Contact Us](#) section for any non-product compliance questions.

**Search Parts in this Series**

[51382Series](#)

**Mates With**

[55932](#) Vertical Header, [55935](#) Right Angle Header

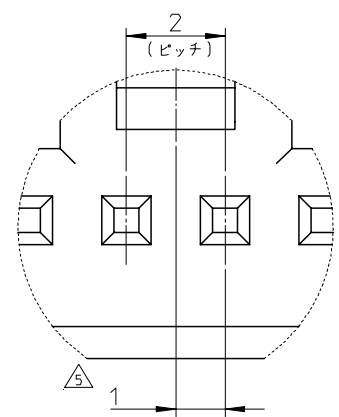
**Use With**

[56134](#)

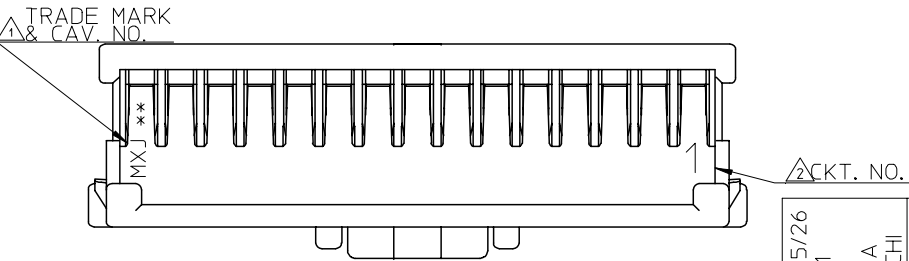
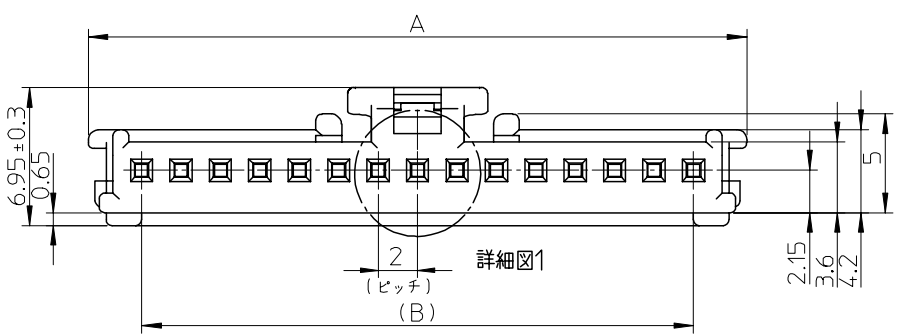
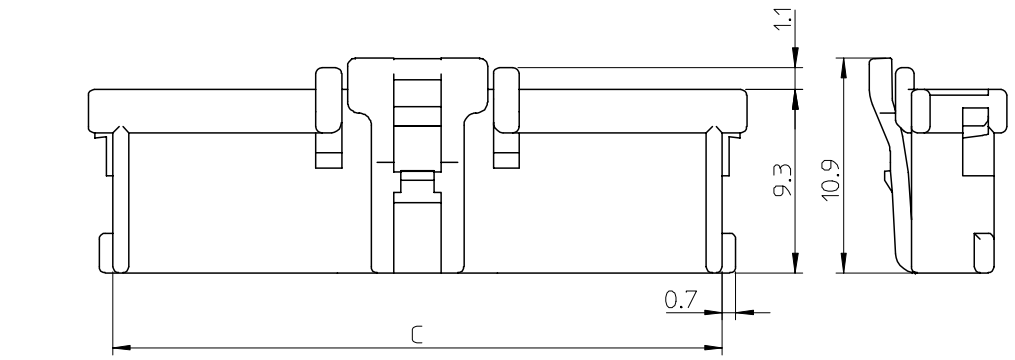
NOTES  
 文字の大きさは0.7にて鮮明な事。  
 △1 SIZE OF LETTERS 0.7 AND CLEAR.  
 文字の大きさは1にて鮮明な事。  
 △2 SIZE OF LETTERS 1 AND CLEAR  
 3. 適合ターミナル: 59370, 56134 シリーズ  
 APPLICABLE TERM.: 59370, 56134 SERIES.  
 4. 嵌合相手: 55932, 55935 シリーズ  
 MATE WITH: 55932, 55935 SERIES.  
 偶数極に適用。  
 △5 APPLY EVEN CIRCUIT  
 6. 材料 66NYLON  
 7. 製品番号  
 MATERIAL NO.  
 51382-\*\*\*\*

極数	色	自然色 (白) NATURAL (WHITE)	00
CTKT	COLOR	黒 BLACK	01
		赤 RED	02
		黄 YELLOW	03
		青 BLUE	04
		桃 PINK	05
		緑 GREEN	06
		茶 BROWN	07
		橙 ORANGE	08
		紫 VIOLET	09
		灰 GRAY	11
		蛍光黄 FLUORESCENCE YELLOW	13
		水 PALE BLUE	14
		黄緑 YELLOWISH GREEN	16

30.9	28	33.4	51382-15**	15
28.9	26	31.4	51382-14**	14
26.9	24	29.4	51382-13**	13
24.9	22	27.4	51382-12**	12
22.9	20	25.4	51382-11**	11
20.9	18	23.4	51382-10**	10
18.9	16	21.4	51382-09**	9
16.9	14	19.4	51382-08**	8
14.9	12	17.4	51382-07**	7
12.9	10	15.4	51382-06**	6
10.9	8	13.4	51382-05**	5
8.9	6	11.4	51382-04**	4
6.9	4	9.4	51382-03**	3
4.9	2	7.4	51382-02**	2
C	B	A	MATERIAL NO.	CKT



詳細図1  
Scale 10:1



REVISED '03/05/26 EC NO: J2003-2951 DRAWN: NITO CHKD: KASAKAWA APPR: T.YAMAGUCHI	GENERAL TOLERANCES (UNLESS SPECIFIED) 一般公差		SCALE 4:1	DESIGN UNITS METRIC	THIRD ANGLE PROJECTION	REVISE ON CAD ONLY
	10 UNDER 未滿	±0.2	DIMENSION STYLE MM ONLY		TITLE 2.0 W/B CONN. HOUSING	
	10 OVER 以上 30 UNDER 未滿	±0.3	DRAWN BY T.NIITSU	DATE '02/31/19	MATERIAL NO. 51382-****	
	30 OVER 以上	±0.3	CHECKED BY T.ITO	DATE '02/10/22	DOCUMENT NO. SD-51382-002	SHEET NO. 1 OF 2
	ANGULAR 角度 ± 3 °		APPROVED BY T.YAMAGU	DATE '02/10/22	MATERIAL NO. 51382-****	
	DRAFT WHERE APPLICABLE MUST REMAIN WITHIN DIMENSIONS		THIS DRAWING CONTAINS INFORMATION THAT IS PROPRIETARY TO MOLEX INCORPORATED AND SHOULD NOT BE USED WITHOUT WRITTEN PERMISSION			

10

9

8

7

6

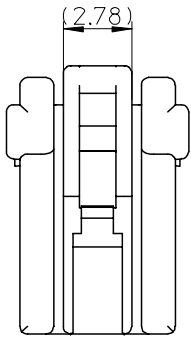
5

4

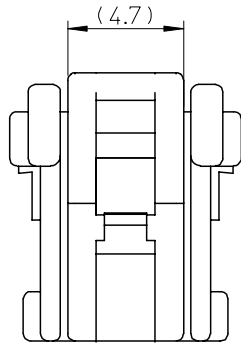
3

2

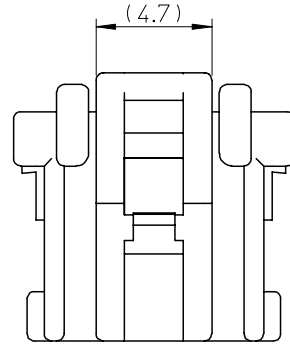
1



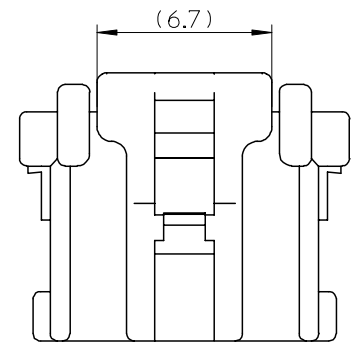
2極品



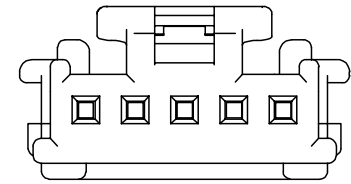
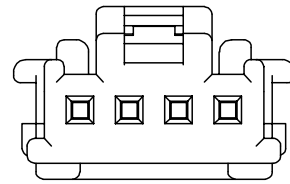
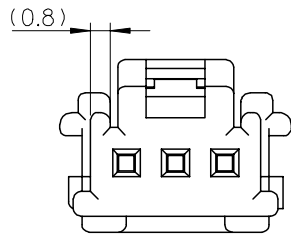
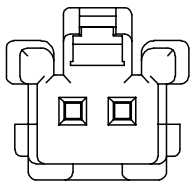
3極品



4極品



5極品以上



F

E

D

C

B

A

F

E

D

C

B

A

REVISED '03/05/26 EC NO: J2003-2951 DRAWN: NJITO CHKD: K.SAKAWA APPR: T.YAMAGUCHI	GENERAL TOLERANCES (UNLESS SPECIFIED) 一般公差		SCALE 5:1	DESIGN UNITS METRIC	THIRD ANGLE PROJECTION	REVISE ON CAD ONLY
	10 UNDER 未満	±0.2	DIMENSION STYLE MM ONLY		TITLE 2.0 W/B CONN. HOUSING	
	10 OVER 以上	30 UNDER 未満	±0.3	DRAWN BY T.NIITSU	DATE '02/3/19	MOLEX INCORPORATED
	30 OVER 以上	±0.3	CHECKED BY T.ITO	DATE '02/10/22		
ANGULAR 角度 ± 3 °		APPROVED BY T.YAMAGU		DATE '02/10/22	MATERIAL NO. 51382-****	DOCUMENT NO. SD-51382-002
DRAFT WHERE APPLICABLE MUST REMAIN WITHIN DIMENSIONS		THIS DRAWING CONTAINS INFORMATION THAT IS PROPRIETARY TO MOLEX INCORPORATED AND SHOULD NOT BE USED WITHOUT WRITTEN PERMISSION				SHEET NO. 2 OF 2

A3

9

8

7

6

5

4

3

2