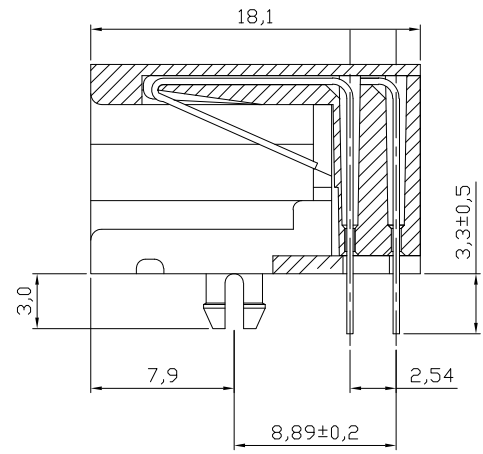
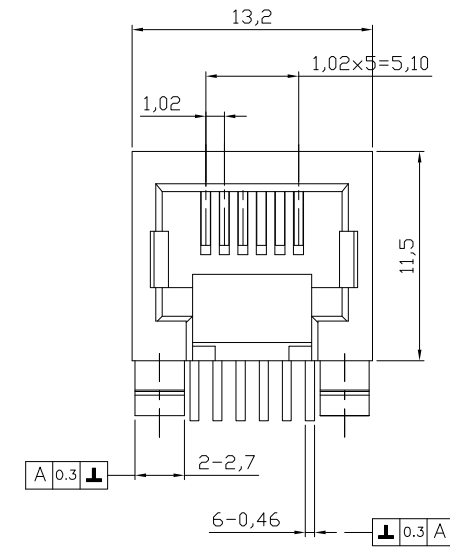


1 2 3 4 5 6 7

A



Section A-A

NOTES:
Mechanical:
 1. Housing material : Glass Filled Polyester UL94V-0 , Color: Black
 2. Contact material: Phosphor Bronze t=0.35mm
 3. Contact plating: Contact area---Selective gold plating
 Tails---Tin plated all over 50u" Nickel
 4. Operating Life: 750 Cycles min.
 5. PCB Retention Pre-solder: 1 LB min.
 6. PCB Retention Post-solder: 10 LBS min.
Electrical:
 1. Voltage Rating: 125VAC.
 2. Current Rating: 1.5AMP.
 3. Contact Resistance: 35mΩ max.
 4. Insulation Resistance: 1000MΩ min. @ 500 VDC
 5. Dielectric Strength: 1000 VAC 60Hz, 1 min.
Environmental:
 1. Storage: -40°C To +85°C
 2. Operation: -40°C~+85°C
 3. Wave Soldering Temp: 200~220°C(5~10S)
 Packing: 120pcs/Tray, 3360pcs/Carton

A

B

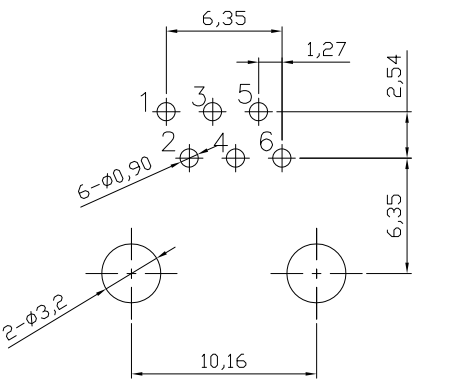
B

C

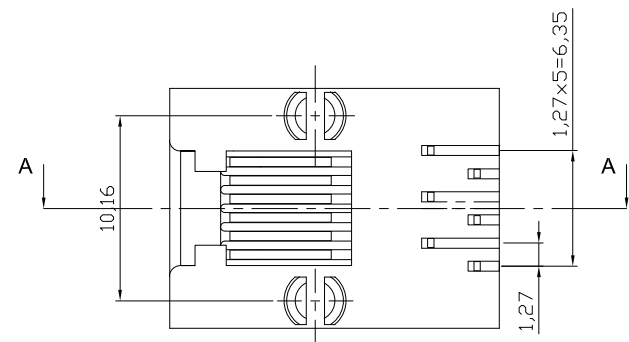
C

D

D



PC Board Layout Component Side Shown



Order code: A-2004-1-X-LP-N

Contact plating:
 1: selective 15u" gold
 2: selective 30u" gold
 3: selective 50u" gold
 4: selective 6u" gold

E

E

F

F

RoHS compliant
 Unit:mm

Scale	Free						Date	Name	Customer-No.
TOLERANCE						Drawn	27.05.2013	Amy	
X.X	±0.20					Approved	27.05.2013	Amy	ASSMANN WSW-No.
X.XX	±0.15								A-2004-1-X-LP-N
X.XXX	±0.10								Drawing-No.
DIM	TOL								ASS 5688 CO
		①	Drawn	27.05.2013	Amy				rev00
Angle	±5°	Id.	Modification	Date	Name			Replace	SHEET

G

G

H

H

1 2 3 4 5 6 7