

SPECIFICATIONS

Rated(额定参数): 300V,12A
 Dielectric strength(抗电强度): AC1500V/1 Minute
 Insulation Resistance(绝缘电阻):1000MΩ Min
 Contact Resistance(接触电阻):20mΩ Max
 Screw Torque(扭矩): 0.4Nm (3.5Lb.in)
 Wire Range(线径):1.4~26AWG
 Strip length(剥线长度):5~6mm
 Temp. range(操作温度): -40°C~+105°C
 MAX Soldering(瞬时温度):+250°C,5s

Housing Material(塑件): PA66 (UL94 V-0)
 Contact(端子): Brass, Tin plating(黄铜镀锡)
 Clamp(方块): Brass/Steel(铜/铁), Ni plating(镀镍)
 Screw (螺丝): M2.5, Steel, Zinc plating(钢,镀锌)

	PITCH RANGE		NOMINAL DIMENSION RANGE	
	IN MM	IN MM	IN MM	IN MM
TO	6	10	30	60
TO	10	TO	TO	100
TO	10	24	60	100
TO	10	24	60	150
±0.10	±0.15	±0.25	±0.30	±0.50
			±0.30	±0.70
				±1.00

Ordering Information

JL 127 - XXX XX X X 1

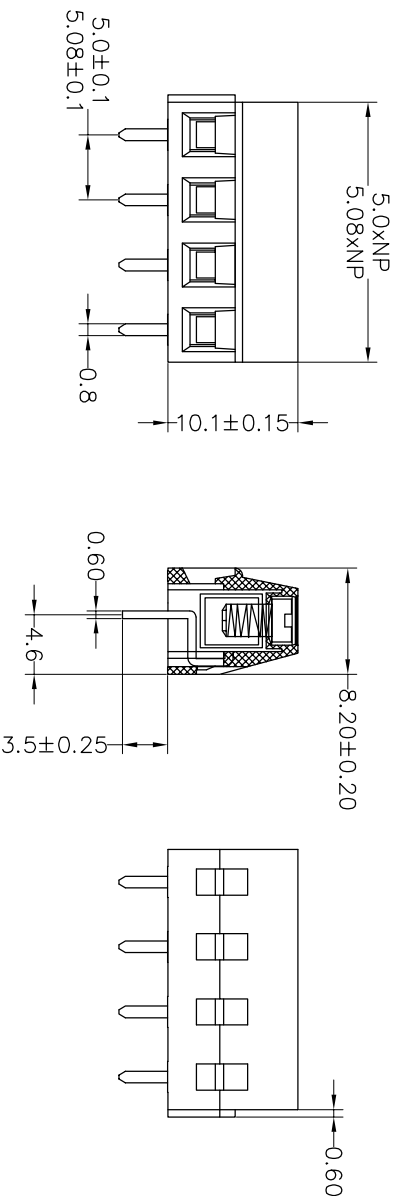
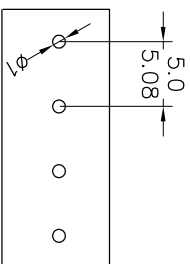
Pitch
500=5.0PH
508=5.08PH

No. of pins
2P,3P,4P~24P

Housing Color
B=Black
G=Green
U=Blue
R=Red
W=White
Y=Yellow
O=Orange
E=Grey

Packing
0=Pe bag
T=Tube
A=Troy

Recommended P.C.B Layout(Top Side)



REV	DATE	MODIFICATION DESCRIPTION	CHANGE	OPERATION		DRAW	Yiyusheng	17.01.03	SCALE	FIT	PART NO.	TITLE:
				UNIT	SIZE				SHEET	PROU.		
A0	2017.01.03	NEW DRAWING		X.X	±0.30	CHECK			A4	1/1	JL 127-XXXXXXXX1	
1				Angle	±0.10	APPROVE						
				DIM	±3°							
				TOL								

JILIN 深圳市锦凌电子有限公司
 SHENZHEN JINLING ELECTRONIC CO.,LTD
 Tel: 86-755-2997-5806/5802 Fax: 86-755-2997-5992

5.00/5.08mm Terminal Blocks Female