

**PLEASE CHECK WWW.MOLEX.COM FOR LATEST PART INFORMATION**

**Part Number:** [0513470300](#)  
**Status:** **Active**  
**Description:** 3.30mm (.130") Pitch Wire-to-Wire Receptacle Housing, Positive Lock, Single Row, 3 Circuits, White

**Documents:**

[Drawing \(PDF\)](#) [Product Specification PS-51284-002 \(PDF\)](#)  
[Product Specification PS-51284-001 \(PDF\)](#) [RoHS Certificate of Compliance \(PDF\)](#)

**General**

Product Family Crimp Housings  
 Series [51347](#)  
 Product Name N/A

**Physical**

Circuits (maximum) 3  
 Color - Resin Natural  
 Gender Female  
 Glow-Wire Compliant No  
 Lock to Mating Part Yes  
 Material - Resin Nylon  
 Number of Rows 1  
 Packaging Type Bag  
 Panel Mount No  
 Pitch - Mating Interface (in) 0.130 In  
 Pitch - Mating Interface (mm) 3.30 mm  
 Polarized to Mating Part Yes  
 Stackable No  
 Temperature Range - Operating -25°C to +85°C

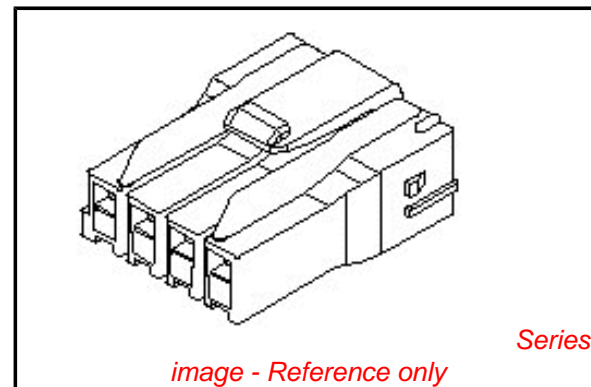
**Electrical**

Current - Maximum per Contact 4A

**Material Info**

**Reference - Drawing Numbers**

Product Specification PS-51284-001, PS-51284-002, RPS-51284-003, RPS-51284-004, RPS-51284-006, RPS-51284-007, RPS-51284-008, RPS-51284-009, RPS-51284-011  
 Sales Drawing SD-51347-001, SD-51347-002



**EU RoHS**

**ELV and RoHS Compliant**  
**REACH SVHC**  
**Contains SVHC: No**  
**Halogen-Free Status**

**China RoHS**



**Need more information on product environmental compliance?**

Email [productcompliance@molex.com](mailto:productcompliance@molex.com)  
 For a multiple part number RoHS Certificate of Compliance, [click here](#)

Please visit the [Contact Us](#) section for any non-product compliance questions.

**Search Parts in this Series**

[51347Series](#)

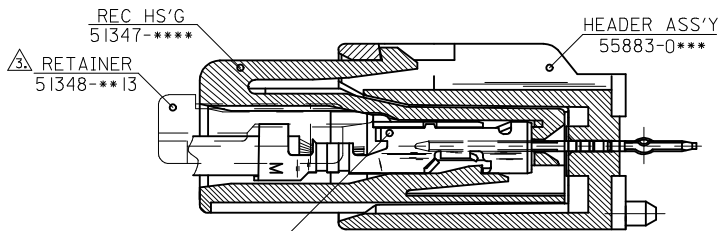
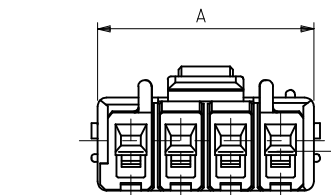
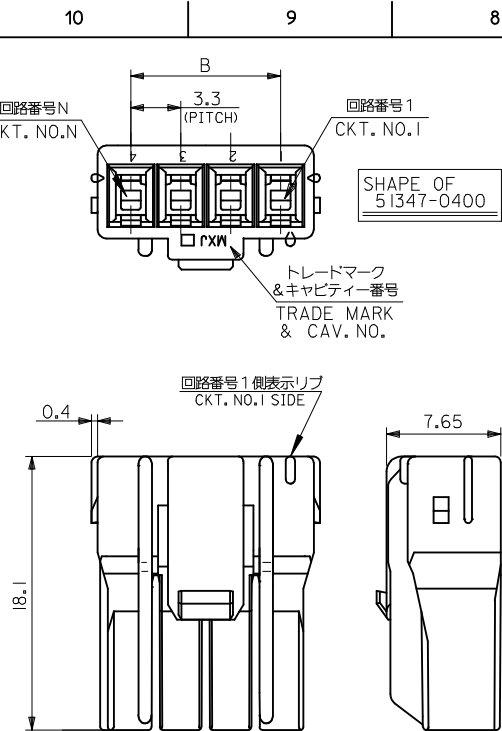
**Mates With**

[51346-0300](#)

**Use With**

[51348](#) , [56187](#)

**PLEASE CHECK WWW.MOLEX.COM FOR LATEST PART INFORMATION**

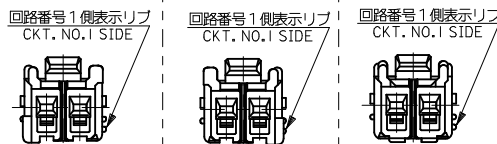
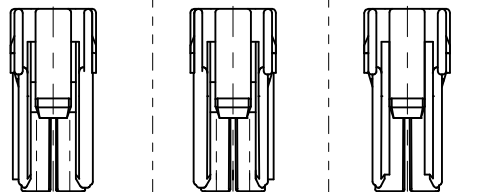


REC TERM  
56187/56188-8\*00  
501395/500989-1\*00

嵌合断面図  
MATED CROSS SECTION

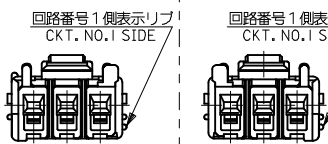
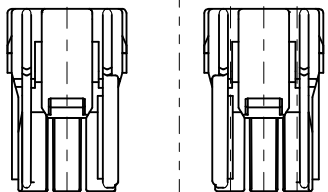
各種形状を下記に参考として示す。  
尚、2種及び3種については嵌合間口にて誤嵌合/バリエーションを持たせている為組み合わせには注意して下さい。

2極品の形状  
SHAPE OF 2 CIRCUITS



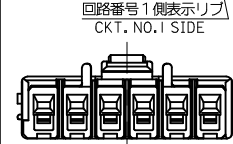
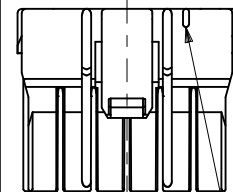
SHAPE OF 51347-0200    SHAPE OF 51347-0212    SHAPE OF 51347-0224

3極品の形状  
SHAPE OF 3 CIRCUITS



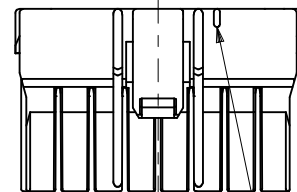
SHAPE OF 51347-0300    SHAPE OF 51347-0312

6極品の形状  
SHAPE OF 6 CIRCUITS



SHAPE OF 51347-0650

8極品の形状  
SHAPE OF 8 CIRCUITS



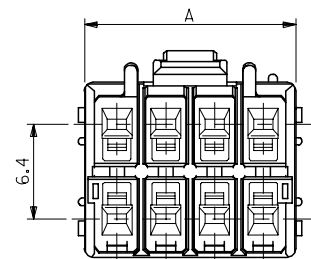
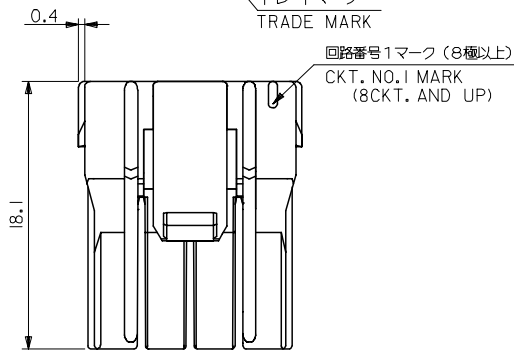
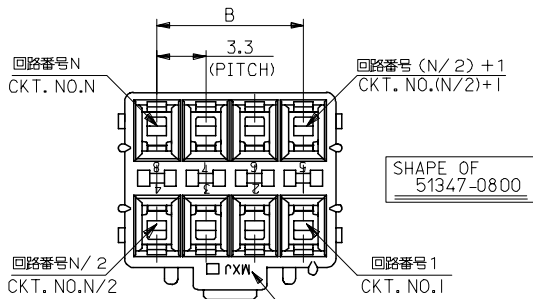
SHAPE OF 51347-0850

- 注記 NOTES
- △ 適合ターミナル : 56187/56188-8\*00, 500989-1\*00  
APPLICABLE TERMINAL  
詳細はSD-56187-002/SD-56188-002/SD-500989-002 参照のこと。  
REFERENCE:SD-56187-002/SD-56188-002/SD-500989-002
  - 2. 嵌合相手 : 55883-\*\*\*\*  
MATE WITH  
詳細はSD-55883-\*\*\*\* 参照のこと。  
REFERENCE:SD-55883-\*\*\*\*
  - △ 適合リテーナー : 51348-\*\*\*1\*  
APPLICABLE RETAINER  
詳細はSD-51348-\*\*\* 参照のこと。  
REFERENCE:SD-51348-\*\*\*
  - 4. 材料 : ポリアミド (PA) UL94V-0  
MATERIAL : POLYAMIDE(PA) UL94V-0
  - 5. ELV及びRoHS 適合品  
ELV AND RoHS COMPLIANT

COLOR	B	A	CKT.	MATERIAL NO.	MODEL NO.
NATURAL (IVORY)	23.1	27.5	8	51347-0850	51347-****
NATURAL (IVORY)	16.5	20.9	6	-0650	
NATURAL (IVORY)	9.9	14.3	4	-0400	
RED	6.6	11		-0312	
NATURAL (IVORY)	6.6	11	3	-0300	
BLUE	3.3	7.7		-0224	
RED	3.3	7.7	2	-0212	
NATURAL (IVORY)	3.3	7.7		51347-0200	

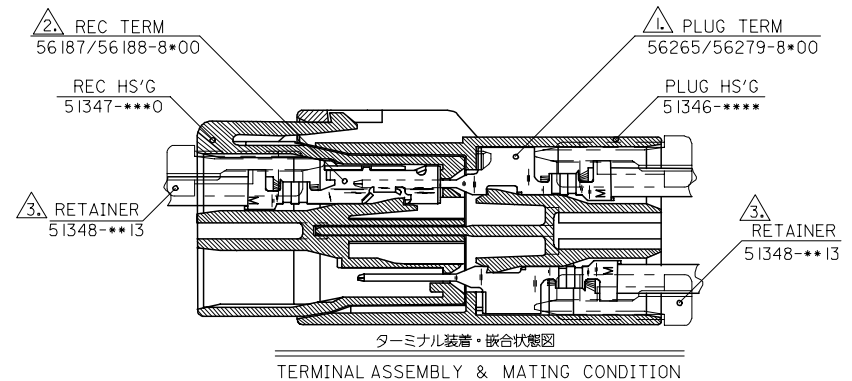
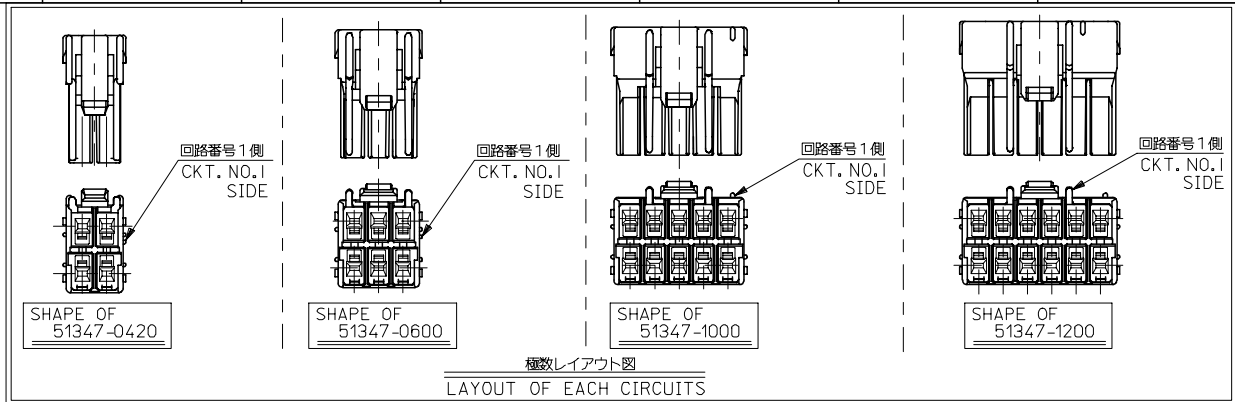
MATERIAL 材料	注記参照 SEE NOTES.	REVISED EC NO.: J2010-0432 DRWN: YOSHIKAWA 2009/09/11 CHKD: K. ASAKAWA 2009/09/14 APPR: NUKITA 2009/09/15	GENERAL TOLERANCES (UNLESS SPECIFIED)	DIMENSION STYLE MM ONLY	SCALE ---	DESIGN UNITS METRIC	TITLE 3.3 W/B CONN REC HSG
FINISH 仕上げ	#	REV DESCRIPTION	10 UNDER ±0.2	DRAWN BY T. ODA	DATE 2004/01/15	MOLEX MOLEX INCORPORATED	SHEET NO. 1 OF 1
WIRE RANGE 適用電線範囲	#		10 OVER 30 UNDER ±0.25	CHECKED BY S. ICHIKAWA	DATE		
INS. RANGE 被覆外径	#		30 OVER ±0.3	APPROVED BY Y. ITO	DATE		
			ANGULAR ±3 °	MATERIAL NO. SEE CHART	DOCUMENT NO. SD-51347-001		
			DRAFT WHERE APPLICABLE MUST REMAIN WITHIN DIMENSIONS	SIZE A3	THIS DRAWING CONTAINS INFORMATION THAT IS PROPRIETARY TO MOLEX INCORPORATED AND SHOULD NOT BE USED WITHOUT WRITTEN PERMISSION		

本図は2列品を示す  
DUAL ROW ASS'Y



注記  
NOTES

- △ 適合ターミナル: 56187/56188シリーズ  
APPLICABLE TERMINAL : 56187/56188 SERIES
- 2, 嵌合相手 : 51346シリーズ  
MATE WITH : 51346 SERIES
- △ 適合リテーナー : 51348-\*\*\*1\* シリーズ  
APPLICABLE RETAINER : 51348-\*\*\*1\* SERIES
- 4, 材質 : NYLON66, UL94V-0

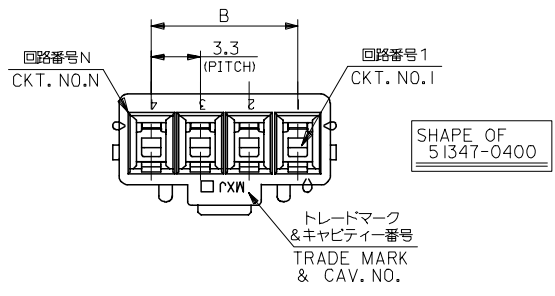


51346-1200	51348-0613	NATURAL	16.5	20.9	12	51347-1200	
-1000	-0513	△	13.2	17.6	10	-1000	51347-****
-0800	-0413	△	9.9	14.3	8	-0800	
-0600	-0313	△	6.6	11	6	-0600	
51346-0420	51348-0213	NATURAL	3.3	7.7	4	51347-0420	
MATE WITH	CONFORMABLE-RETAINER	COLOR	B	A	CKT.	MATERIAL NO.	MODEL NO.

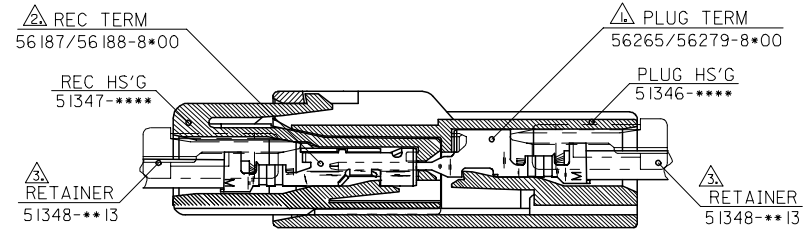
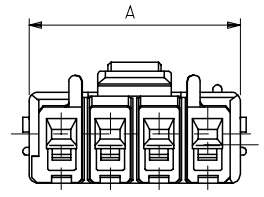
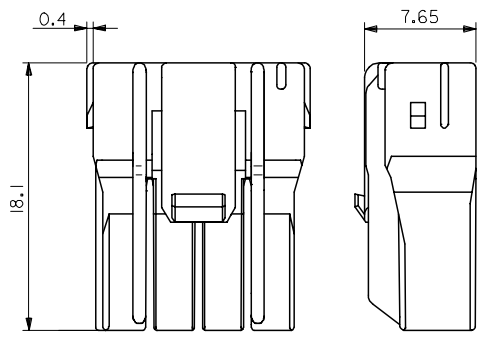
REVISED EC NO: J2008-1833 DRWN: NABEI 2007/11/16 CHKD: THARUYAMA 2007/11/19 APPR: NUKITA 2007/11/20 A	DESCRIPTION GENERAL TOLERANCES (UNLESS SPECIFIED)	10 UNDER	±0.2	DIMENSION STYLE	SCALE	DESIGN UNIT'S	THIRD ANGLE PROJECTION
		10 OVER 30 UNDER	±0.25	MM ONLY	---	METRIC	
		30 OVER	±0.3	T. ODA	DATE	TITLE	
		ANGULAR	±3 °	S. ICHIKAWA	DATE	3.3 W/W CONN REC HS'G	
		DRAFT WHERE APPLICABLE MUST REMAIN WITHIN DIMENSIONS		Y. ITO	DATE	MOLEX INCORPORATED	
		MATERIAL NO.	DOCUMENT NO.	SD-51347-002	SHEET NO.	1 OF 2	
		SIZE	THIS DRAWING CONTAINS INFORMATION THAT IS PROPRIETARY TO MOLEX INCORPORATED AND SHOULD NOT BE USED WITHOUT WRITTEN PERMISSION				

10 9 8 7 6 5 4 3 2 1

本図は1列品を示す  
SINGLE ROW ASS'Y

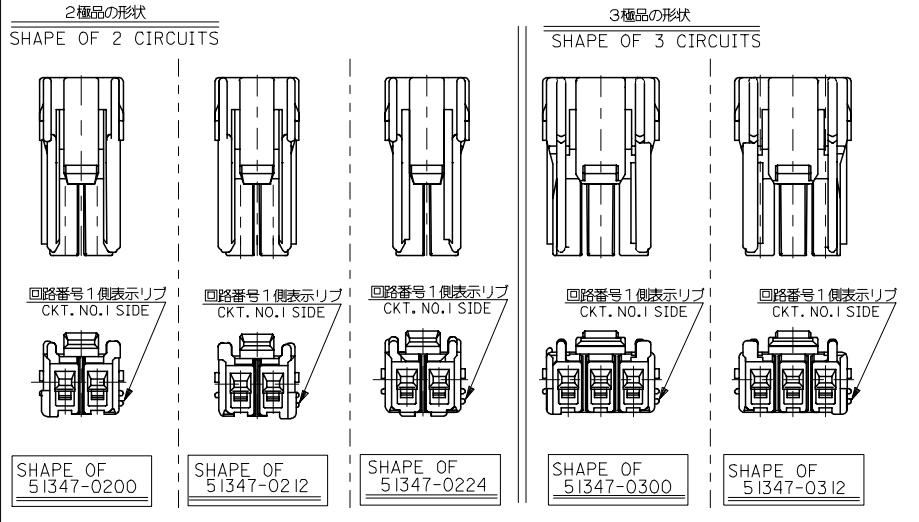


SHAPE OF 51347-0400



ターミナル装着・嵌合状態図  
TERMINAL ASSEMBLY & MATING CONDITION

各種形状を下記に参考として示す。  
尚、2極及び3極については嵌合間口にて誤嵌合パリエーションを持たせている為組み合わせには注意して下さい。



- 注記 NOTES
- △ 適合ターミナル : 56265/56279-8\*00  
APPLICABLE TERMINAL  
詳細はSD-56265-001/SD-56279-001参照のこと。  
REFERENCE:SD-56265-001/SD-56279-001
  - △ 適合ターミナル : 56187/56188-8\*00  
APPLICABLE TERMINAL  
詳細はSD-56187-002/SD-56188-002参照のこと。  
REFERENCE:SD-56187-002/SD-56188-002
  - △ 適合リテーナー : 51348-\*\*\*13  
APPLICABLE RETAINER  
詳細はSD-51348-\*\*\*参照のこと。  
REFERENCE:SD-51348-\*\*\*
  - 4, 材料 : NYLON66, UL94V-0  
MATERIAL

51346-0400	51348-0413	NATURAL	9.9	14.3	4	51347-0400	
-0312	-0313	RED	6.6	11	3	-0312	51347-****
-0300	-0313	NATURAL	6.6	11		-0300	
-0224	-0213	BLUE	3.3	7.7		-0224	
-0212	-0213	RED	3.3	7.7	2	-0212	
51346-0200	51348-0213	NATURAL	3.3	7.7		51347-0200	
MATE WITH	CONFORMABLE-RETAINER	COLOR	B	A	CKT.	MATERIAL NO.	MODEL NO.

REVISED EC NO: J2008-1833 DRAWN: NABE 2007/11/16 CHKD: THARUYAMA 2007/11/19 APPR: NUKITA 2007/11/20	GENERAL TOLERANCES (UNLESS SPECIFIED)		DIMENSION STYLE MM ONLY		SCALE ---	DESIGN UNIT'S METRIC	THIRD ANGLE PROJECTION
	10 UNDER	±0.2	DRAWN BY T.ODA	DATE '04/01/15	TITLE 3.3W/W CONN REC HS'G		
	10 OVER 30 UNDER	±0.25	CHECKED BY S. ICHIKAWA	DATE			
	30 OVER	±0.3	APPROVED BY Y. ITO	DATE	MOLEX INCORPORATED		
	ANGULAR	±3 °	MATERIAL NO.	DOCUMENT NO.	SHEET NO.		
DRAFT WHERE APPLICABLE MUST REMAIN WITHIN DIMENSIONS		SEE TABLE		SD-51347-002		2 OF 2	
THIS DRAWING CONTAINS INFORMATION THAT IS PROPRIETARY TO MOLEX INCORPORATED AND SHOULD NOT BE USED WITHOUT WRITTEN PERMISSION							