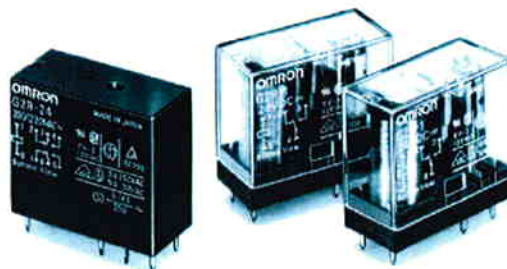


### A Power Relay for a Variety of Purposes with Various Models

- Conforms to VDE (EN61810-1), UL508, CSA22.2.
- Meets EN60335-1 requirements for household products.
- Clearance and creepage distance: 8 mm/8 m.
- Models with CT1250 material available.
- High-sensitivity (360 mW) and high-capacity (16 A) types available.
- Double-winding latching type available.



RoHS Compliant Refer to pages 16 to 17 for details.



## Ordering Information

Classification		Enclosure ratings	Coil ratings	Contact form			
				SPST-NO	SPDT	DPST-NO	DPDT
PCB terminal	General-purpose	Flux protection	AC/DC	G2R-1A	G2R-1	G2R-2A	G2R-2
		Fully sealed		G2R-1A4	G2R-14	G2R-2A4	G2R-24
	Bifurcated contact	Flux protection	DC	G2R-1AZ	G2R-1Z	---	---
		Fully sealed		G2R-1AZ4	G2R-1Z4	---	---
	High-capacity	Flux protection	AC/DC	G2R-1A-E	G2R-1-E	---	---
	High-sensitivity	Flux protection	DC	G2R-1A-H	G2R-1-H	G2R-2A-H	G2R-2-H
Double-winding latching	Flux protection	G2RK-1A		G2RK-1	G2RK-2A	G2RK-2	
Quick-connect (upper bracket mounting)	General-purpose	Unsealed	AC	G2R-1A-T	G2R-1-T	---	---
			DC				

**Note:** 1. When ordering, add the rated coil voltage to the model number.

Example: G2R-1A 12 VDC

Rated coil voltage

2. Models with CT1250 material are also available. Contact your OMRON representative for more details.

## Model Number Legend

G2R --- VDC (VAC)  
 1 2 3 4 5 6 7 8 9

### 1. Relay Function

None: Single-side stable

K: Double-winding latching.

### 2. Number of Poles

1: 1 pole

2: 2 poles

### 3. Contact Form

None: PDT

A: PST-NO

### 4. Contact Type

None: Single

Z: Bifurcated

### 5. Enclosure Ratings

None: Flux protection

4: Fully sealed

### 6. Terminals

None: Straight PCB

T: Quick-connect (upper bracket mounting)

### 7. Classification

None: General-purpose

E: High-capacity

H: High-sensitivity

### 8. Safety standards

None: UL/CSA/VDE/SEV/TÜV

SKVD: UL/CSA/VDE/SEV/TÜV/SEMKO

### 9. Rated Coil Voltage

Refer to *Coil Ratings*.

## Specifications

### ■ Coil Ratings

Rated voltage		12 VAC	24 VAC	100/ (110) VAC	120 VAC	200/ (220) VAC	220 VAC	230 VAC	240 VAC
Rated current	50 Hz	93 mA	46.5 mA	11 mA	9.3 mA	5.5 mA	5.1 mA	4.7 mA	4.7 mA
	60 Hz	75 mA	37.5 mA	9/ (10.6) mA	7.5 mA	4.5 (5.3) mA	4.1 mA	3.8 mA	3.8 mA
Coil resistance		65 Ω	260 Ω	4,600 Ω	6,500 Ω	20,200 Ω	25,000 Ω	26,850 Ω	30,000 Ω
Coil inductance (H) (ref. value)	Armature OFF	0.19	0.81	13.34	21	51.3	57.5	62	65.5
	Armature ON	0.39	1.55	26.84	42	102	117	124	131
Must operate voltage		80% max. of rated voltage							
Must release voltage		30% min. of rated voltage							
Max. voltage		140% of rated voltage (at 23°C)							
Power consumption		Approx. 0.9 VA at 60 Hz (approx. 0.7 VA at 60 Hz)							

Rated voltage		5 VDC	6 VDC	12 VDC	24 VDC	48 VDC	100 VDC
Rated current (50/60 Hz)		106 mA	88.2 mA	43.6 mA	21.8 mA	11.5 mA	5.3 mA
Coil resistance		47 Ω	68 Ω	275 Ω	1,100 Ω	4,170 Ω	18,860 Ω
Coil inductance (H) (ref. value)	Armature OFF	0.20	0.28	1.15	4.27	13.86	67.2
	Armature ON	0.39	0.55	2.29	8.55	27.71	93.2
Must operate voltage		70% max. of rated voltage					
Must release voltage		15% min. of rated voltage					
Max. voltage		170% of rated voltage (at 23°C)					
Power consumption		Approx. 0.53 W					

### High-sensitivity Relays

Rated voltage	5 VDC	6 VDC	12 VDC	24 VDC	48 VDC
Rated current (50/60 Hz) (See note 1.)	71.4 mA	60 mA	30 mA	15 mA	7.5 mA
Coil resistance (See note 1.)	70 Ω	100 Ω	400 Ω	1,600 Ω	6,400 Ω
Coil inductance (H) (ref. value)	Armature OFF	0.37	0.53	2.14	7.80
	Armature ON	0.75	1.07	4.27	15.60
Must operate voltage	70% max. of rated voltage				
Must release voltage	15% min. of rated voltage				
Max. voltage	170% of rated voltage (at 23°C)				
Power consumption	Approx. 0.36 W				

- Note:**
1. The rated current and coil resistance are measured at a coil temperature of 23°C with a tolerance of  $+15\%/_{-20\%}$  (AC rated current) or  $\pm 10\%$  (DC coil resistance).
  2. Operating characteristics are measured at a coil temperature of 23°C.
  3. Depending on the type of Relay, some Relays do not have coil specifications. Contact your OMRON representative for more details.

### Double-winding Latching Relays

Rated voltage	5 VDC	6 VDC	12 VDC	24 VDC	
Set coil	Rated current (See note 1.)	167 mA	138 mA	70.6 mA	
	Coil resistance (See note 1.)	30 Ω	43.5 Ω	170 Ω	
	Coil inductance (H) (ref. value)	Armature OFF	0.073	0.104	0.42
		Armature ON	0.146	0.208	0.83
Reset coil	Rated current	119 mA	100 mA	50 mA	
	Coil resistance	42 Ω	60 Ω	240 Ω	
	Coil inductance (H) (ref. value)	Armature OFF	0.003	0.005	0.018
		Armature ON	0.006	0.009	0.036
Must set voltage	70% max. of rated voltage				
Must reset voltage	70% max. of rated voltage				
Max. voltage	140% of rated voltage (at 23°C)				
Power consumption	Set coil: Approx. 850 mW; Reset coil: Approx. 600 mW				

- Note:**
1. The rated current and coil resistance are measured at a coil temperature of 23°C with a tolerance of  $\pm 10\%$ .
  2. Operating characteristics are measured at a coil temperature of 23°C.

### ■ Contact Ratings

#### PCB/Flux Protection, Quick-connect Terminal Relays

Item	General-purpose, quick-connect terminal				High-capacity	
	1 pole		2 poles		1 pole	
Load	Resistive load ( $\cos\phi = 1$ )	Inductive load ( $\cos\phi = 0.4$ ; L/R = 7 ms)	Resistive load ( $\cos\phi = 1$ )	Inductive load ( $\cos\phi = 0.4$ ; L/R = 7 ms)	Resistive load ( $\cos\phi = 1$ )	Inductive load ( $\cos\phi = 0.4$ ; L/R = 7 ms)
Rated load	10 A at 250 VAC; 10 A at 30 VDC	7.5 A at 250 VAC; 5 A at 30 VDC	5 A at 250 VAC; 5 A at 30 VDC	2 A at 250 VAC; 3 A at 30 VDC	16 A at 250 VAC; 16 A at 30 VDC	8 A at 250 VAC; 8 A at 30 VDC
Rated carry current	10 A		5 A		16 A	
Max. switching voltage	380 VAC, 125 VDC		380 VAC, 125 VDC		380 VAC, 125 VDC	
Max. switching current	10 A		5 A		16 A	
Max. switching power	2,500 VA, 300 W	1,875 VA, 150 W	1,250 VA, 150 W	500 VA, 90 W	4,000 VA, 480 W	2,000 VA, 240 W
Failure rate (reference value)	100 mA at 5 VDC		10 mA at 5 VDC		100 mA at 5 VDC	

**Note:** P level:  $\lambda_{60} = 0.1 \times 10^{-6}$ /operation

## PCB/Flux Protection Relays

Item	Bifurcated contacts		High-sensitivity			
	1 pole		1 pole		2 poles	
Load	Resistive load ( $\cos\phi = 1$ )	Inductive load ( $\cos\phi = 0.4$ ; L/R = 7 ms)	Resistive load ( $\cos\phi = 1$ )	Inductive load ( $\cos\phi = 0.4$ ; L/R = 7 ms)	Resistive load ( $\cos\phi = 1$ )	Inductive load ( $\cos\phi = 0.4$ ; L/R = 7 ms)
Rated load	5 A at 250 VAC; 5 A at 30 VDC	2 A at 250 VAC; 3 A at 30 VDC	5 A at 250 VAC; 5 A at 30 VDC	2 A at 250 VAC; 3 A at 30 VDC	3 A at 250 VAC; 3 A at 30 VDC	1 A at 250 VAC; 1.5 A at 30 VDC
Rated carry current	5 A		5 A		3 A	
Max. switching voltage	380 VAC, 125 VDC		380 VAC, 125 VDC		380 VAC, 125 VDC	
Max. switching current	5 A		5 A		3 A	
Max. switching power	1,250 VA, 150 W	500 VA, 90 W	1,250 VA, 150 W	500 VA, 90 W	750 VA, 90 W	250 VA, 45 W
Failure rate (reference value)	1 mA at 5 VDC		100 mA at 5 VDC		10 mA at 5 VDC	

Note: P level:  $\lambda_{60} = 0.1 \times 10^{-6}$ /operation

## PCB/Fully sealed Relays

Item	General-purpose (single contact)				Bifurcated contact	
	1 pole		2 poles		1 pole	
Load	Resistive load ( $\cos\phi = 1$ )	Inductive load ( $\cos\phi = 0.4$ ; L/R = 7 ms)	Resistive load ( $\cos\phi = 1$ )	Inductive load ( $\cos\phi = 0.4$ ; L/R = 7 ms)	Resistive load ( $\cos\phi = 1$ )	Inductive load ( $\cos\phi = 0.4$ ; L/R = 7 ms)
Rated load	8 A at 250 VAC; 8 A at 30 VDC	6 A at 250 VAC; 4 A at 30 VDC	4 A at 250 VAC; 4 A at 30 VDC	1.5 A at 250 VAC; 2.5 A at 30 VDC	5 A at 250 VAC; 5 A at 30 VDC	2 A at 250 VAC; 3 A at 30 VDC
Rated carry current	8 A		4 A		5 A	
Max. switching voltage	380 VAC, 125 VDC		380 VAC, 125 VDC		380 VAC, 125 VDC	
Max. switching current	8 A		4 A		5 A	
Max. switching power	2,000 VA, 240 W	1,500 VA, 120 W	1,000 VA, 120 W	375 VA, 75 W	1,250 VA, 150 W	500 VA, 90 W
Failure rate (reference value)	100 mA at 5 VDC		10 mA at 5 VDC		1 mA at 5 VDC	

Note: P level:  $\lambda_{60} = 0.1 \times 10^{-6}$ /operation

## Latching Relays

Item	1 pole		2 poles	
	Load	Resistive load ( $\cos\phi = 1$ )	Inductive load ( $\cos\phi = 0.4$ ; L/R = 7 ms)	Resistive load ( $\cos\phi = 1$ )
Rated load	5 A at 250 VAC; 5 A at 30 VDC	3.5 A at 250 VAC; 2.5 A at 30 VDC	3 A at 250 VAC; 3 A at 30 VDC	1.5 A at 250 VAC; 2 A at 30 VDC
Rated carry current	5 A		3 A	
Max. switching voltage	380 VAC, 125 VDC		380 VAC, 125 VDC	
Max. switching current	5 A		3 A	
Max. switching power	1,250 VA, 150 W	875 VA, 75 W	750 VA, 90 W	375 VA, 60 W
Failure rate (reference value)	100 mA at 5 VDC		10 mA at 5 VDC	

Note: P level:  $\lambda_{60} = 0.1 \times 10^{-6}$ /operation

## ■ Characteristics

### Standard Relays

Item	1 pole	2 poles
Contact resistance	30 mΩ max. (high-capacity type: 100 mΩ max.)	50 mΩ max.
Operate (set) time	15 ms max.	
Release (reset) time	AC: 10 ms max.; DC: 5 ms max.	
Max. operating frequency	Mechanical: 18,000 operations/hr Electrical: 1,800 operations/hr (under rated load)	
Insulation resistance	1,000 MΩ min. (at 500 VDC)	
Dielectric strength	5,000 VAC, 50/60 Hz for 1 min between coil and contacts 1,000 VAC, 50/60 Hz for 1 min between contacts of same polarity	5,000 VAC, 50/60 Hz for 1 min between coil and contacts 3,000 VAC, 50/60 Hz for 1 min between contacts of different polarity 1,000 VAC, 50/60 Hz for 1 min between contacts of same polarity
Vibration resistance	Destruction: 10 to 55 to 10 Hz, 0.75-mm single amplitude (1.5-mm double amplitude) Malfunction: 10 to 55 to 10 Hz, 0.75-mm single amplitude (1.5-mm double amplitude)	
Shock resistance	Destruction: 1,000 m/s <sup>2</sup> Malfunction: 200 m/s <sup>2</sup> when energized; 100m/s <sup>2</sup> when no energized	
Endurance	Mechanical: AC coil: 10,000,000 operations min.; DC coil: 20,000,000 operations min. (at 18,000 operations/hr) Electrical: 100,000 operations min. (at 1,800 operations/hr under rated load)	
Ambient temperature	Operating: -40°C to 70°C (with no icing)	
Ambient humidity	Operating: 5% to 85%	
Weight	Approx. 17 g	

Note: Values in the above table are the initial values.

### Double-winding Latching Relays

Item	1 pole	2 poles
Contact resistance	30 mΩ max.	50 mΩ max.
Set time	20 ms max.	
Reset time	20 ms max.	
Min. set/reset signal width	30 ms max.	
Max. operating frequency	Mechanical: 18,000 operations/hr Electrical: 1,800 operations/hr (under rated load)	
Insulation resistance	1,000 MΩ min. (at 500 VDC)	
Dielectric strength	5,000 VAC, 50/60 Hz for 1 min between coil and contacts 1,000 VAC, 50/60 Hz for 1 min between contacts of same pole; 1,000 VAC, 50/60 Hz for 1 min between set and reset coil	5,000 VAC, 50/60 Hz for 1 min between coil and contacts 3,000 VAC, 50/60 Hz for 1 min between contacts of different poles 1,000 VAC, 50/60 Hz for 1 min between contacts of same pole 1,000 VAC, 50/60 Hz for 1 min between set and reset coil
Vibration resistance	Destruction: 10 to 55 to 10 Hz, 0.75-mm single amplitude (1.5-mm double amplitude) Malfunction: 10 to 55 to 10 Hz, 0.75-mm single amplitude (1.5-mm double amplitude)	
Shock resistance	Destruction: 1,000 m/s <sup>2</sup> (approx. 100G) Malfunction: Set: 500 m/s <sup>2</sup> (approx. 50G); 200m/s <sup>2</sup> (approx. 20G) Reset: 100 m/s <sup>2</sup> (approx. 10G)	
Endurance	Mechanical: 10,000,000 operations min (at 18,000 operations/hr) Electrical: 100,000 operations min. (at 1,800 operations/hr under rated load)	
Ambient temperature	Operating: -40°C to 70°C (with no icing)	
Ambient humidity	Operating: 5% to 85%	
Weight	Approx. 17 g (Quick-connect type: approx. 20 g)	

Note: Values in the above table are the initial values.

## ■ Approved Standards

### UL 508 (File No. E41643)

Model	Contact form	Coil ratings	Contact ratings
G2R-1 G2R-14 G2R-1-H G2R-1-T	SPDT	3 to 110 VDC 3 to 240 VAC	10 A, 30 VDC (resistive) 10 A, 250 VAC (general use) TV-3 (NO contact only)
G2R-1A G2R-1A4 G2R-1A-H G2R-1A-T	SPST-NO		
G2R-1-E	SPDT		16 A, 30 VDC (resistive, NO contact only) 16 A, 250 VAC (general use, NO contact only) TV-3 (NO contact only); 1/3 hp, 120 VAC
G2R-1A-E	SPST-NO		
G2R-2 G2R-24 G2R-2-H	DPDT		5 A, 30 VDC (resistive) 5 A, 250 VAC (general use) TV-3 (NO contact only)
G2R-2A G2R-2A4 G2R-2A-H	DPST-NO		
G2R-1A-ASI	SPST-NO		10 A, 30 VDC (resistive) 10 A, 250 VAC (general use) TV-5/TV-8 (NO contact only)

### CSA 22.2 No.0, No.14 (File No. LR31928)

Model	Contact form	Coil ratings	Contact ratings
G2R-1 G2R-14 G2R-1-H G2R-1-T	SPDT	3 to 110 VDC 3 to 240 VAC	10 A, 30 VDC (resistive) 10 A, 250 VAC (general use) T-3 (NO contact only)
G2R-1A G2R-1A4 G2R-1A-H G2R-1A-T	SPST-NO		
G2R-1-E	SPDT		16 A, 30 VDC (resistive, N.O only) 16 A, 250 VAC (general use, NO contact only) TV-3 (NO contact only)
G2R-1A-E	SPST-NO		
G2R-2 G2R-24 G2R-2-H	DPDT		5 A, 30 VDC (resistive) 5 A, 250 VAC (general use) TV-3 (NO contact only)
G2R-2A G2R-2A4 G2R-2A-H	DPST-NO		
G2R-1A-ASI	SPST-NO		10 A, 30 VDC (resistive) 10 A, 250 VAC (general use) TV-8 (NO contact only); 1/4 hp, 125 VAC

### SEV

Contact form	Coil ratings	Contact ratings
1 pole	3 to 110 VDC 3 to 240 VAC	16 A, 250 VAC <sup>1</sup> (AgSnIn contact) 16 A, 30 VDC <sup>1</sup> (AgSnIn contact) 10 A, 250 VAC <sup>1</sup> 5 A, 250 VAC <sup>3</sup> 10 A, 30 VDC <sup>1</sup>
2 poles	3 to 110 VDC 3 to 240 VAC	5 A, 250 VAC <sup>1</sup> 2 A, 380 VAC <sup>1</sup> 5 A, 30 VDC <sup>1</sup>

### SEMKO

Contact form	Coil ratings	Contact ratings
1 pole	3 to 110 VDC 6 to 240 VAC	10/80 A, 250 VAC 3/100 A, 250 VAC 16/128 A, 250 VAC (AgSnIn contact)
2 poles		5/40 A, 250 VAC

## TÜV (EN61810-1)

Contact form	Coil ratings	Contact ratings
1 pole	3 to 110 VDC, 6 VAC to 240 VAC (for Standard coil) 3 to 48 VDC (for K, U coil) 3 to 70 VDC (for H coil)	10 A, 250 VAC ( $\cos\phi = 1.0$ ) 10 A, 30 VDC (0 ms) 16 A, 250 VAC ( $\cos\phi = 1.0$ ) (AgSnIn contact)
2 poles		8 A, 250 VAC ( $\cos\phi = 0.4$ ) 5 A, 250 VAC ( $\cos\phi = 1.0$ ) 5 A, 30 VDC (0 ms) 2.5 A, 250 VAC ( $\cos\phi = 0.4$ )

## VDE (EN61810-1), IMQ

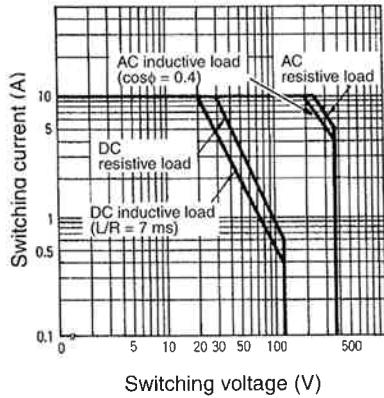
Contact form	Coil ratings	Contact ratings
1 pole	5, 6, 9, 12, 18, 24, 48, 60, 100, 110 VDC 12, 18, 24, 48, 50, 100/(110), 110, 120, 200/(220), 220, 230, 240 VAC	10 A, 250 VAC ( $\cos\phi = 1.0$ ) 10 A, 30 VDC (0 ms) 16 A, 250 VAC ( $\cos\phi = 1.0$ )
2 poles	5, 6, 9, 12, 18, 24, 48, 60, 100, 110 VDC 12, 18, 24, 48, 50, 100/(110), 110, 120, 200/(220), 220, 230, 240 VAC	5 A, 250 VAC ( $\cos\phi = 1.0$ ) 5 A, 30 VDC (0 ms)

# Engineering Data

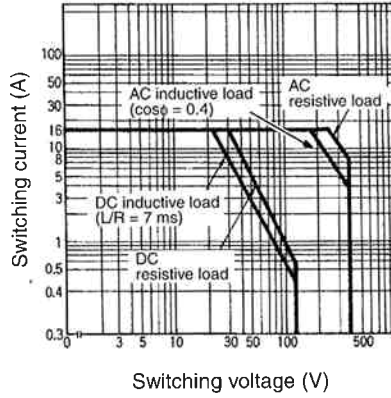
## Maximum Switching Power

### Flux Protection/Plug-in Relays

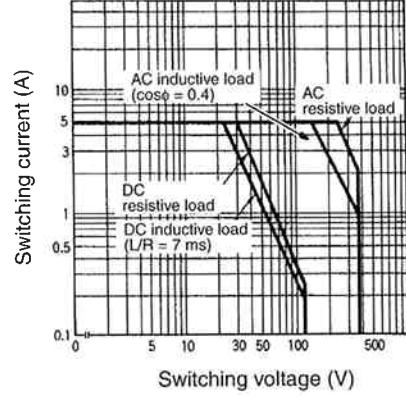
G2R-1, G2R-1A, G2R-1-T, G2R-1A-T



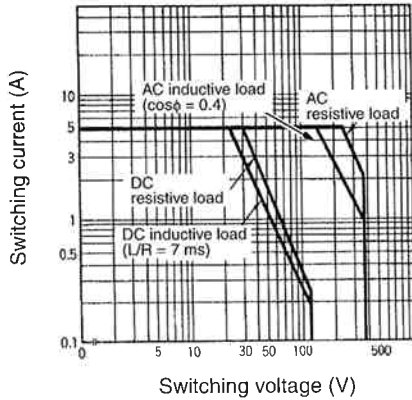
G2R-1-E, G2R-1A-E



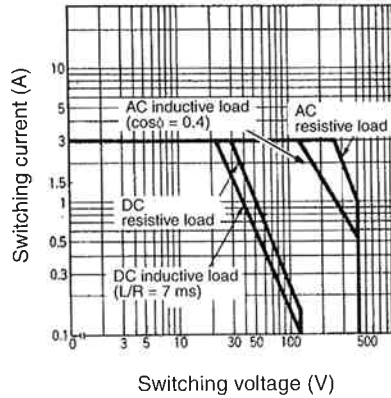
G2R-1Z, G2R-1AZ



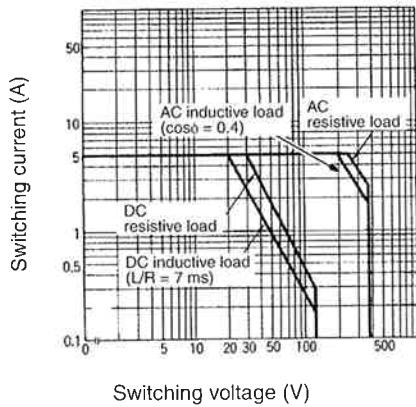
G2R-1-H, G2R-1A-H, G2R-2  
G2R-2A



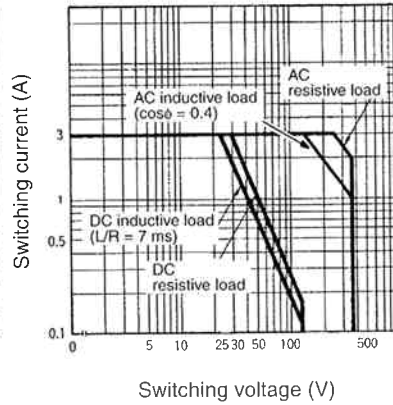
G2R-2-H, G2R-2A-H



G2RK-1A, G2RK-1

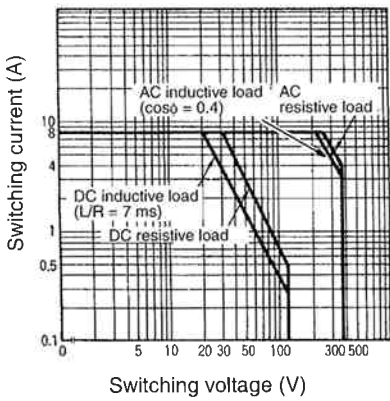


G2RK-2A, G2RK-2

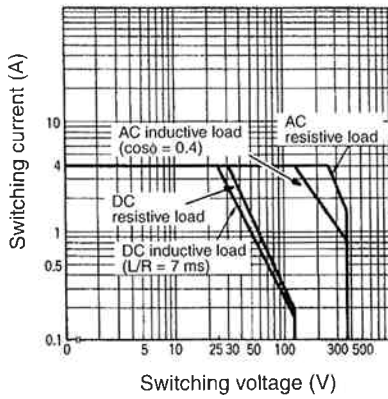




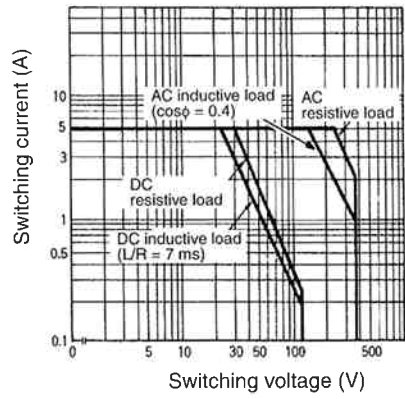
**Fully Sealed Relays**  
G2R-14, G2R-1A4



**G2R-24, G2R-2A4**

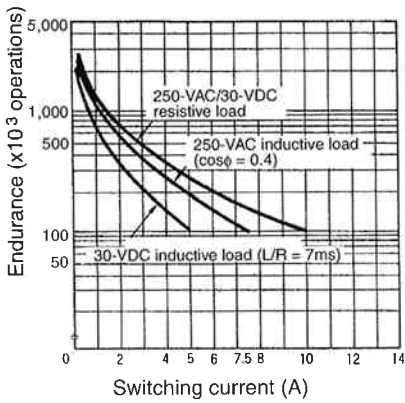


**G2R-1Z4, G2R-1AZ4**

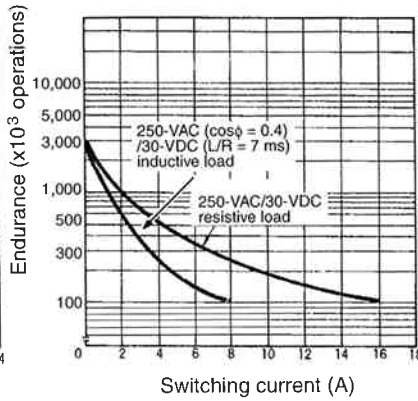


**Endurance**

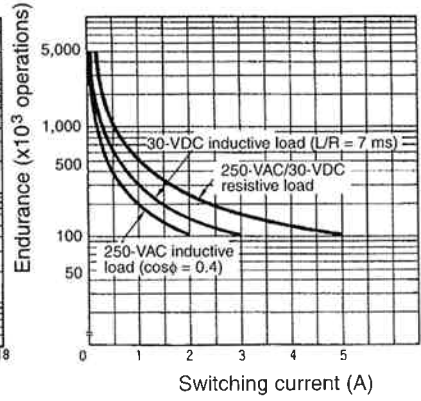
**Flux Protection/Plug-in Relays**  
G2R-1, G2R-1A, G2R-1-T, G2R-1A-T



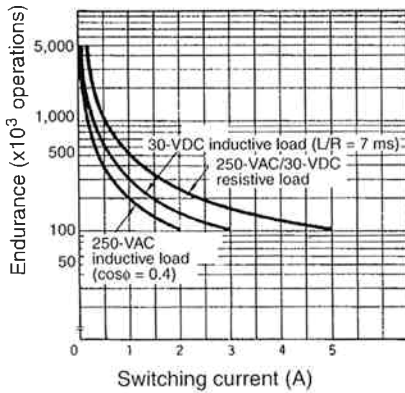
**G2R-1-E, G2R-1A-E**



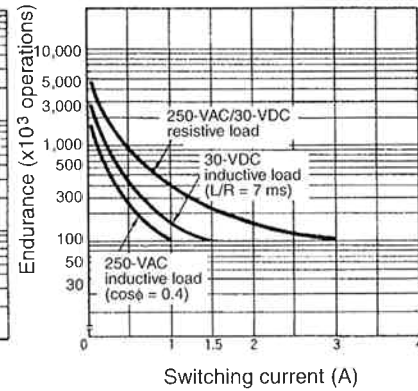
**G2R-1Z, G2R-1AZ**



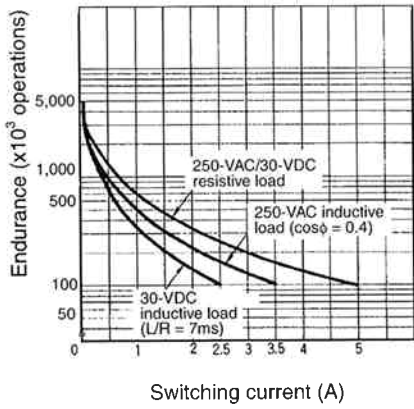
**G2R-1-H, G2R-1A-H, G2R-2**  
G2R-2A



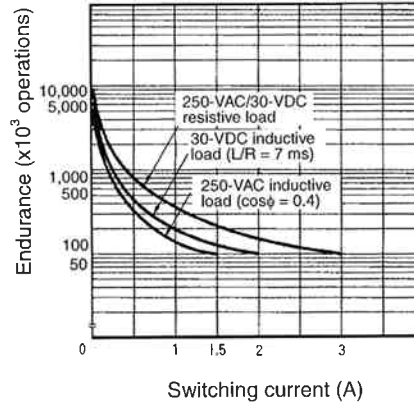
**G2R-2-H, G2R-2A-H**



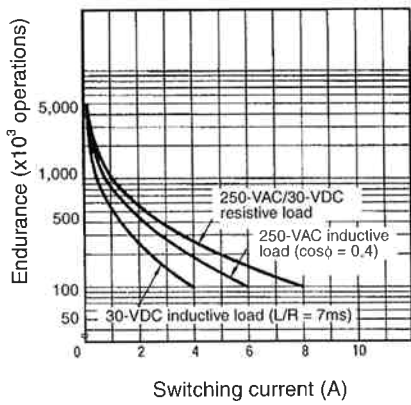
G2RK-1A, G2RK-1



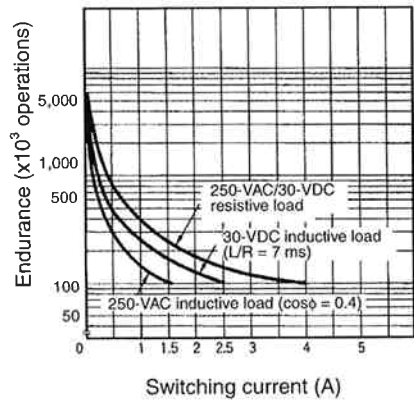
G2RK-2A, G2RK-2



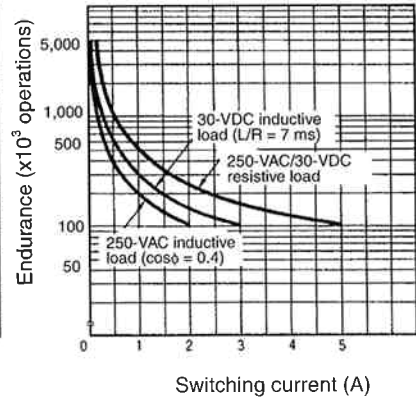
Fully sealed Relays  
G2R-14, G2R-1A4



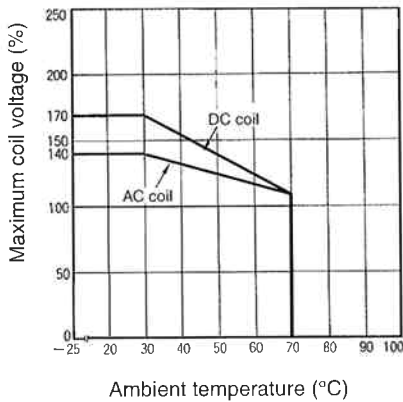
G2R-24, G2R-2A4



G2R-1Z4, G2R-1AZ4



Ambient Temperature vs Maximum Coil Voltage



Note: The maximum coil voltage refers to the maximum value in a varying range of operating power voltage, not a continuous voltage.

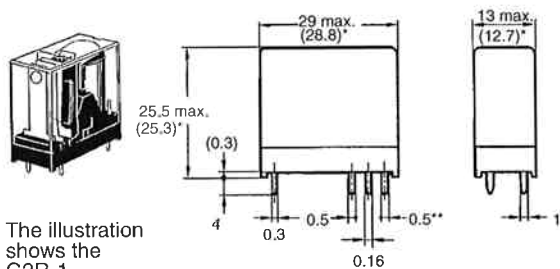
# Dimensions

Note: 1. All units are in millimeters unless otherwise indicated.

2. Orientation marks are indicated as follows:  

## Relays with PCB Terminals

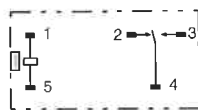
### SPDT Relays G2R-1, G2R-1Z, G2R-1-H



The illustration shows the G2R-1.

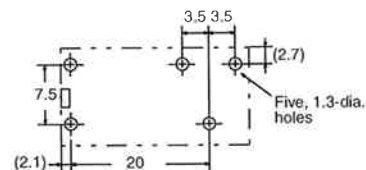
\*Average value  
\*\*0.3 (-H Type)

### Terminal Arrangement/ Internal Connections (Bottom View)



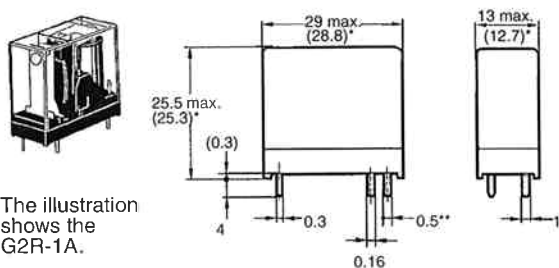
### Mounting Holes (Bottom View)

Tolerance:  $\pm 0.1$



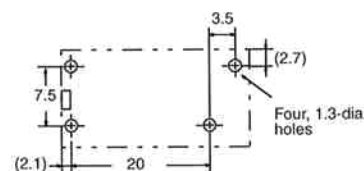
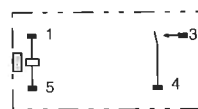
(No coil polarity)

### SPST-NO Relays G2R-1A, G2R-1AZ, G2R-1A-H



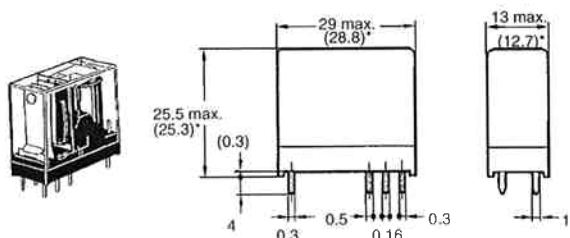
The illustration shows the G2R-1A.

\*Average value  
\*\*0.3 (-H Type)

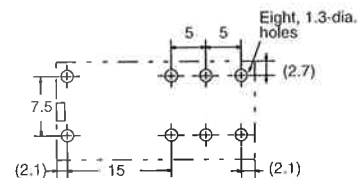
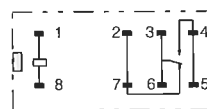


(No coil polarity)

### SPDT/High-capacity Relays G2R-1-E

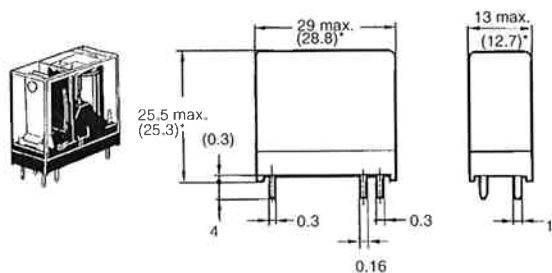


\*Average value

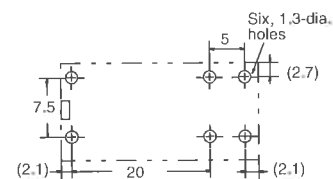
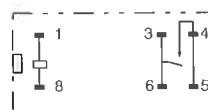


(No coil polarity)

### SPST-NO/High-capacity Relays G2R-1A-E



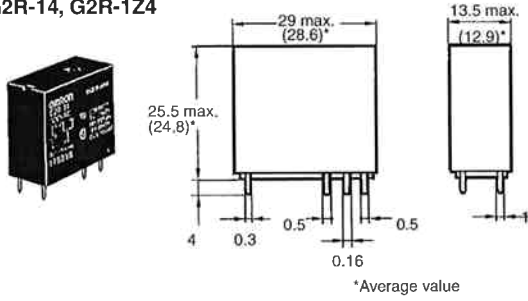
\*Average value



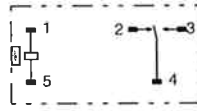
(No coil polarity)

**Relays with PCB Terminals**

**SPDT Relays  
G2R-14, G2R-1Z4**

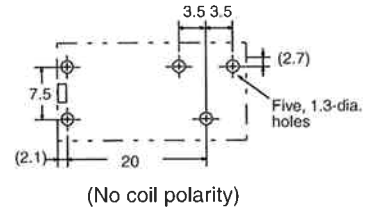


**Terminal Arrangement/  
Internal Connections  
(Bottom View)**

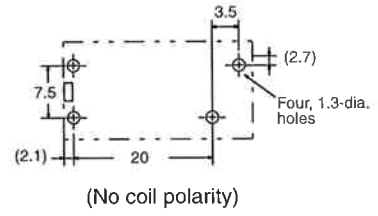
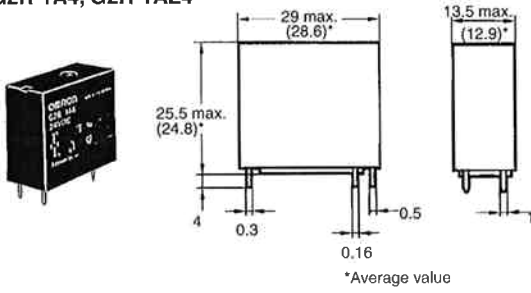


**Mounting Holes  
(Bottom View)**

Tolerance:  $\pm 0.1$

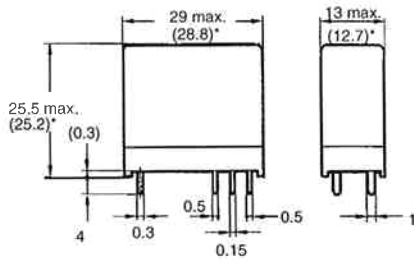
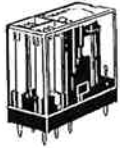


**SPST-NO Relays  
G2R-1A4, G2R-1AZ4**



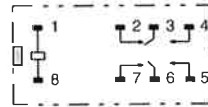
**Relays with PCB Terminals**

**DPDT Relays  
G2R-2, G2R-2-H**



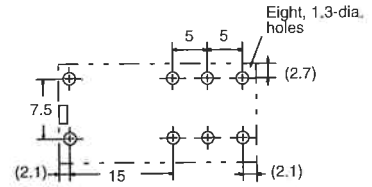
\*Average value

**Terminal Arrangement/  
Internal Connections  
(Bottom View)**



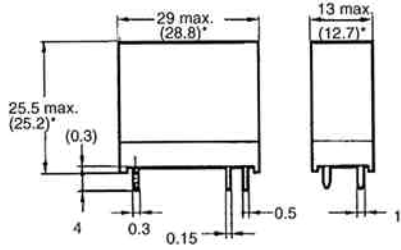
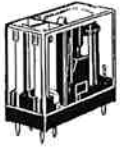
**Mounting Holes  
(Bottom View)**

Tolerance:  $\pm 0.1$

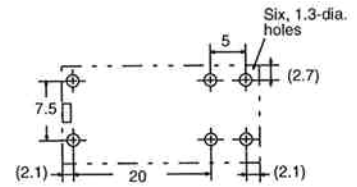
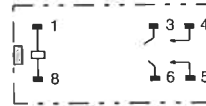


(No coil polarity)

**DPST-NO Relays  
G2R-2A, G2R-2A-H**

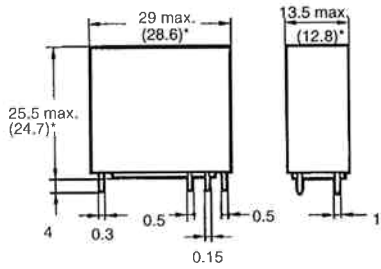


\*Average value

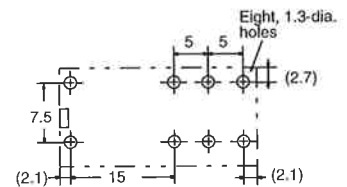
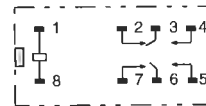


(No coil polarity)

**DPDT Relays  
G2R-24**

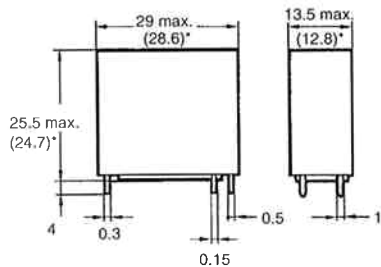


\*Average value

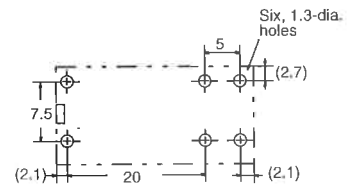


(No coil polarity)

**DPST-NO Relays  
G2R-2A4**



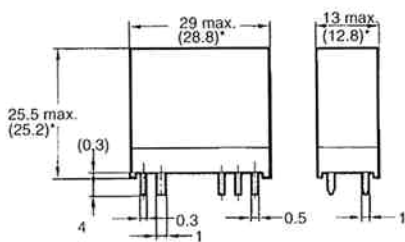
\*Average value



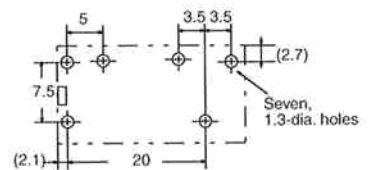
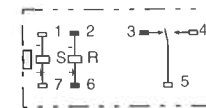
(No coil polarity)

**Double-winding Latching Relays with PCB Terminals**

**SPDT Relays  
G2RK-1**



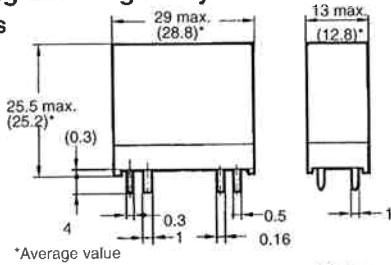
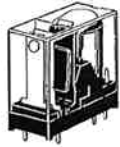
\*Average value



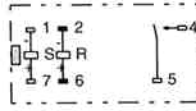
(After confirming coil polarity, wire correctly.)

**Double-winding Latching Relays with PCB Terminals**

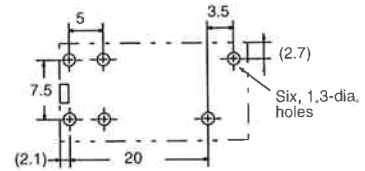
**SPST-NO Relays  
G2RK-1A**



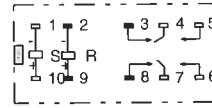
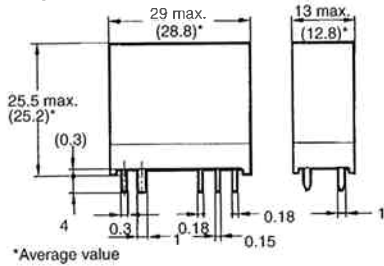
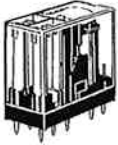
**Terminal Arrangement/  
Internal Connections  
(Bottom View)**



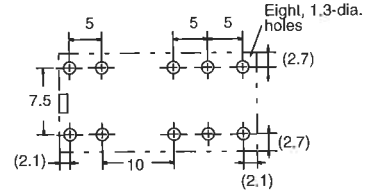
**Mounting Holes  
(Bottom View)**  
Tolerance:  $\pm 0.1$



**DPDT Relays  
G2RK-2**

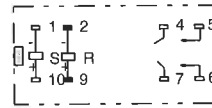
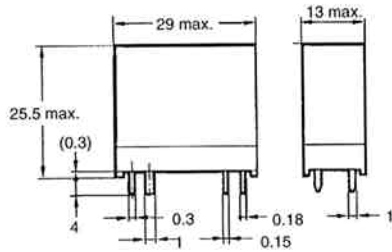
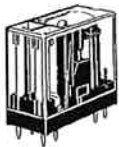


**(After confirming coil  
polarity, wire correctly.)**

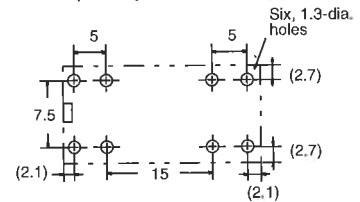


**(After confirming coil  
polarity, wire correctly.)**

**DPST-NO Relays  
G2RK-2A**



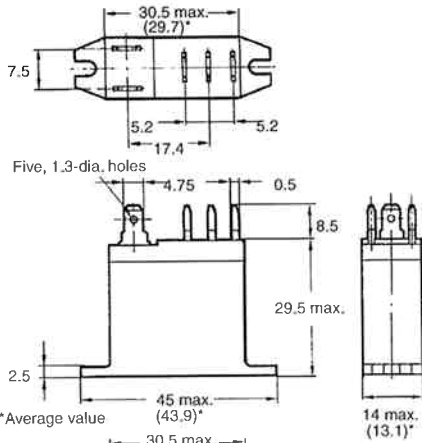
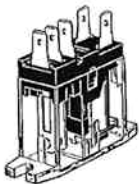
**(After confirming coil  
polarity, wire correctly.)**



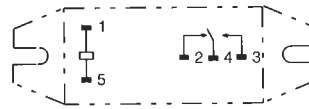
**(After confirming coil  
polarity, wire correctly.)**

**Relays with Quick-connect Terminals**

**SPDT Relays  
G2R-1-T**

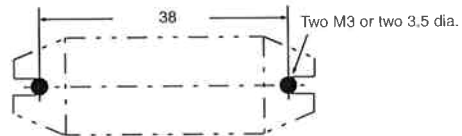


**Terminal Arrangement/Internal Connections  
(Bottom View)**

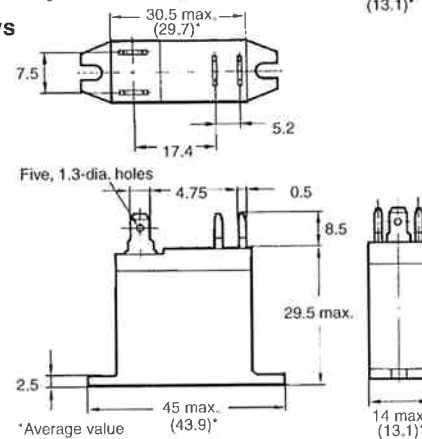
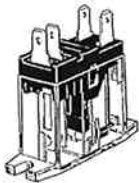


(No coil polarity)

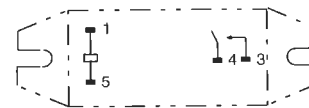
**Mounting Holes (Bottom View)**  
Tolerance:  $\pm 0.1$



**SPST-NO Relays  
G2R-1A-T**

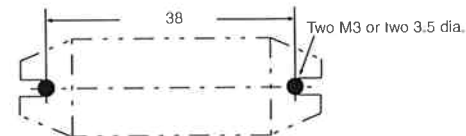


**Terminal Arrangement/Internal Connections  
(Bottom View)**



(No coil polarity)

**Mounting Holes (Bottom View)**

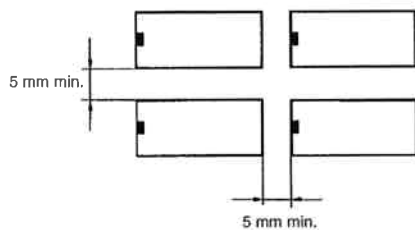


**Note:** Model number of quick-connect terminal is 187.

## Precautions

### ■ Mounting

When mounting a number of relays on a PCB, be sure to provide a minimum mounting space of 5 mm between the two juxtaposed relays as shown below.



The above minimum mounting space is necessary due to mutual thermal interference generated by the relays. This restriction may be ignored, however, depending on the operating conditions of the relays. Consult OMRON for details.

There is no restriction on the mounting direction of each relay on the PCB.

When using this circuit, confirm the set and reset states and then take into account the circuit constant.

**ALL DIMENSIONS SHOWN ARE IN MILLIMETERS.**

To convert millimeters into inches, multiply by 0.03937. To convert grams into ounces, multiply by 0.03527.