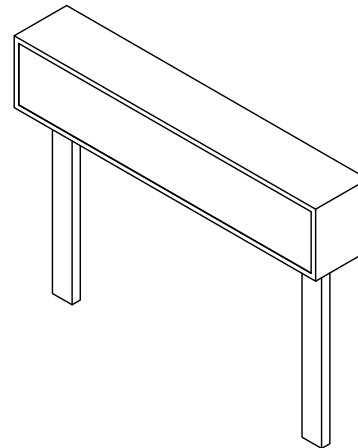
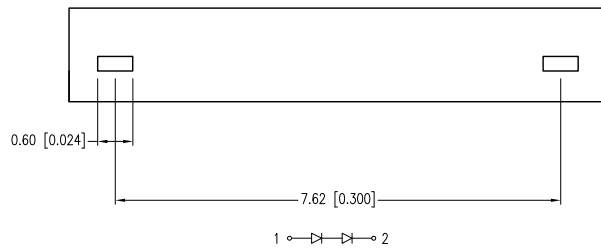


| ELECTRO-OPTICAL CHARACTERISTICS $T_A=25^{\circ}\text{C}$ $I_f=20\text{mA}$ |             |     |     |          |                      |
|--|-------------|-----|-----|----------|----------------------|
| PARAMETER  | MIN         | TYP | MAX | UNITS    | TEST COND            |
| PEAK WAVELENGTH  |             | 585 |     | nm       |                      |
| FORWARD VOLTAGE  |             | 4.0 | 4.5 | $V_f$    |                      |
| REVERSE VOLTAGE  | 10          |     |     | $V_r$    | $I_f=100\mu\text{A}$ |
| AXIAL INTENSITY  |             | 18  |     | mcd      | $I_f=20\text{mA}$    |
| VIEWING ANGLE  |             | 120 |     | 2x theta |                      |
| EMITTED COLOR:   | YELLOW      |     |     |          |                      |
| EPOXY LENS FINISH:   | WATER CLEAR |     |     |          |                      |

| LIMITS OF SAFE OPERATION AT 25°C PER CHIP |            |            |
|---|------------|------------|
| PARAMETER                                 | MAX        | UNITS      |
| PEAK FORWARD CURRENT*                     | 125        | mA         |
| STEADY CURRENT                            | 30         | mA         |
| POWER DISSIPATION                         | 135        | mW         |
| DERATE FROM 25°C                          | -1.2       | mW/°C      |
| OPERATING TEMP.                           | -40 TO +80 | °C         |
| STORAGE TEMP.                             | -40 TO +85 | °C         |
| SOLDERING TEMP.                           | +260       | °C         |
| 2.0mm FROM BODY                           |            | 5 SEC. MAX |

\*  $t < 10\mu\text{s}$



\*UNLESS OTHERWISE SPECIFIED TOLERANCES PER DECIMAL PRECISION ARE: X=±1 (±0.039), X.X=±0.5 (±0.020), X.XX=±0.25 (±0.010), X.XXX=±0.127 (±0.005). LEAD SIZE=±0.05 (±0.002), LEAD LENGTH=±0.75 (±0.030). MIN.=  $\frac{+0.00}{-0.00}$  DECIMAL PRECISION MAX.=  $\frac{+0.00}{-0.00}$  DECIMAL PRECISION



425 N. GARY AVE.  
CAROL STREAM, IL 60188-4900  
PHONE: +1.800.278.5666  
FAX: +1.630.315.2152  
WEB: WWW.LUMEX.COM  
MEMBER OF ITW PHOTONICS GROUP

9.20 x 1.90mm, SIDE FIRING LED, 585nm YELLOW, WATER CLEAR LENS.

\*\*THE SPECIFICATIONS MAY CHANGE AT ANY TIME WITHOUT NOTICE DUE TO NEW MATERIALS OR PRODUCT IMPROVEMENT.\*\*

CONFIDENTIAL INFORMATION  
THE INFORMATION CONTAINED IN THIS DOCUMENT IS THE PROPERTY OF LUMEX INC. EXCEPT AS SPECIFICALLY AUTHORIZED IN WRITING BY LUMEX INC., THE HOLDER OF THIS DOCUMENT SHALL KEEP ALL INFORMATION CONTAINED HEREIN CONFIDENTIAL AND SHALL PROTECT SAME IN WHOLE OR IN PART FROM DISCLOSURE AND DISSEMINATION TO ALL THIRD PARTIES.

|        |           |           |      |
|--------|-----------|-----------|------|
| DATE:  | 01.28.13  | DRAWN BY: | MA   |
| PAGE:  | 1 OF 1    | CHKD BY:  | KF   |
| SCALE: | NTS       | APRVD BY: | KF   |
| UNIT:  | mm [INCH] |           | (P6) |