

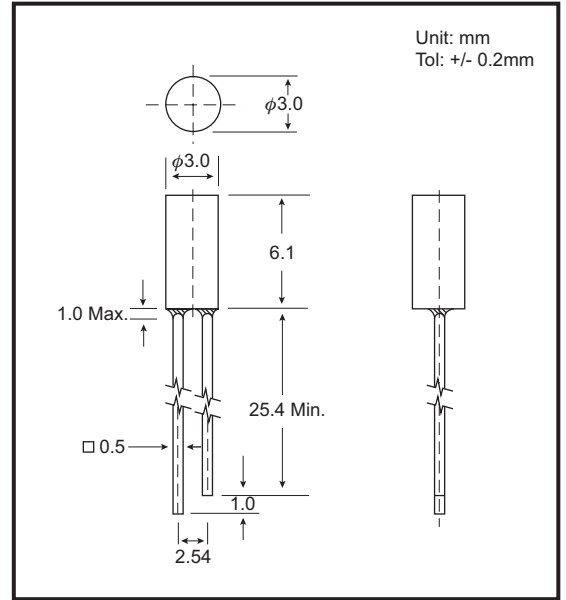
DESCRIPTION:

The 403 series is cylindrical type in 3mm diameter and without flange.
 The semi-conductor materials used are:
 GaP for (403HD, 403GD/GT)
 GaAsP/GaP for (403RHD/RHT, 403YD/YT and 403SD)

ABSOLUTE MAXIMUM RATINGS: (Ta=25°C)

Reverse Voltage	5 Volt
Reverse Current (Vr =5V)	100μA
Operating Temperature Range	-40°C To 85°C
Storage Temperature Range	-40°C To 100°C
Lead Soldering Temperature (1.6mm (1/16)From Body)	260°C For 5 Seconds

- NOTES : 1. All dimensions are in millimeters.
 2. Lead spacing is measured where the leads emerge from the package.
 3. Protuded resin under flange is 1.5 mm (0.059") Max.
 4. Specifications are subject to change without notice.

PACKAGE DIMENSIONS

PART NO. SELECTION AND APPLICATION INFORMATION (RATINGS AT 25°C AMBIENT)

Part No.	Emitted Color	Lens Color	Peak Wavelength λp (nm)	Vf (v)		Rec. If (mA)	Iv (mcd)		View Angle 2θ1/2(Deg)
				Min	Max		Min	Typ.	
GB-403HD	Red	Red Diffused	697	1.7	2.6	5-10	0.3	0.5	120
GB-403RHD	Bright Red	Red Diffused	660	1.7	2.6	10-20	0.4	1.2	120
GB-403GD	Green	Green Diffused	565	1.7	2.6	10-20	0.4	1.2	120
GB-403YD	Yellow	Yellow Diffused	585	1.7	2.6	10-20	0.4	1.2	120
GB-403SD	Orange	Orange Diffused	610	1.7	2.6	10-20	0.4	1.2	120
GB-403RHT	Bright Red	Red Trans.	660	1.7	2.6	10-20	0.6	2.0	100
GB-403GT	Green	Green Trans.	565	1.7	2.6	10-20	0.6	2.0	100
GB-403YT	Yellow	Yellow Trans.	585	1.7	2.6	10-20	0.6	2.0	100
GB-403ST	Orange	Orange Trans.	610	1.7	2.6	10-20	0.6	2.0	100

TESTING CONDITION FOR EACH PARAMETER :

PARAMETER:	SYMBOL	UNIT	TEST CONDITION
REVERSE VOLTAGE	Vr	VOLT	Vr = 5.0 Volt
REVERSE CURRENT	Ir	μA	If = 20mA
FORWARD VOLTAGE	Vf	VOLT	If = 20mA
LUMINOUS INTENSITY	Iv	MCD	If = 20mA
VIEWING ANGLE	2θ1/2	DEGREE	
RECOMMENDED OPERATING CURRENT	If (Rec)	mA	

