

PLEASE CHECK WWW.MOLEX.COM FOR LATEST PART INFORMATION

Part Number: [0354076702](#)
Status: **Active**
Description: 2.28mm (.090") Sealed Terminal, Female, 0.30-0.50mm² (.012-.020") AVSS, 0.25mm (.010") Material Thickness, Pre-Tin Plated

Documents:

[Drawing \(PDF\)](#) [RoHS Certificate of Compliance \(PDF\)](#)
[Product Specification PS-35408-001 \(PDF\)](#)

General

Product Family	Crimp Terminals
Series	35407
Crimp Quality Equipment	Yes
Product Name	N/A

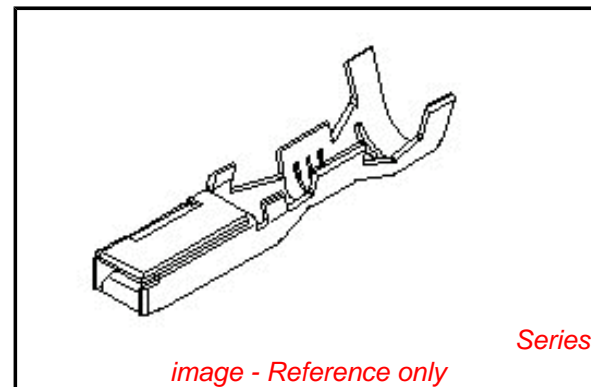
Physical

Gender	Female
Material - Metal	High Performance Alloy (HPA)
Material - Plating Mating	Tin
Material - Plating Termination	Tin
Packaging Type	Reel
Plating min: Mating (µin)	32.00
Plating min: Mating (µm)	0.800
Plating min: Termination (µin)	32.00
Plating min: Termination (µm)	0.80
Termination Interface: Style	Crimp or Compression
Wire Insulation Diameter	1.90mm (.075") max.
Wire Size AWG	20, 22
Wire Size mm ²	N/A

Material Info

Reference - Drawing Numbers

Product Specification	PS-35408-001
Sales Drawing	SD-35407-001



EU RoHS

**ELV and RoHS
Compliant**
**REACH SVHC
Contains SVHC: No**
**Halogen-Free
Status**

China RoHS



**Need more information on product
environmental compliance?**

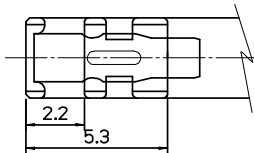
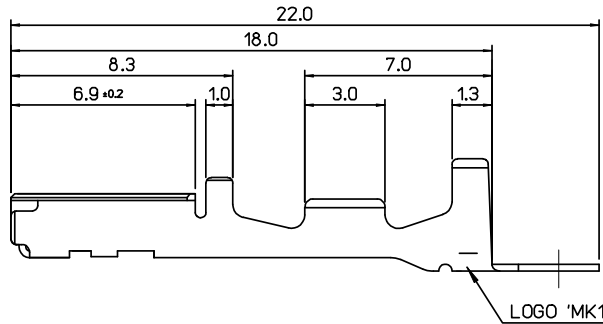
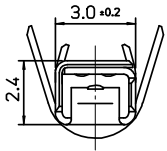
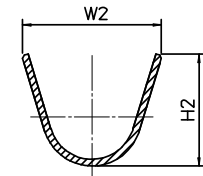
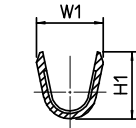
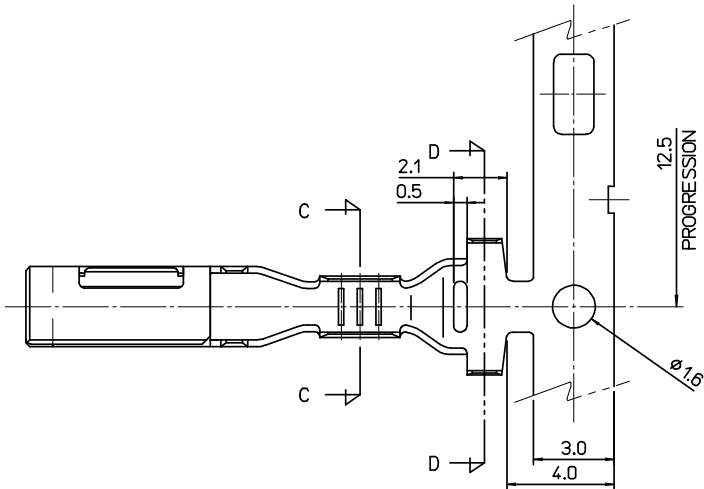
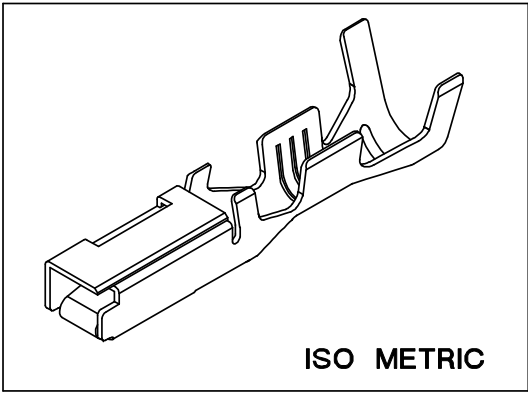
Email productcompliance@molex.com
 For a multiple part number RoHS Certificate of Compliance, [click here](#)

Please visit the [Contact Us](#) section for any non-product compliance questions.

Search Parts in this Series
[35407Series](#)

Mates With
[35420](#)

Use With
[35825](#)



NOTES

1. MATERIAL: COPPER ALLOY, $t=0.25\text{mm}$
2. FINISH: PRE-TIN PLATED
3. RECOMMENDED LENGTH OF WIRE STRIP: 5.0-5.6

NO.	ENG. NO.	TYPE	DESCRIPTION	CABLE SIZE(mm ²) AVS. AVSS	DIMENSION			
					W1	H1	W2	H2
1	35407-6702	S	.090 SEALED FEMALE TER'L	0.3 - 0.5	2.5	2.2	5.1	4.2
2	35407-6802	M	.090 SEALED FEMALE TER'L	0.85-1.25	2.6	3.0	5.2	4.7
3	35407-6902	L	.090 SEALED FEMALE TER'L	2.0	4.0	3.5	5.2	4.7

CHANGED OF ISOMETRIC
 EC NO: KOR2008-0108
 DRWNEOKIM 2007/12/28
 CHKD:BCYOON 2008/01/02
 APPR: YUNSIKKIM 2008/01/02

QUALITY SYMBOLS

GENERAL TOLERANCES (UNLESS SPECIFIED)

	mm	INCH
4 PLACES	± ---	± ---
3 PLACES	± ---	± ---
2 PLACES	± ---	± ---
1 PLACE	± 0.25	± ---

ANGULAR ± 1 °

DRAFT WHERE APPLICABLE
 MUST REMAIN
 WITHIN DIMENSIONS

DIMENSION STYLE
MM ONLY

DRAWN BY: BCYOON
 DATE: 1998/04/10

CHECKED BY: BKCHOI
 DATE: 1998/04/10

APPROVED BY: CWLEE
 DATE: 1998/04/10

MATERIAL NO.

SEE TABLE

SIZE: **A3**

SCALE: 5:1

DESIGN UNITS: METRIC

THIRD ANGLE PROJECTION

TITLE: .090 SEALED FEMALE TER'L

MOLEX INCORPORATED

DOCUMENT NO.: SD-35407-001

SHEET NO.: 1 OF 1