

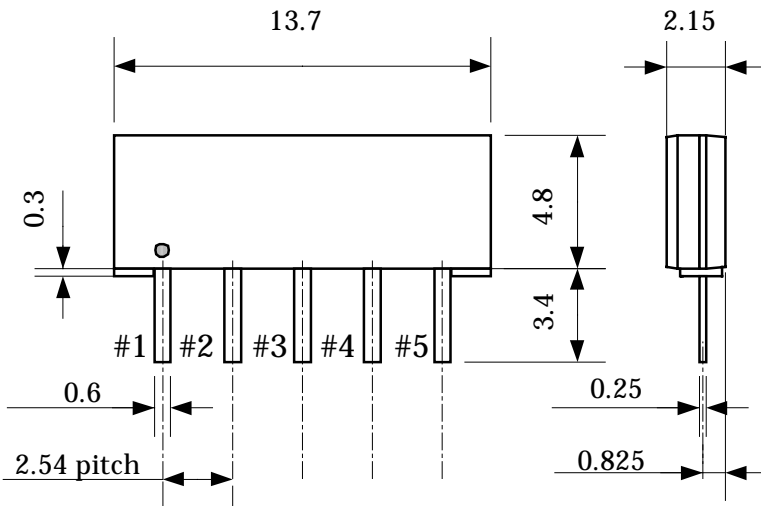
Customer Name	Standard specification	FUJITSU MEDIA DEVICES LIMITED	
Application	IF Filter for Terrestrial-TV		
System	America		
Picture Carrier Frequency	44.00 MHz	DATE	Feb. 15 2005
FMD Part Number	FAR-F4SE-44M000-H0A8	Version	1.0

Table 1 Proposal Specification (Ta=25°C(45°C))

Items	Conditions	Specification			Unit	Remarks
		Min.	Typ.	Max.		
Insertion Loss	44.06 (44.00) MHz	11.5	13.0	14.5	dB	
Pass band width	1.5dB	–	5.21	–	MHz	
	3.0dB	–	5.42	–	MHz	
	30dB	–	6.46	–	MHz	
Relative level	35.06 ~ 39.81 MHz (35.00 ~ 39.75 MHz)	–	- 46	-40	dB	
	39.81 (39.75) MHz	–	- 57	-45	dB	
	40.81 (40.75) MHz	–	- 29	-23	dB	
	41.37 (41.31) MHz	-3.8	- 2.8	-1.8	dB	
	41.49 (41.43) MHz	-2.2	- 1.2	-0.2	dB	
	41.66 (41.60) MHz	-0.6	- 0.1	0.4	dB	
	44.06 (44.00) MHz	–	0	–	dB	Reference
	46.46 (46.40) MHz	-0.4	0.1	0.6	dB	
	46.63 (46.57) MHz	-2.0	- 1.0	0	dB	
	46.75 (46.69) MHz	-3.6	- 2.6	-1.6	dB	
	47.31 (47.25) MHz	–	- 46	-30	dB	
	48.23 (48.17) MHz	–	- 45	-35	dB	
Amplitude ripple (p-p)	48.23 ~ 55.06 MHz (48.17 ~ 55.00 MHz)	–	- 39	-34	dB	
	41.66 ~ 46.46 MHz (41.60 ~ 46.40 MHz)	–	0.7	–	dB	
Group delay ripple (p-p)	41.37 ~ 46.75 MHz (41.31 ~ 46.69 MHz)	–	32	–	ns	
Input Impedance	44.06 MHz	–	1.1//14.3	–	kΩ//pF	
Output Impedance	44.06 MHz	–	1.7//4.4	–	kΩ//pF	
Temperature coefficient		–	-72	–	ppm/°C	

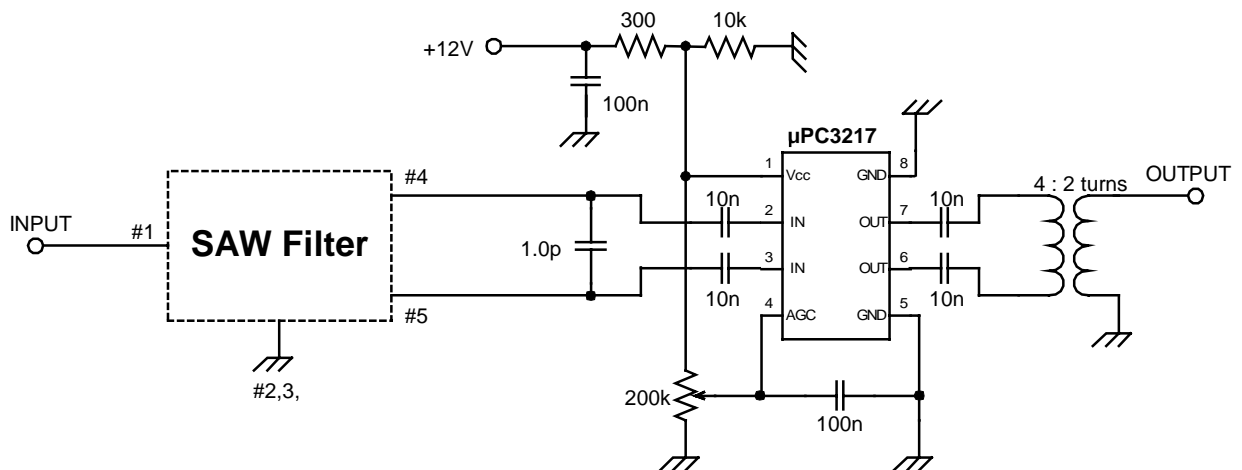
Customer Name	Standard specification	FUJITSU MEDIA DEVICES LIMITED	
Application	IF Filter for Terrestrial-TV		
System	America		
Picture Carrier Frequency	44.00 MHz	DATE	Feb. 15 2005
FMD Part Number	FAR-F4SE-44M000-H0A8	Version	1.0

1. Pin assignment of plastics Package



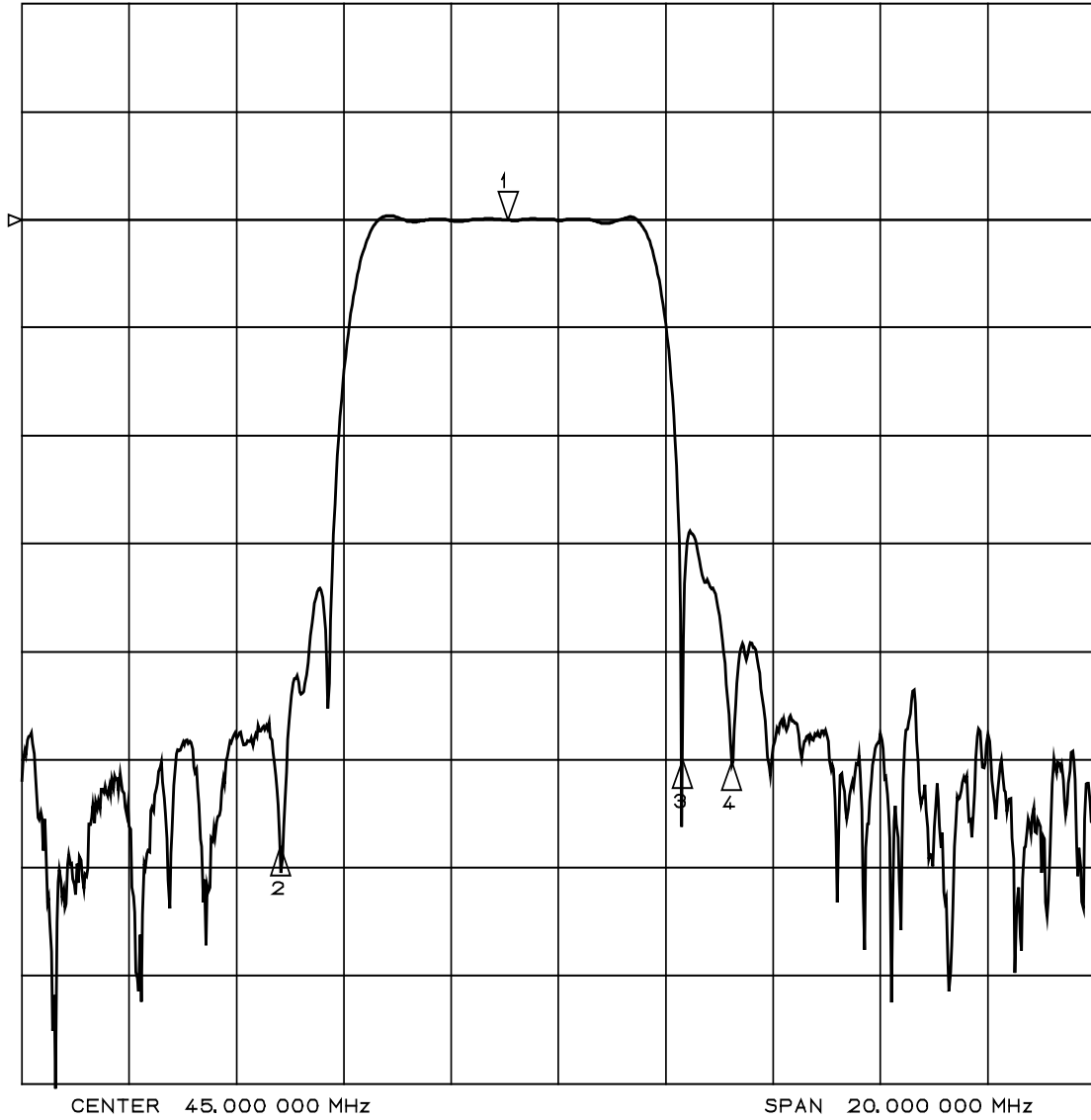
Pin No.	Pin name	Description
1	IN	input pin
2	IN	input pin (Ground)
3	GND	Ground pin
4	OUT	output pin
5	OUT	output pin

2. Measurement circuit



Customer Name	Standard specification	FUJITSU MEDIA DEVICES LIMITED	
Application	IF Filter for Terrestrial-TV		
System	America		
Picture Carrier Frequency	44.00 MHz	DATE	Feb. 15 2005
FMD Part Number	FAR-F4SE-44M000-H0A8	Version	1.0

Amplitude Response (10dB/div)



Marker1 : 44.06 MHz
 Marker2 : 39.81 MHz
 Marker3 : 47.31 MHz
 Marker4 : 48.23 MHz

Customer Name	Standard specification	FUJITSU MEDIA DEVICES LIMITED	
Application	IF Filter for Terrestrial-TV		
System	America		
Picture Carrier Frequency	44.00 MHz	DATE	Feb. 15 2005
FMD Part Number	FAR-F4SE-44M000-H0A8	Version	1.0

Amplitude Response (1dB/div)

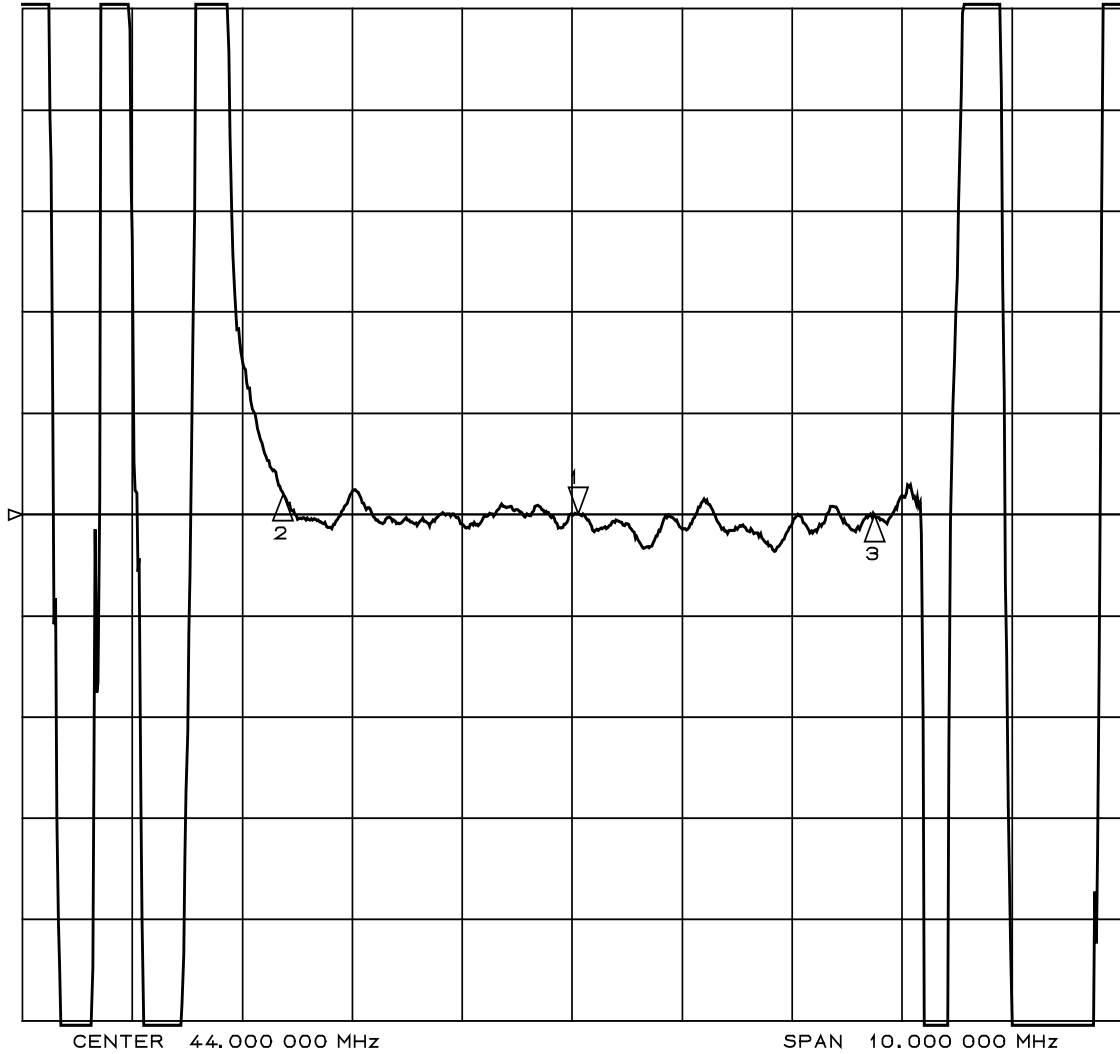


- Marker1 : 44.06 MHz
- Marker2 : 41.37 MHz
- Marker3 : 41.49 MHz
- Marker4 : 46.63 MHz
- Marker5 : 46.75 MHz

Customer Name	Standard specification	FUJITSU MEDIA DEVICES LIMITED	
Application	IF Filter for Terrestrial-TV		
System	America		
Picture Carrier Frequency	44.00 MHz	DATE	Feb. 15 2005
FMD Part Number	FAR-F4SE-44M000-H0A8	Version	1.0

Group Delay (50ns/div)

Delay Aper.=200kHz



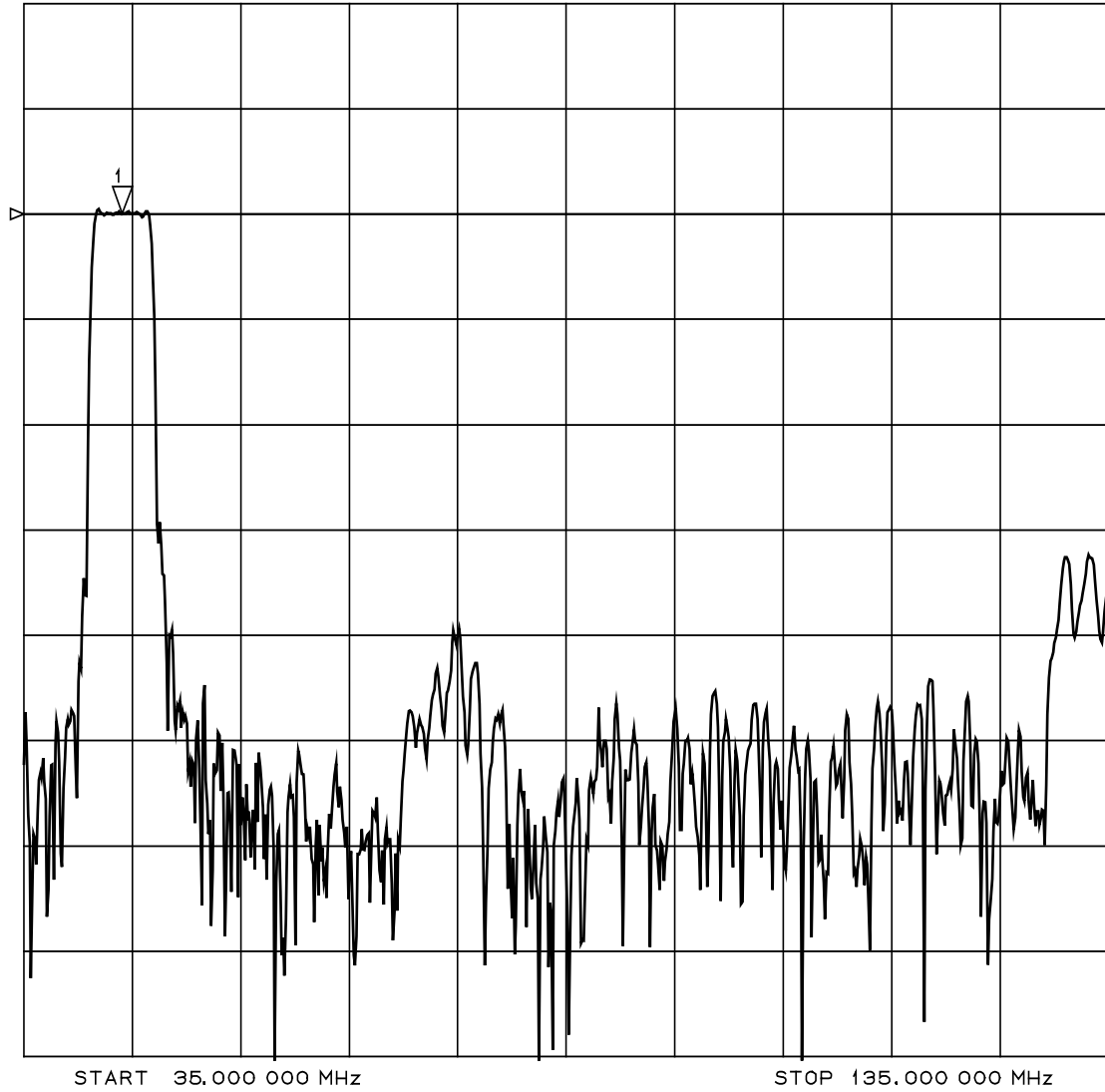
Marker1 : 44.06 MHz

Marker2 : 41.37 MHz

Marker3 : 46.75 MHz

Customer Name	Standard specification	FUJITSU MEDIA DEVICES LIMITED	
Application	IF Filter for Terrestrial-TV		
System	America		
Picture Carrier Frequency	44.00 MHz	DATE	Feb. 15 2005
FMD Part Number	FAR-F4SE-44M000-H0A8	Version	1.0

Amplitude Response (10dB/div)
(35.0MHz ----- 135.0MHz)



Marker1 : 44.06 MHz

Customer Name	Standard specification	FUJITSU MEDIA DEVICES LIMITED	
Application	IF Filter for Terrestrial-TV		
System	America		
Picture Carrier Frequency	44.00 MHz	DATE	Feb. 15 2005
FMD Part Number	FAR-F4SE-44M000-H0A8	Version	1.0

Time domain Response (10dB/div)

