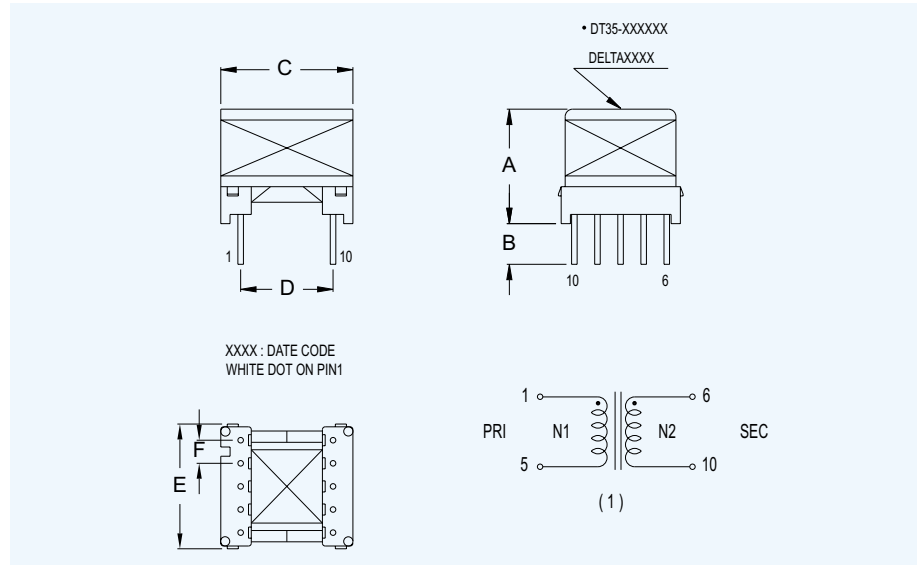




Telecommunication COMMON MODE CHOKE Transformers

DT35-2010T
DT35-2011T
DT35-2012T



DIMENSIONS IN mm

| A | B | C | D | E | F | G |
|-----------|-----------|-----------|------------|-----------|-----------|---|
| 13.0 MAX. | 2.79 MIN. | 14.5 MAX. | 10.2 ± 0.5 | 13.5 MAX. | 2.5 ± 0.3 | |

| ELECTRICAL CHARACTERISTICS | | | |
|----------------------------|---|---|---|
| | DT35-2010T | DT35-2011T | DT35-2012T |
| T.R | (N1:N2): 1:1 ± 2% @10KHz 0.1V | (N1:N2): 1:1 ± 2% @10KHz 0.1V | (N1:N2): 1:1 ± 2% @10KHz 0.1V |
| L | N1: 1.7mH ± 5%, 0.1A N1: 1.7mH ± 5%, 0.2A N1: 1.7mH ± 5%, 0.3A @10KHz 0.1V | N1: 2.7mH ± 5%, 0.1A N1: 2.7mH ± 5%, 0.2A N1: 2.7mH ± 5%, 0.3A @10KHz 0.1V | N1: 1.4mH ± 5%, 0.1A N1: 1.4mH ± 5%, 0.2A N1: 1.4mH ± 5%, 0.3A @10KHz 0.1V |
| I.R | 500 VDC 100MΩ Min. | 500 VDC 100MΩ Min. | 500 VDC 100MΩ Min. |
| C | ----- | ----- | ----- |
| D.C.R | N1: 3.5Ω Max. N2: 3.5Ω Max. | N1: 4.8Ω Max. N2: 4.8Ω Max. | N1: 3.3Ω Max. N2: 3.3Ω Max. |
| HI-POT | 1500 VAC 60 SEC | 1500 VAC 60 SEC | 1500 VAC 60 SEC |
| SCHEMATIC | 1 | 1 | 1 |

DELTA ELECTRONICS, INC.

(TAOYUAN PLANT CPBG) 31-1, SHIEN PAN ROAD, KUEI SAN INDUSTRIAL ZONE, TAOYUAN SHIEN, TAIWAN, R.O.C.

TEL: 886-3-3626301 FAX: 886-3-3618901

http://www.deltaww.com