

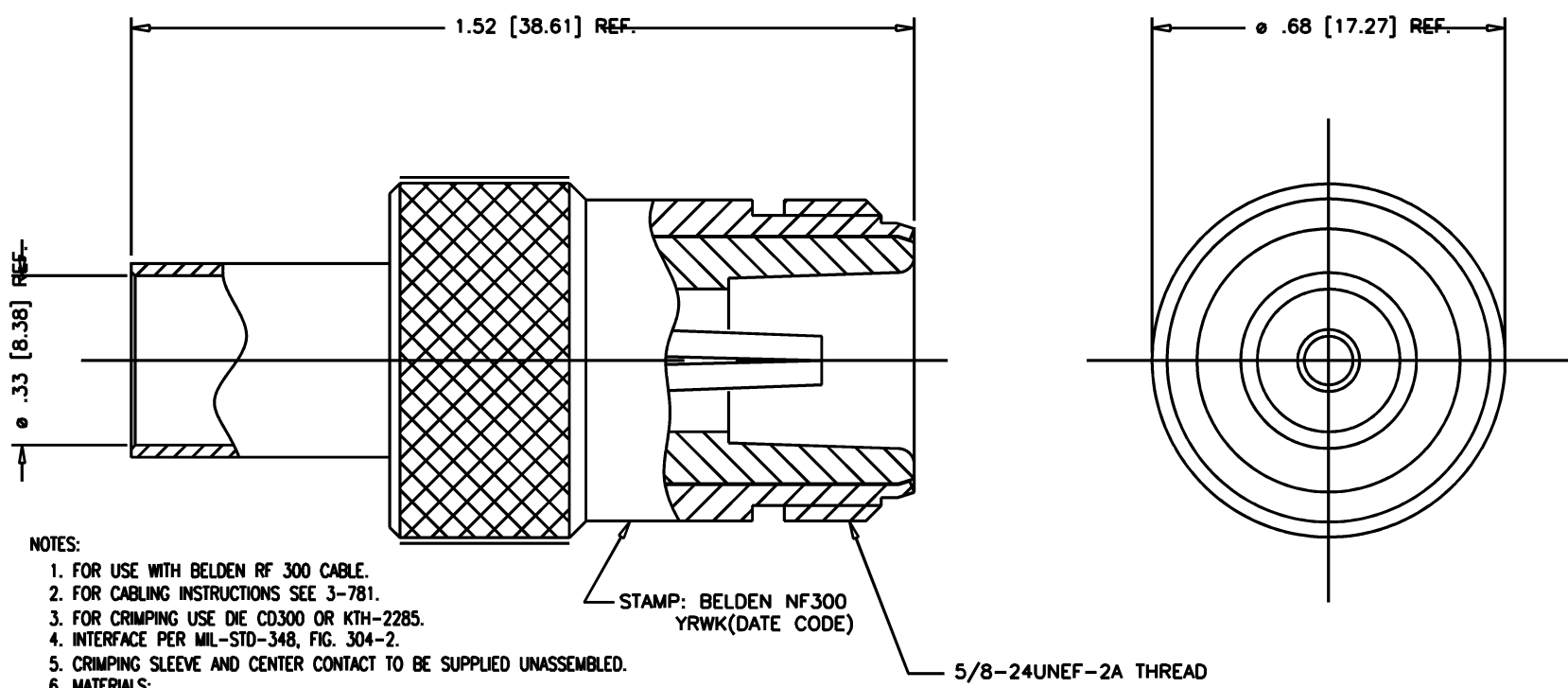
DASH NO.	M CODE	MADE FROM
----------	--------	-----------

GSD

1203-28-7

REVISIONS

ISSUE	CHANGES
0	ER 39429 DRK 03/28/06
1	CN 39971 C DRK 06/18/07



NOTES:

1. FOR USE WITH BELDEN RF 300 CABLE.
2. FOR CABLING INSTRUCTIONS SEE 3-781.
3. FOR CRIMPING USE DIE CD300 OR KTH-2285.
4. INTERFACE PER MIL-STD-348, FIG. 304-2.
5. CRIMPING SLEEVE AND CENTER CONTACT TO BE SUPPLIED UNASSEMBLED.
6. MATERIALS:

INSULATOR: TEFLON ASTM-D4894
 K-GRIP SLEEVE: COMMERCIAL BRONZE ASTM-B140
 ALL OTHER METAL PARTS: BRASS ASTM-B16

7. FINISHES:

CENTER CONTACT: GOLD PLATE ASTM-B488.
 ALL OTHER METAL PARTS: NICKEL (TR-5).

8. ELECTRICAL CHARACTERISTICS:

NOMINAL IMPEDANCE: 50 OHMS.
 WORKING VOLTAGE: 1000 VRMS.
 FREQUENCY RANGE: DC TO 11 GHZ.

SCALE 4:1

APPROX SURFACE AREA

BELDEN ONLY

USED ON

REF: EQR 933

JACK, N

DRAWN DRK	DATE 06/27/07
-----------	---------------

DESIGN DRK	DATE 10/05/05
------------	---------------

APPR.	DATE
-------	------

A Winchester Electronics Company

1203-28-7

GSD