

**PLEASE CHECK WWW.MOLEX.COM FOR LATEST PART INFORMATION**

**Part Number:** [130186-0052](#)  
**Status:** **Active**  
**Overview:** [Lighting Accessories](#)  
**Description:** Work Center Base with Manifold, Rubber Feet and Dolly Wheels

**Documents:**  
[RoHS Certificate of Compliance \(PDF\)](#)

**General**

Product Family	Portable Lighting
Series	<a href="#">130186</a>
NEMA Configuration	N/A
Outlet	None
Overview	<a href="#">Lighting Accessories</a>
Product Name	Woodhead®
Type	Accessory
UPC	78678804145
Woodhead	Yes

**Physical**

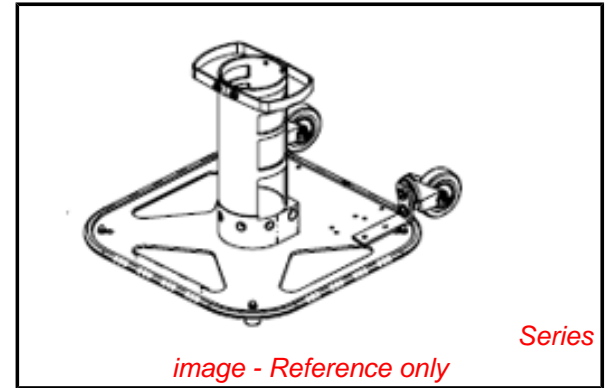
Cord Length - Primary	N/A
Cord Length - Secondary	N/A
Depth	469.90mm (18.500")
Duty	General
Guard Included	No
Guard Type	N/A
Height	342.90mm (13.500")
Length	546.10mm (21.500")
Material - Guard	N/A
Net Weight	453.540/kg
Packaging Type	Carton
Socket Construction	N/A

**Electrical**

Bulb Type	N/A
Lamp Type	N/A
Lamp Wattage - Maximum	N/A
Lumens	N/A
On/Off Switch	No
Voltage (Fixture) - Maximum	N/A

**Material Info**

Old Part Number	41-2405
-----------------	---------



*image - Reference only*

**EU RoHS** **China RoHS**

**Compliance Status**

**Not Reviewed**

**REACH SVHC**

**Not Reviewed**

**Low-Halogen Status**

**Not Reviewed**

**Need more information on product environmental compliance?**

Email [productcompliance@molex.com](mailto:productcompliance@molex.com)  
 For a multiple part number RoHS Certificate of Compliance, [click here](#)

Please visit the [Contact Us](#) section for any non-product compliance questions.

**Search Parts in this Series**

[130186Series](#)