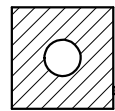
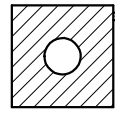
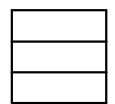


**FERROXCUBE**



e



a

b

c

d

f

1

2

3

4

5

6

7

8

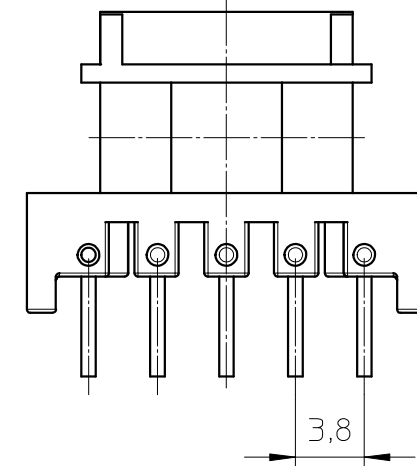
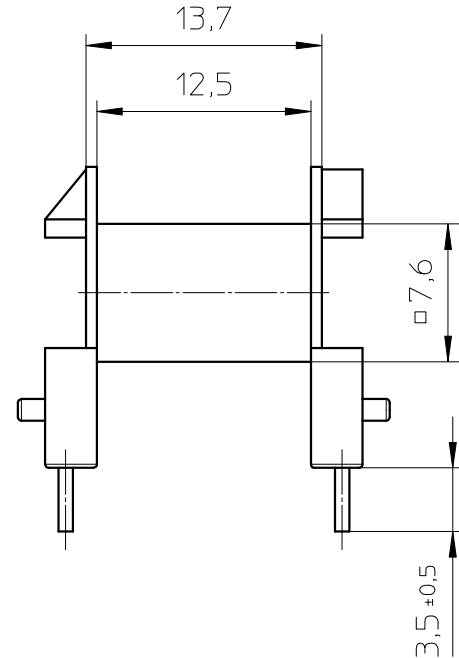
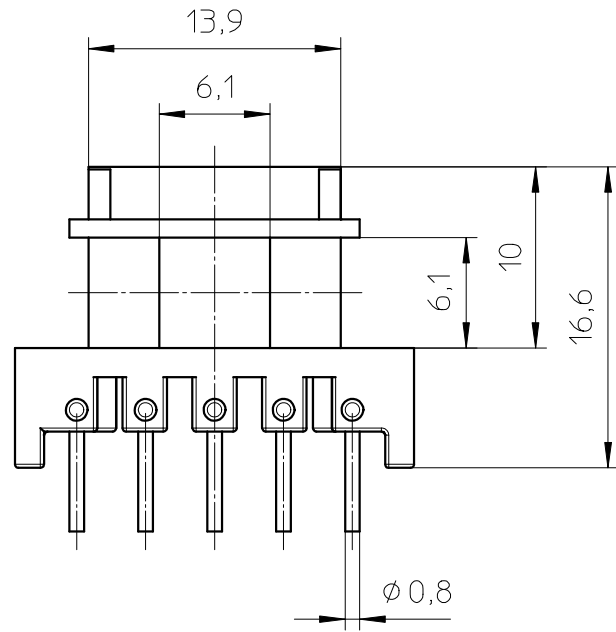
a

b

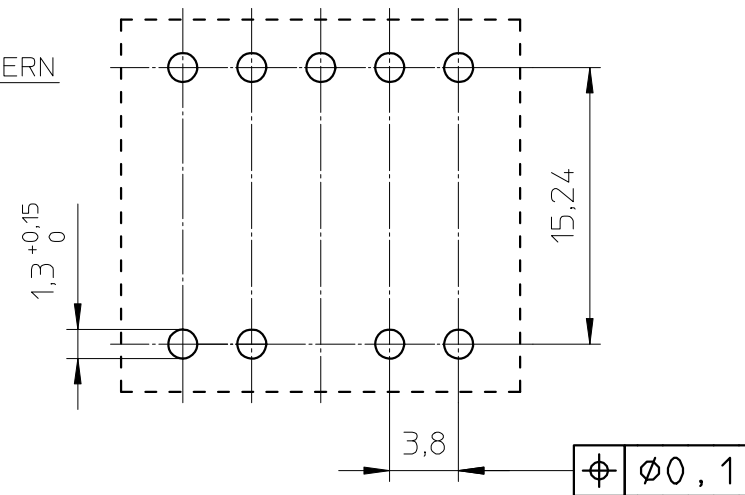
c

d

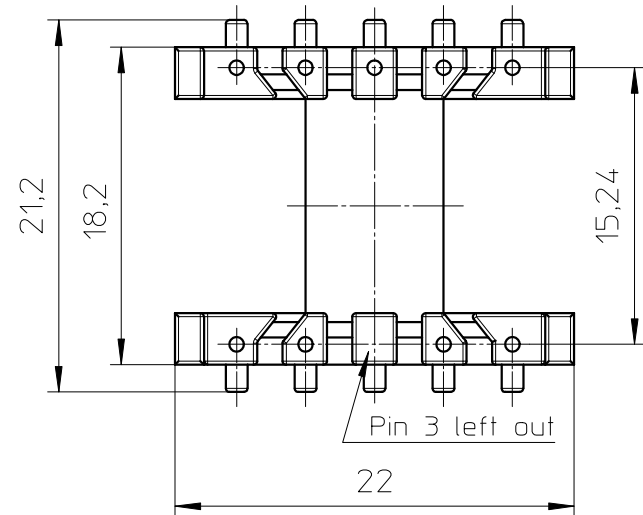
d



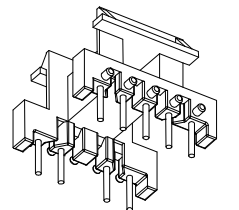
PROPOSED HOLE PATTERN



note: break strength of plastic 23N min.  
measured from pulling pinrow to pinrow.



- Coil former material: Sumikon PM9630 (PF), glass-reinforced. UL file number: E41429 - UL94V-0.
- Pin material: CuSn - Ni flash, Sn plated.
- Max. operating temp.: acc. to IEC 60 085 class H, 180°C.
- Resistance to soldering heat: acc. to IEC 60 068-2-20 Part 2, Test Tb, method 1B, 350°C-3,5s.
- Solderability: acc. to IEC 60 068-2-20 Part 2, Test Ta, method 1, 235°C-2s.
- Min. winding area: 35 mm.<sup>2</sup>
- Mean length of turn: 39 mm.



CLASS.NO.	CSH-E20/10/6-1S-9P-Z		4322 021 06511	2005-09-30 2005-10-05
NAME NAAM	M.Veekens	SUPERS. VERV.	001 SH SH BL BL 112 - 001	A3
MPA	CHECK CONTR.	DAT.	2005-09-30	Property of Eigendom van © FERROXCUBE 2000