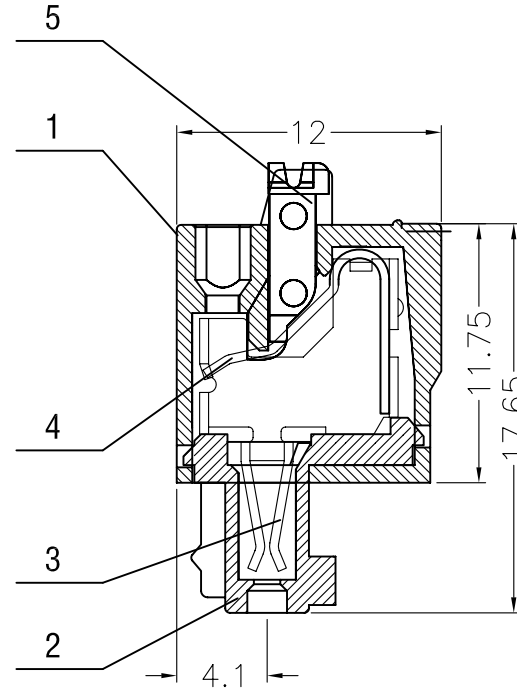
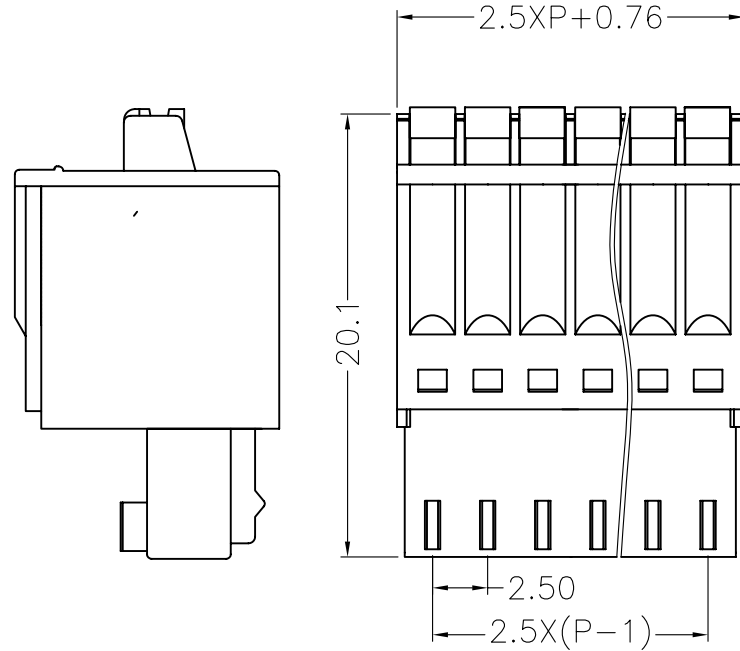


序号/RevNo.	名称/Title	文件编号/File No
1	XY2500FT主体(上)塑胶件	
2	XY2500FT主体(下)塑胶件	
3	XY2500FT端子	
4	XY2500FT弹片	
5	XY2500FT按钮	



125V 4A 28-20AWG 0.5mm²

Poles: 2-24P

Pitch: 2.5mm

Materials

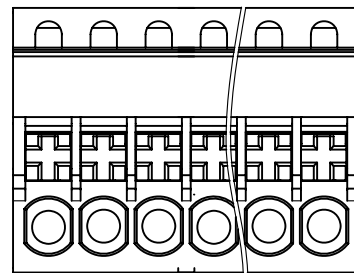
Housing: PA66 (UL 94V-0)

Clamping: Stainless steel

Clamp: phosphor bronze, nickel plated

Undimensioned tolerances:

Pitch range in mm			Nominal dimension range in mm					-	∩	▯
0	Over 6	Over 10	Over 24	Over 30	Over 60	Over 100	Over 150	0.1/10		
T0	T0	T0	T0	T0	T0	T0	T0	∠		
6	10	24	30	60	100	150				
±0.10	±0.15	±0.20	±0.25	±0.40	±0.50	±0.70	±1.0	±2°		



设计/Designed by	绘图/Drawing by	审核/Checked by	批准/Approved by	未注公差 General Tolerance	
				x.	x.°
				.x	.x°
				.xx	.xx°
图名/Title: 2500FT-2.5 产品图 文件编号/File No.: QJ/XYT-1001000-00-00 页序/Sheet:				.xxx	.xx°
备注/Remark			单位/Units: mm		