

**PLEASE CHECK WWW.MOLEX.COM FOR LATEST PART INFORMATION**

**Part Number:** [0355130200](#)  
**Status:** **Active**  
**Description:** FSM Bulb Socket Receptacle

**Documents:**

[3D Model](#) [Product Specification PS-35512-001 \(PDF\)](#)  
[Drawing \(PDF\)](#) [RoHS Certificate of Compliance \(PDF\)](#)

**General**

Product Family	Other Sockets
Series	35513
Component Type	Socket
Product Name	Bulb Socket

**Physical**

Circuits (Loaded)	2
Circuits (maximum)	2
Color - Resin	Gray
Durability (mating cycles max)	50
Entry Angle	Vertical
Keying to Mating Part	None
Material - Metal	Phosphor Bronze
Material - Resin	Nylon
PCB Locator	No
PCB Retention	N/A
Packaging Type	Bag
Pitch - Mating Interface (in)	0.272 In
Pitch - Mating Interface (mm)	6.90 mm
Pitch - Term. Interface (in)	0.272 In
Pitch - Term. Interface (mm)	6.90 mm

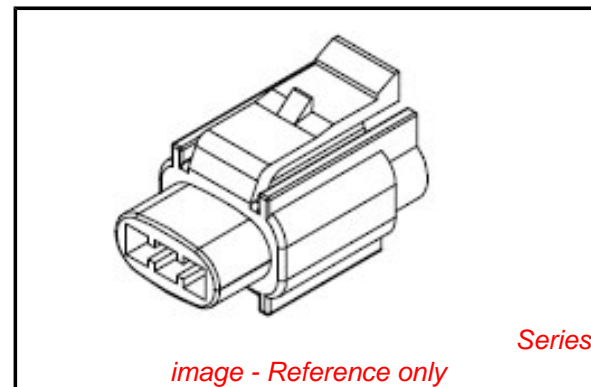
**Electrical**

Current - Maximum per Contact	5A
Voltage - Maximum	300V AC/DC

**Material Info**

**Reference - Drawing Numbers**

Product Specification	PS-35512-001
Sales Drawing	SD-35513-001



*image - Reference only*

**EU RoHS**

**ELV and RoHS  
Compliant**  
**REACH SVHC**  
 Not Reviewed  
**Halogen-Free  
Status**

**China RoHS**



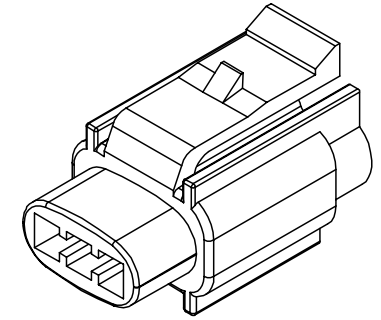
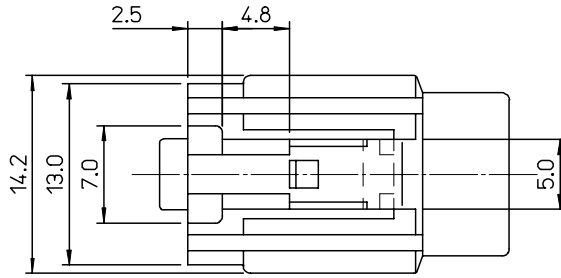
**Need more information on product  
environmental compliance?**

Email [productcompliance@molex.com](mailto:productcompliance@molex.com)  
 For a multiple part number RoHS Certificate of  
 Compliance, [click here](#)

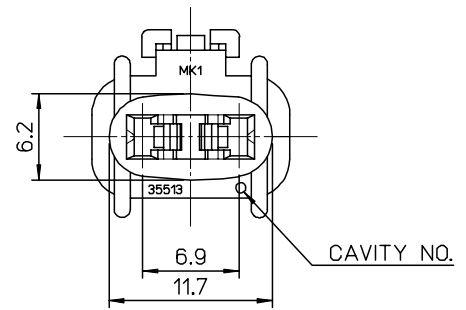
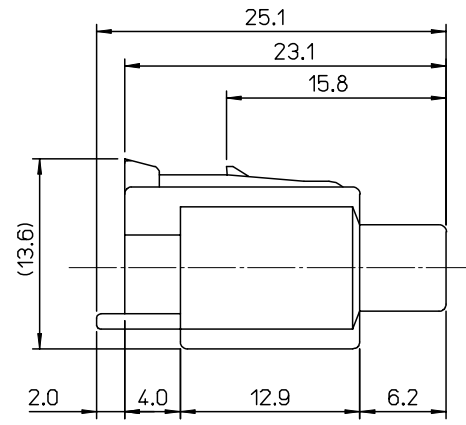
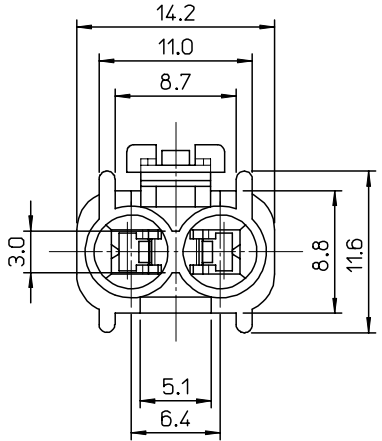
Please visit the [Contact Us](#) section for any  
 non-product compliance questions.

**Search Parts in this Series**  
[35513Series](#)

NO.	MATERIAL NO.	ENG. NO.
1	355130200	35513-0200



**ISOMETRIC VIEW**



**NOTES**

1. MATERIAL : POLYAMIDE(PA66), 40% MINERAL FILLED, UL94HB

CHANGED OF MATERIAL EC NO.: KOR2008-0070 DRW: NEEKIM 2007/10/04 CHK: BCY00N 2007/10/04 APPR: YUNSIKKIM 2007/10/02	QUALITY SYMBOLS ▽=0 ▽=0	GENERAL TOLERANCES (UNLESS SPECIFIED)		DIMENSION STYLE <b>MM ONLY</b>	SCALE <b>4:1</b>	DESIGN UNITS <b>METRIC</b>	THIRD ANGLE PROJECTION	
		4 PLACES ± --- ± ---	mm INCH	DRAWN BY JKOH	DATE 1997/01/20	TITLE <b>FSM FEMALE HOUSING 2P</b>		
		3 PLACES ± --- ± ---		CHECKED BY BKCHOI	DATE 1997/01/20	MOLEX INCORPORATED		
		2 PLACES ± --- ± ---		APPROVED BY CWLEE	DATE 1997/01/20	MATERIAL NO. <b>355130200</b>	DOCUMENT NO. <b>SD-35513-001</b>	SHEET NO. <b>1 OF 1</b>
1 PLACE ± 0.3 ± ---		ANGULAR ± 1 °		DRAFT WHERE APPLICABLE MUST REMAIN WITHIN DIMENSIONS				
SIZE <b>A2</b>				THIS DRAWING CONTAINS INFORMATION THAT IS PROPRIETARY TO MOLEX INCORPORATED AND SHOULD NOT BE USED WITHOUT WRITTEN PERMISSION				