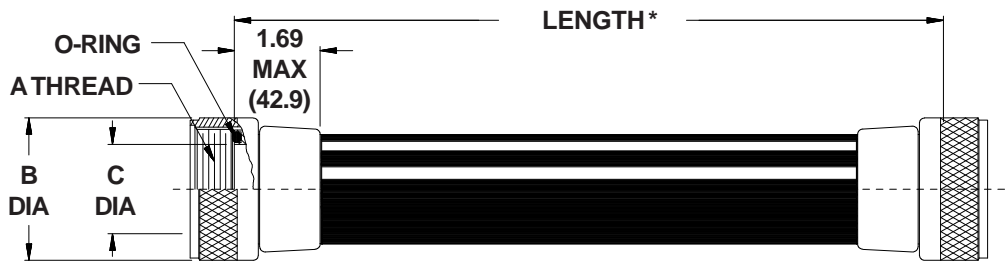
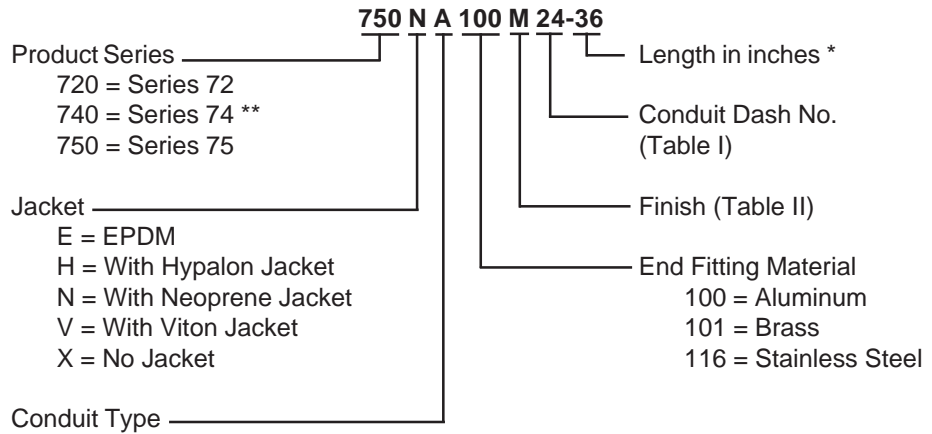


## FOR ADAPTER-TO-ADAPTER APPLICATIONS

**FOR USE WITH  
"Y" AND "T"  
TRANSITION  
ADAPTERS  
SUCH AS  
710-077  
THROUGH  
710-120  
713-100  
THROUGH  
713-103**



Metric dimensions (mm) are in parentheses.

\* Length tolerance is  $\pm .250$  (12.7) for lengths up to 24 inches (619.6 mm). Length tolerance for longer lengths is  $\pm$  one percent (1%) of the length.

\*\* Pre-terminated assemblies using product Series 740 will be supplied with FEP material, standard wall thickness, standard convolutions, tin copper braid, and neoprene jacket. For other options consult factory.

**750-100, 750-101 and 750-11  
Adapter to Adapter Pre-Terminated Assemblies  
Series 72 & 74 Tubing & Series 75 Conduit**



**TABLE I: CONDUIT DASH NUMBER**

COND. DASH NO.	AVAILABILITY			ATHREAD CLASS 2B	B MAX	C MAX
	72	74	75			
06		06		7/16 - 28 UNEF	.640 (16.3)	.188 (4.8)
08			08	1/2 - 20 UNF	.640 (16.3)	.250 (6.4)
09	09	09		9/16 - 24 UNEF	.690 (17.5)	.281 (7.1)
10		10		9/16 - 24 UNEF	.690 (17.5)	.312 (7.9)
12	12	12	12	5/8 - 24 UNEF	.760 (19.3)	.375 (9.5)
14		14		11/16 - 24 UNEF	.890 (22.6)	.438 (11.1)
16	16	16	16	3/4 - 20 UNEF	.890 (22.6)	.500 (12.7)
20	20	20	20	7/8 - 20 UNEF	1.024 (26.0)	.625 (15.9)
24	24	24	24	1 - 20 UNEF	1.152 (29.3)	.750 (19.1)
28	28	28		1 3/16 - 18 UNEF	1.363 (34.6)	.875 (22.2)
32	32	32	32	1 5/16 - 18 UNEF	1.488 (37.8)	1.000 (25.4)
40	40	40	40	1 1/2 - 18 UNEF	1.676 (42.6)	1.250 (31.8)
48		48	48	1 3/4 - 18 UNS	1.960 (49.8)	1.500 (38.1)
56		56	56	2 - 18 UNS	2.210 (56.1)	1.750 (44.5)
64		64	64	2 1/4 - 16 UN	2.460 (62.5)	2.000 (50.8)
80			80	2 3/4 - 16 UN	2.930 (74.4)	2.500 (63.5)
96			96	3 1/4 - 16 UN	3.460 (87.9)	3.000 (76.2)

**TABLE II: FINISH OPTIONS**

SYMBOL	FINISH
B	Olive Drab over Cadmium Plate
J	Gold Iridite over Cadmium Plate over Nickel
M	Electroless Nickel
N	Olive Drab over Cadmium Plate over Nickel
NC	Zinc-Cobalt, Olive Drab
NF	Olive Drab over Cadmium Plate over Electroless Nickel (500 Hour Salt Spray)
T	Bright Dip Cadmium Plate over Nickel
Z1	Passivate

Metric dimensions (mm) are in parentheses.