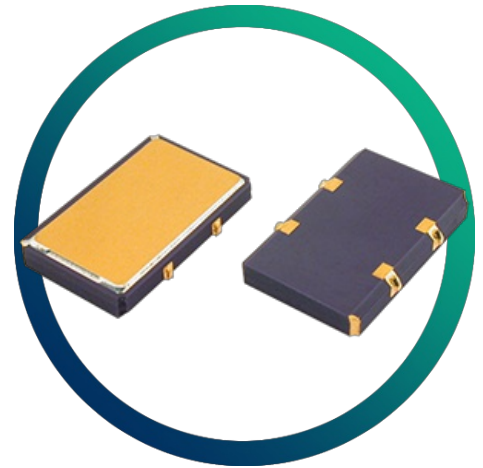


# MCSOH

## High Frequency 5.0V CMOS Oscillator with -55+125°C Temperature Range



- Military temperature range -55+125°C option
- Excellent shock & vibration resistance
- Enable / disable tristate option (>500kHz)
- Wide frequency range available
- J-lead termination option

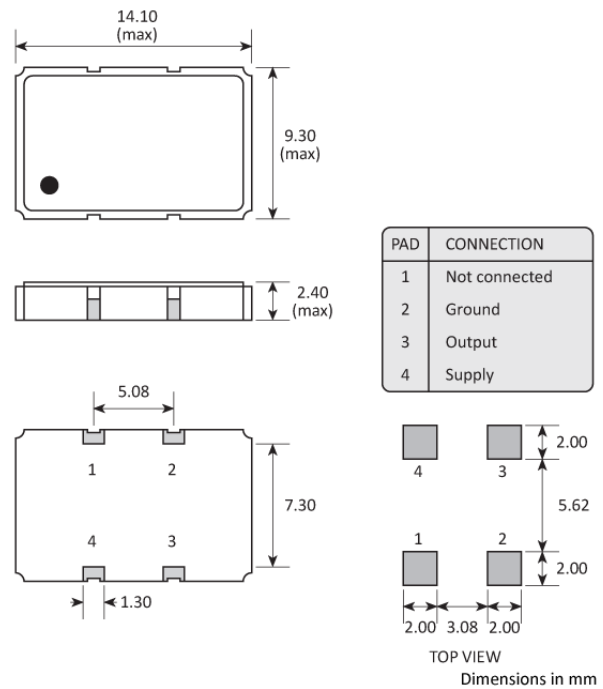
### CONFIGURABLE OPTIONS

Parameter	Option Code
Frequency	
Frequency stability	
Any	
±100ppm	
±50ppm	T
Operating temperature range	
Any	
0 to +70°C	A
-40 to +85°C	B
-55 to +125°C	C
Enable / disable function	
Any	
None (pad 1 NC)	
Tristate (control via pad 1)	E
Terminations	
Any	
Gold flashed pads	
Ag/Cu/Zn plated J-leads	J

## SPECIFICATIONS

Frequency range	20.0 ~ 225MHz
Dimensions	14.1 x 9.3 x 2.4mm
Supply voltage ( $V_{DD}$ )	+5.0V ( $\pm 5\%$ )
Storage temperature range	-65 to +125°C
Supply current	40mA max
Driving ability	CMOS
Load	3pF min, 47pF max
Logic levels	'0' level = +0.4V max '1' level = $V_{DD}-0.5V$ min
Start up time	1ms typ, 5ms max
Waveform symmetry	40:60 max @ 50% $V_{DD}$
Rise / fall time	3ns max
Shock resistance	5,000g, 0.3ms $\frac{1}{2}$ -sine
Vibration resistance	20g rms 10.0 ~ 2,000Hz
Soldering condition	260°C, 10 sec max

## PACKAGE DRAWING



## ORDERING INFORMATION

To request a quotation for the MCSOH please use the configurable options form to choose the options you require and then submit your configured product to our team. Our expert advisers are always happy to help with your requirements and can be contacted on +44 1460 256 100 or at [sales@golledge.com](mailto:sales@golledge.com).

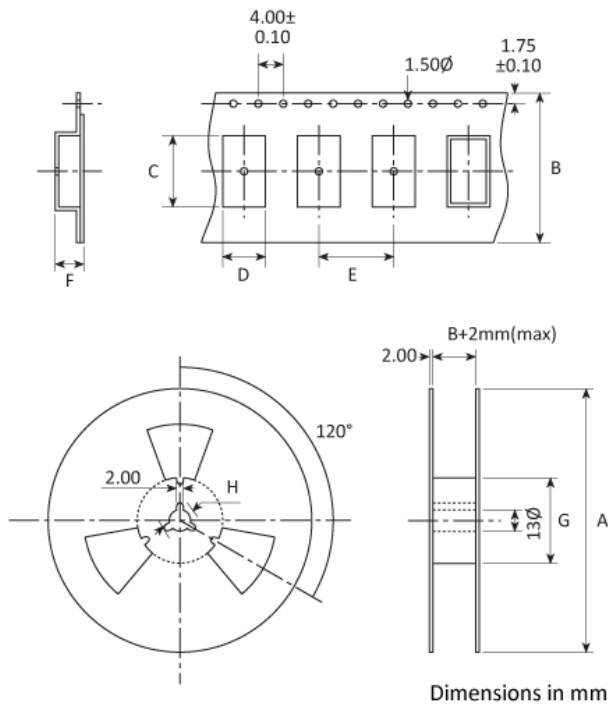
Following product selection you will be issued with a seven character Golledge part number. Your Golledge part number is the internationally accepted Golledge manufacturing part number (MPN) that should be used for all project documentation, including bills of materials (BoMs) and purchase orders.

If you have any queries regarding any of our documentation our dedicated sales team will be happy to help.

## ENABLE / DISABLE FUNCTION

Input (pad 1)	Output (pad 3)
Open	Enabled
'1' level	Enabled
'0' level	High Impedance

## TAPE & REEL SPECIFICATION



A:330 B:24 C:16.5 D:14.8 E:12 F:3.5 G:80 H:21

## CONSTRUCTION

Ceramic base with Kovar lid

## HANDLING & STORAGE



Human Body Model (HBM) 1A (250V to <500V)



Moisture Sensitivity Level (MSL): 1 (or not applicable)

## MATERIAL COMPOSITION



Lead-free (< 0.1% by weight)



RoHS 2 compliant with 7(c)-1 exemption. [See our declaration](#)



REACH compliant. [See our statement](#)



Free of conflict minerals. [See our declaration](#)



Free of Halogens. [See our declaration](#)



Free of Ozone-depleting substances. [See our declaration](#)

## OTHER INFORMATION

### About Golledge

We are the UK's leading supplier of frequency control products and are proud to serve the global electronics industry. Our philosophy is a focus firmly on your requirements by striving to meet and exceed your needs. We do this by ensuring the utmost quality and consistency in our products and services. If you have any queries about the Golledge service or any of our products please get in touch, we'd love to hear from you.

### Come and visit

Eaglewood Park, ILMINSTER,  
Somerset, TA19 9DQ, England

### Give us a call

Tel: +44 1460 256 100  
Fax: +44 1460 256 101

### Email us

sales@golledge.com

### Our Worldwide Distributors

#### Belgium & Luxembourg

Alcom Electronics NV/SA



Email info@alcom.be  
Web www.alcom.be  
Tel +32 (0)3 458.30.33

#### China, Hong Kong - 中国 / 香港

Meiya China



Email sales@meiyatech.com  
Web www.meiyatech.com  
Tel +86 755 2823 1923

#### France

Equipments Scientifique



Email comp@es-france.com  
Web www.es-france.com  
Tel +33 1 47 95 99 89

#### Germany

MEV Elektronik Service GmbH



Email info@mev-elektronik.com  
Web www.mev-elektronik.com  
Tel +49 54 24 23 40-0

#### India

V5 Semiconductors



Email sales@v5semiconductors.com  
Web v5semiconductors.com  
Tel +91-80-2661 0621

#### Israel

Phoenix Technologies Ltd



Email sales@phnx.co.il  
Web www.phnx.co.il  
Tel +972 9 764 4800

#### Netherlands

Alcom Electronics BV



Email info@alcom.nl  
Web alcom.nl  
Tel +31 (0)10 288.25.00

#### Norway

Link Nordic



Email bjorn.nyjordet@linknordic.com  
Web linknordic.com  
Tel +47 93 22 68 90

#### Russia - Россия

EFO Ltd



Email elena@efo.ru  
Web www.golledge.ru  
Tel +7(812)327-8654

#### Spain & Portugal

R.C. Microelectronica, S.A.



R.C. MICROELECTRÓNICA, S.A.  
Email ventas@rcmicro.es  
Web www.rcmicro.es  
Tel +34 93 260 21 66

Our customer feedback is testament to our quality; "Never had such good service as this from anyone in 35 years of being in the industry, this is impressive and has really helped us out of a corner to keep the design flowing" Andy (Senior Design Engineer), "As always your support is state of the art" Nicoleta (Material Management), "Legendary work - as usual it has to be said" John (Operations).

To take advantage of our highly praised service get in touch with us today.