

PLEASE CHECK WWW.MOLEX.COM FOR LATEST PART INFORMATION

Part Number: [0008650121](#)
Status: **Active**
Overview: [kk](#)
Description: Trifurcon™ Crimp Terminal 7258, 22-26 AWG, Reel, Phosphor Bronze Selective Gold (Au)

Documents:

[Drawing \(PDF\)](#) [RoHS Certificate of Compliance \(PDF\)](#)
[Product Specification PS-40-02 \(PDF\)](#)

General

Product Family	Crimp Terminals
Series	7258
Crimp Quality Equipment	Yes
Overview	kk
Product Name	Trifurcon™

Physical

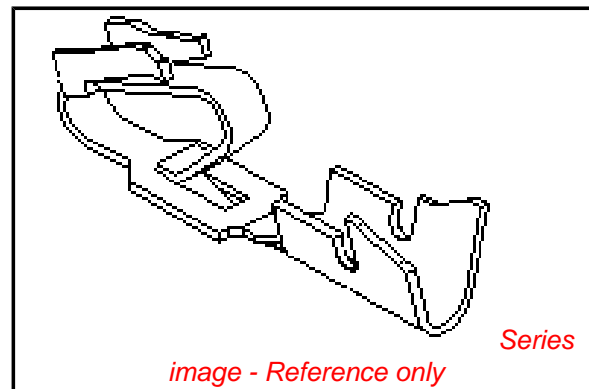
Gender	Female
Material - Metal	Phosphor Bronze
Material - Plating Mating	Gold
Material - Plating Termination	Nickel
Packaging Type	Reel
Plating min: Mating (µin)	30
Plating min: Mating (µm)	0.75
Plating min: Termination (µin)	50
Plating min: Termination (µm)	1.25
Termination Interface: Style	Crimp or Compression
Wire Insulation Diameter	1.65mm (.065") max.
Wire Size AWG	22, 24, 26
Wire Size mm²	N/A

Material Info

Old Part Number	7258-A(P561)
-----------------	--------------

Reference - Drawing Numbers

Product Specification	PS-40-02
Sales Drawing	SD-7258



EU RoHS

ELV and RoHS Compliant
REACH SVHC Contains SVHC: No
Halogen-Free Status

China RoHS



Need more information on product environmental compliance?

Email productcompliance@molex.com
 For a multiple part number RoHS Certificate of Compliance, [click here](#)

Please visit the [Contact Us](#) section for any non-product compliance questions.

Search Parts in this Series

[7258Series](#)

Application Tooling | [FAQ](#)

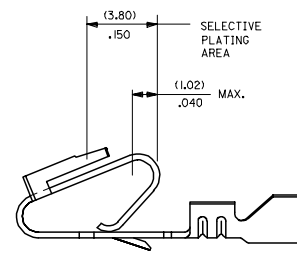
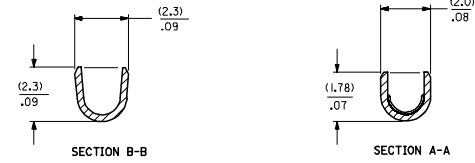
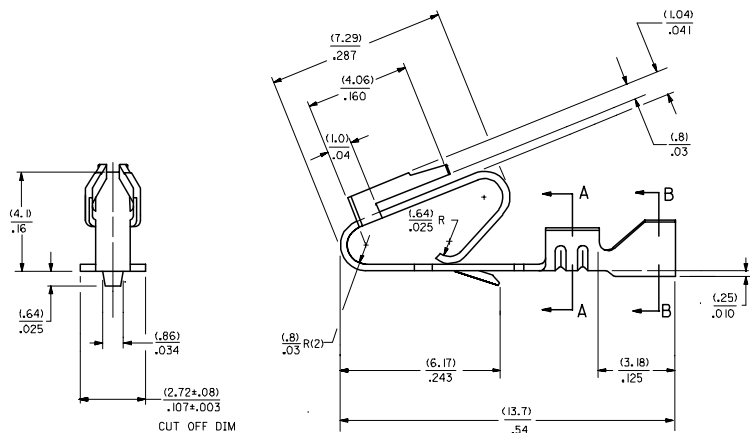
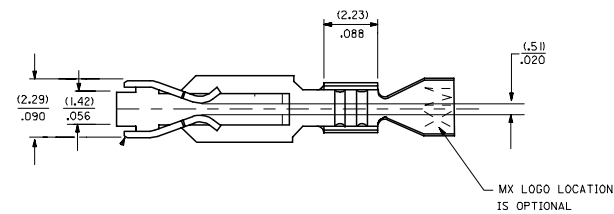
Tooling specifications and manuals are found by selecting the products below. Crimp Height Specifications are then contained in the Application Tooling Specification document.

Global

Description	Product #
Terminator Die	0011402097
HAND CRIMP TOOL	0638117400
Mini-Mac™ Applicator	0638881000

PLEASE CHECK WWW.MOLEX.COM FOR LATEST PART INFORMATION

- NOTES
2. CRIMP FOR 22 TO 26 GA. WIRE WITH MAX. INSULATION DIA. OF (.165)/.065
 3. PLATINGS CONFORM TO MOLEX ENG. STD. SDES-88.
 4. DIMENSIONS GIVEN ACROSS CENTERLINES ARE SYMMETRICAL ABOUT THOSE CENTERLINES WITHIN HALF THE TOTAL TOLERANCE.
 5. PARTS CONFORM TO PRODUCT SPECIFICATION PS-40-02.



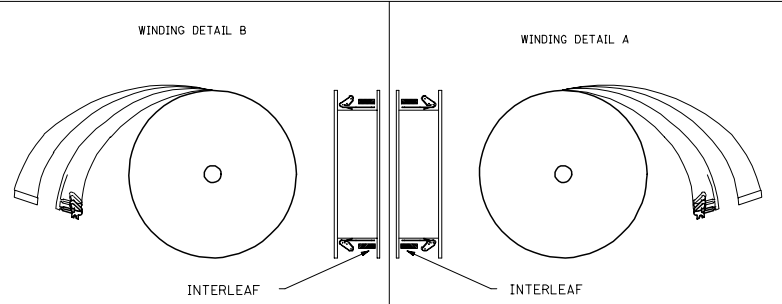
SELECTIVE PLATING AREA

7258-1(1)
 MAT'L (.27)±.0106 THK J FORM
 BLANK=BRASS BLANK= CHAIN PER DETAIL B
 A=PHOS. BRONZE A=CHAIN PER DETAIL A
 L= LOOSE L= LOOSE

PLATING PER SDES- 88

(909) * OVERALL HOT TIN DIP: .00254 MICROMETERS MIN.
 (558) SELECT GOLD: .00076 MICROMETERS MIN.
 OVERALL GOLD FLASH: .00005 MICROMETERS MIN.
 OVERALL NICKEL UNDERPLATE: .00127 MICROMETERS MIN.
 (561) SELECT GOLD: .00076 MICROMETERS MIN.
 OVERALL NICKEL UNDERPLATE: .00127 MICROMETERS MIN.

*THE PRIMARY SHIPPING CARTON WILL BE LABELED "COMPLIANT TO RoHS DIRECTIVE 2002/95/EC AND ELV ANNEX II OF DIRECTIVE 2000/53/EC." CARTONS WITHOUT THIS LABEL MAY CONTAIN PRODUCT WITH TIN-LEAD PLATING.



CHANGE TO ME10 DEC NO: UCP2005-0964 DRW: WADPATNOL 2004/11/19 CHKCD: SAMEC 2006/04/19 APPR: MMARGULIS 2004/11/02	QUALITY SYMBOLS ▽=0 ▽=0	GENERAL TOLERANCES (UNLESS SPECIFIED) mm INCH 4 PLACES ± .15 ± .006 3 PLACES ± .10 ± .004 2 PLACES ± 0.25 ± .014 1 PLACE ± 0.36 ± .014 ANGULAR ±1/2°	DIMENSION STYLE IN/MM DRAWN BY DATE JJS 12/03/87 CHECKED BY DATE PATEL 12/03/87 APPROVED BY DATE LENZ 12/03/87	SCALE --- DESIGN UNITS INCH THIRD ANGLE PROJECTION	TITLE TRIFURCON TERMINAL CRIMP TYPE, .156 CENTERS 22 TO 26 AWG	MATERIAL NO. SD-7258	DOCUMENT NO. SD-7258	SHEET NO. 1 OF 2
	DRAFT WHERE APPLICABLE MUST REMAIN WITHIN DIMENSIONS	SEE CHART	THIS DRAWING CONTAINS INFORMATION THAT IS PROPRIETARY TO MOLEX INCORPORATED AND SHOULD NOT BE USED WITHOUT WRITTEN PERMISSION	MOLEX MOLEX INCORPORATED				

7258-(*)*

7258-A(*)*

PART NO.	ENG. NO.	PART NO.	ENG. NO.	PART NO.	ENG. NO.	PART NO.	ENG. NO (SUFFIX ONLY)	PART NO.	ENG. NO (SUFFIX ONLY)	VOID CKT.	PART NO.	ENG. NO (SUFFIX ONLY)	VOID CKT.
08-50-0183	7258-(P909)	08-04-0001	7258-A(999)										
08-50-0185	7258-(P909)IL	08-65-0121	7258-A(P56)IL	ES-276-P561									
08-56-0181	7258-(503)	08-65-0122	7258-A(P56)IL										
08-56-0182	7258-(503)IL	08-56-0123	7258-A(P558)	MAKE FROM									
08-50-0283	7258-(P909)IA	08-56-0124	7258-A(P558)IL	7258-A(P56)IL									
			7258-A(56)IL										
			7258-A(56)IL										
		08-52-0124	7258-A(P909)										
		08-52-0125	7258-A(P909)IL										
		08-65-0126	7258-A(P555)										
		08-65-0127	7258-A(P555)IL	ES-276-P555									
		08-58-0133	7258-A(550)IL	MAKE FROM									
		08-58-0134	7258-A(550)IL	7258-A(P555)									

COLUMN NO. 1	CON'T. IN COLUMN NO.	SHEET NO.	COLUMN NO. 2	CON'T. IN COLUMN NO.	SHEET NO.	COLUMN NO. 3	CON'T. IN COLUMN NO.	SHEET NO.	COLUMN NO. 4	CON'T. IN COLUMN NO.	SHEET NO.	COLUMN NO. 4	CON'T. IN COLUMN NO.	SHEET NO.	COLUMN NO. 4	CON'T. IN COLUMN NO.	SHEET NO.
--------------	----------------------	-----------	--------------	----------------------	-----------	--------------	----------------------	-----------	--------------	----------------------	-----------	--------------	----------------------	-----------	--------------	----------------------	-----------

CHANGE TO ME10 DEC NO. UCP2005-0964 DRAWN BY: JJS CHK'D: S.M.E.C. 2006/07/19 APPR: MARGULLIS 2006/11/05 T1 REV DESCRIPTION	QUALITY SYMBOLS	GENERAL TOLERANCES (UNLESS SPECIFIED)	DIMENSION STYLE	SCALE	DESIGN UNITS	THIRD ANGLE PROJECTION
	▽=0 ▽=0	mm INCH 4 PLACES ± --- ± --- 3 PLACES ± --- ± --- 2 PLACES ± --- ± --- 1 PLACE ± --- ± --- ANGULAR ±1/2°	IN/MM DRAWN BY: JJS DATE: 12/07/87 CHECKED BY: DATE: 12/07/87 PATEL APPROVED BY: DATE: 12/07/87 LENZ	---	INCH	TITLE: TRIFURCON TERMINAL CRIMP TYPE Molex MOLEX INCORPORATED
	DRAFT WHERE APPLICABLE MUST REMAIN WITHIN DIMENSIONS	SEE CHART	MATERIAL NO.	DOCUMENT NO.	SHEET NO.	
	SIZE D	THIS DRAWING CONTAINS INFORMATION THAT IS PROPRIETARY TO MOLEX INCORPORATED AND SHOULD NOT BE USED WITHOUT WRITTEN PERMISSION	SD-7258	2		