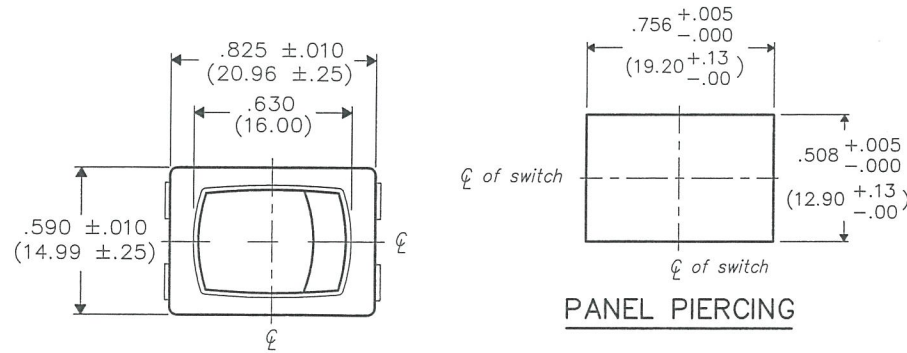


THIS INFORMATION IS CONFIDENTIAL AND PROPRIETARY TO CW INDUSTRIES INCORPORATED AND ITS AFFILIATES. IT MAY NOT BE DISCLOSED TO ANYONE, OTHER THAN CW INDUSTRIES PERSONNEL, WITHOUT WRITTEN AUTHORIZATION FROM CW INDUSTRIES INCORPORATED, SOUTHAMPTON, PENNSYLVANIA USA.

DIMENSIONS IN INCHES (MILLIMETERS)
DO NOT SCALE DRAWING

Dwg. No.
GRS-4011-0107

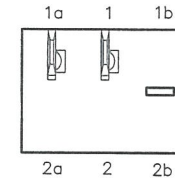
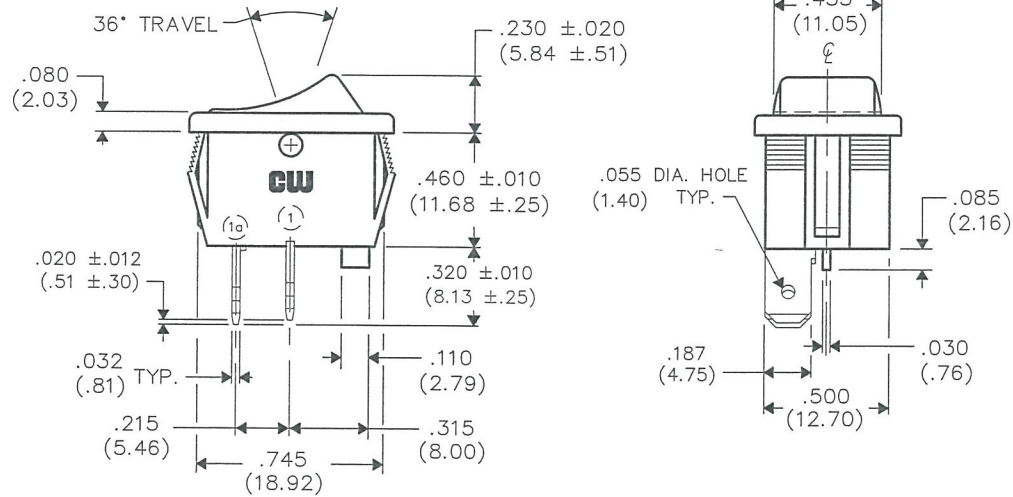


PANEL PIERCING

SWITCH COLOR - Black

SWITCH RATINGS:

- UL & CSA
- 8A. 125VAC 4A. 250VAC
- 3A. 277VAC



BOTTOM VIEW

1	2	3	4	5	6	7	8	9	10
---	---	---	---	---	---	---	---	---	----

<p>B-FORMAT 2002</p> <p>REVISIONS</p> <p>RELEASED: D.G.W. 7-02-13 JUL 19 2013</p>		<p>GW INDUSTRIES Southampton, Pa. 18966</p> <p>TOLERANCES UNLESS OTHERWISE SPECIFIED</p> <table style="font-size: small;"> <tr> <td>2 Place Decimal ±.010</td> <td>METRIC</td> </tr> <tr> <td>3 Place Decimal ±.005</td> <td>1 Place Dec. ±.25mm</td> </tr> <tr> <td>Angles ±1'</td> <td>2 Place Dec. ±.13mm</td> </tr> </table> <p>Made for: CW IND.</p> <p>Drawn by: DGW 7-02-13</p> <p>Checked by: <i>G. Guld 7-10-13</i></p> <p>Approval: <i>G. Guld 7-10-13</i></p>	2 Place Decimal ±.010	METRIC	3 Place Decimal ±.005	1 Place Dec. ±.25mm	Angles ±1'	2 Place Dec. ±.13mm	<p>Title:</p> <p>MINI SWITCH SNAP - IN S.P. - S.T.</p> <p>Division:</p> <p>SWITCH</p> <p>Dwg. No.</p> <p>GRS-4011-0107</p>
2 Place Decimal ±.010	METRIC								
3 Place Decimal ±.005	1 Place Dec. ±.25mm								
Angles ±1'	2 Place Dec. ±.13mm								

MASTER