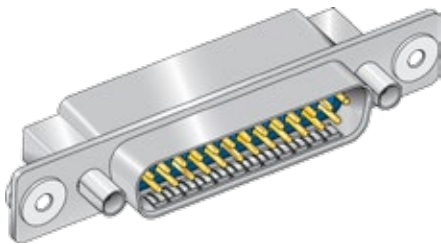


# HiPer-D Standard and High-Density Connectors



## 280-030P float mount pin connectors for blind mating, crimp termination



280-030P HiPer-D pin connectors feature stainless steel float bushings for blind mating. Attach to panel with #4-40 screws (not supplied with connector). Crimp, rear-releaseable size #20 or #22 contacts. Intermateable with standard M24308-type D-Subminiature connectors, the HiPer-D features a rugged machined aluminum shell, rubber seals and optional ground springs for improved resistance to electromagnetic interference. Threaded holes on the rear of the connector allow direct attachment of HiPer-D EMI backshells. Contacts are packaged with connector. Terminate contacts with crimp tools purchased separately. Glass-reinforced thermoset epoxy insulators, copper alloy retention clips. Fluorosilicone face seal and rear grommet meet IP67 immersion requirement (mated). 1000 VAC, 5 Amps (#22) or 7.5 Amps (#20).

B

Ordering Information					
Sample Part Number	280-030P	6H104	MT	N	N
Basic Part Number	280-030P				
Shell Size-Contact Arrangement	Contact Arrangements are shown in the adjacent table				
Shell Finish	ME = Electroless Nickel (RoHS) MT = Nickel-PTFE (RoHS) JF = Cadmium with Yellow Chromate Z2 = Gold (RoHS) Z1 = Passivated Stainless Steel (RoHS)				
Ground Spring	G = Supplied with EMI Ground Spring N = No Ground Spring				
Mating Hardware	N = No Hardware (supplied with #8-32 tapped hole) G = Male Guide Pins B = Female Guide Bushings				

Shell Size - Contact Arrangements		
Shell Size-Contact Arr.	Contact Size and Qty	
	#20	#22
<b>Standard Density</b>		
1S9	9	
2S15	15	
3S25	25	
4S37	37	
5S50	50	
<b>High Density</b>		
1H15		15
2H26		26
3H44		44
4H62		62
5H78		78
6H104		104

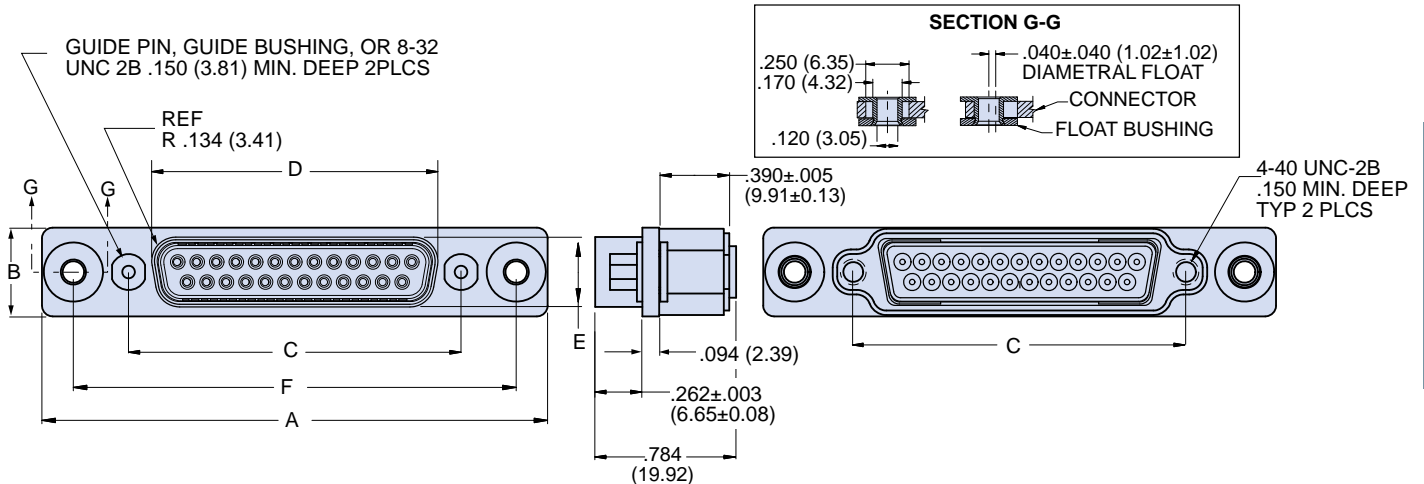
Materials and Finishes	
Shell	Aluminum alloy
Contacts	Copper alloy, 50 microin. gold plated
Insulators	Thermoset epoxy
Retention Clips	Copper alloy
Grommet, Seal, O-ring	Fluorosilicone rubber
Hardware	300 series stainless steel

Specifications	
Current Rating	#22 5 AMPS, #20 7.5 AMPS
Test Voltage	1000 VAC RMS
Insulation Resistance	5000 megohms minimum
Operating Temperature	-65° C. to +200° C.
Ingress Protection	IP 67
Shock	300 g.
Vibration, Random	43.92 g.

Mating Hardware		
<b>N</b> No Hardware #8-32 tapped hole	<b>B</b> Female Guide Bushings	<b>G</b> Male Guide Pins

## 280-030P float mount pin connectors for blind mating, crimp termination

### 280-030P DIMENSIONS



Shell Size	A		B		C Basic		D		E		F Basic	
	in ± .015	mm ± 0.38	in ± .015	mm ± 0.38	in.	mm	in ± .005	mm ± 0.13	in ± .005	mm ± 0.13	in	mm
1	1.986	50.44	.494	12.55	.984	24.99	.726	18.44	.389	9.88	1.636	41.55
2	2.314	58.78	.494	12.55	1.312	33.32	1.054	26.77	.389	9.88	1.964	49.89
3	2.854	72.49	.494	12.55	1.852	47.04	1.594	40.49	.389	9.88	2.504	63.60
4	3.502	88.95	.494	12.55	2.500	63.50	2.242	56.95	.389	9.88	3.152	80.06
5	3.408	86.56	.600	15.24	2.406	61.11	2.139	54.33	.501	12.73	3.058	77.67
6	3.502	88.95	.662	16.81	2.500	63.50	2.272	57.71	.563	14.30	3.152	80.06

### NOTES

- HiPer-D connectors are available with a wide variety of materials and finishes. See [About Series 28 HiPer-D Shell Plating Options](#) for additional choices. Glenair offers the industry's widest selection of plating and material choices with no setup charge, no minimum order quantity and no schedule impact.
- For panel cutout dimensions, refer to [Panel Cutouts and Printed Circuit Board Footprints](#).
- Connectors are supplied with crimp contacts per M39029. Contacts are not installed. Refer to [HiPer-D Contacts and Crimp Tools](#) for contact part numbers, specifications, crimp tool information, and insertion/extraction tools.
- HiPer-D connectors meet the requirements of MIL-DTL-24308 and are intermateable with standard M24308-type D-Subminiature connectors with corresponding contact arrangements and type.
- Additional electrical, mechanical and environmental specifications are listed in [HiPer-D Product Specification](#).