

Field-mounted Two-wire Signal Conditioners 6-UNIT

MOUNTING ADAPTER

Functions & Features

- Mounting adapter used to install a Field-mount Two-wire Conditioner (6-UNIT)

MODEL: A-[1]

ORDERING INFORMATION

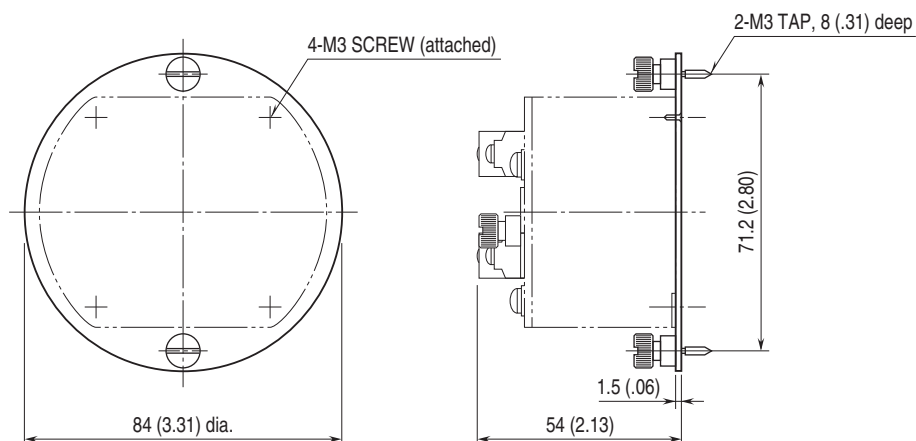
- Code number: A-[1]
- Specify a code from below for [1].
(e.g. A-01)

[1] TYPE

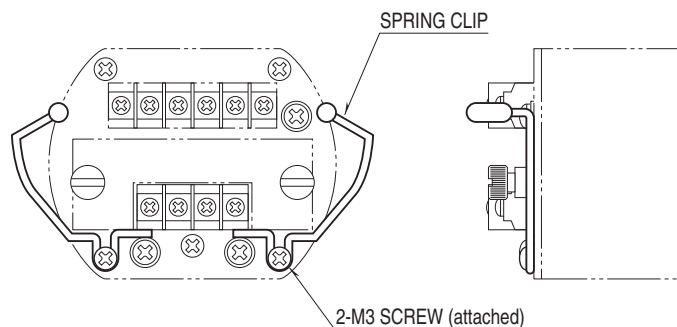
- 01: Surface mounting adapter plate
- 02: Spring clip
- 31: DIN rail mounting plate

EXTERNAL DIMENSIONS unit: mm (inch)

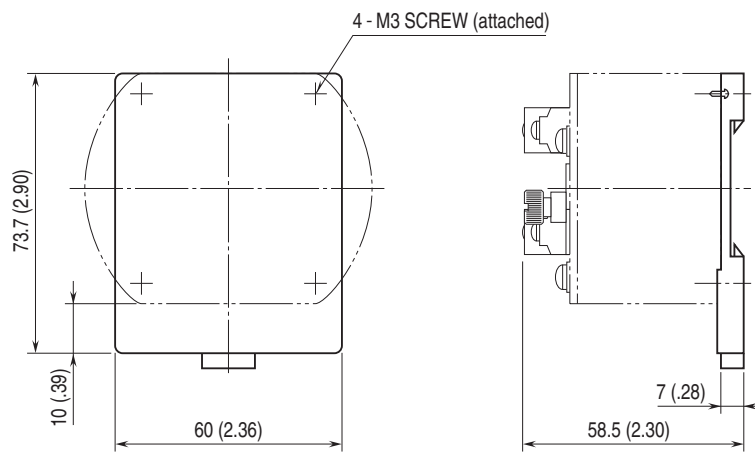
■ ADAPTER PLATE FOR SURFACE MOUNTING



■ SPRING CLIP FOR 3-INCH HUB



■ MOUNTING PLATE FOR DIN RAIL



Specifications are subject to change without notice.