

### CMOS Compatible Enable/Disable HS-1370/1380 Series

#### Description

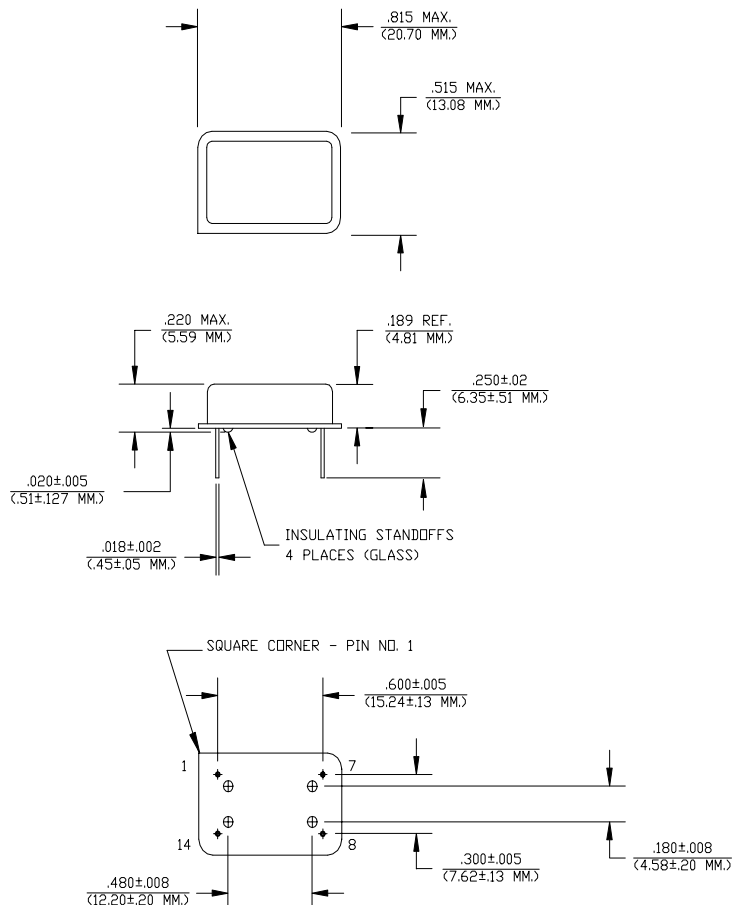
The **HS-1370 Series** of quartz crystal oscillators provide enable/disable 3-state CMOS compatible signals for bus connected systems. Supplying Pin 1 of the **HS-1370** units with a logic "0" enables the output on Pin 8. Alternately, supplying pin 1 of the **HS-1380** units with a logic "1" enables its Pin 8 output. In the disabled mode, Pin 8 presents a high impedance to the load. All units are resistance welded in an all metal package, offering RFI shielding, and are designed to survive standard wave soldering operations without damage. Insulated standoffs to enhance board cleaning are standard.

#### Features

- Wide frequency range— 0.5MHz to 36MHz
- User specified tolerance available
- Will withstand vapor phase temperatures of 253°C for 4 minutes maximum
- Space-saving alternative to discrete component oscillators
- High shock resistance, to 3000g
- All metal, resistance weld, hermetically sealed package
- Low Jitter
- High Q Crystal actively tuned oscillator circuit
- Power supply decoupling internal
- No internal PLL avoids cascading PLL problems
- Low power consumption
- Gold plated leads - Solder dipped leads available upon request
- RoHS Compliant, Lead Free Construction (unless solder dipped leads are supplied)

#### Electrical Connection

Pin	Connection
1	Enable Input
7	Grd & Case
8	Output
14	V <sub>DD</sub>



Dimensions are in inches and (MM)

HS-1370/-1380 Series Continued  
CMOS Compatible - Enable/Disable

Rev. S

## Operating Conditions and Output Characteristics

### Electrical Characteristics

Parameter	Symbol	Conditions	Min	Typical	Max
Frequency	-----	-----	0.5MHz	-----	36.0MHz
Duty Cycle	-----	@ $V_{DD}/2$	40/60%	-----	60/40%
Logic 0	$V_{OL}$	@ 600 $\mu$ A	-----	-----	0.2V
Logic 1	$V_{OH}$	@ 600 $\mu$ A	$V_{DD}-0.2V$	-----	-----
Rise & Fall Time	tr,tf	10-90%	-----	-----	5 ns
Tpz	-----	-----	-----	-----	25 ns
Enable/Disable					
Logic High Voltage	-----	-----	3.0V	2.5V	-----
Enable/Disable					
Logic Low Voltage	-----	-----	-----	-----	0.4V
Jitter, RMS <sup>(2)</sup>	-----	-----	-----	-----	8 psec
Frequency Stability <sup>(1)</sup>	dF/F	Overall conditions including: voltage, calibration, temp., 10 yr aging, shock, vibration	-100ppm	-----	+100ppm

### General Characteristics

Parameter	Symbol	Conditions	Min	Typical	Max
Supply Voltage	$V_{DD}$	-----	4.5V	5.0V	5.5V
Supply Current	$I_{DD}$	No Load	0.0 mA	-----	55 mA
Output current	$I_O$	-----	0.0 mA	-----	$\pm 16.0$ mA
Operating temperature	$T_A$	-----	0°C	-----	70°C
Storage temperature	$T_S$	-----	-55°C	-----	125°C
Power Dissipation	$P_D$	-----	-----	-----	303 mW
Lead temperature	$T_L$	Soldering, 10 sec.	-----	-----	300°C
Load	----	-----	-----	-----	15pf
Start-up time	$t_s$	-----	-----	2 ms	10 ms

### Environmental and Mechanical Characteristics

Mechanical Shock	Per MIL-STD-202, Method 213, Condition E
Thermal Shock	Per MIL-STD-833, Method 1011, Condition A
Vibration	0.060" double amplitude 10 Hz to 55 Hz, 35g's 55Hz to 2000 Hz
Soldering Condition	300°C for 10 seconds
Hermetic Seal	Leak rate less than $1 \times 10^{-8}$ atm.cc/sec of helium

#### Footnotes:

- Standard frequency stability ( $\pm 20, \pm 25, \pm 50$ ppm & others available)
- Jitter performance is frequency dependent. Please contact factory for full characterization. RMS jitter bandwidth of 12kHz to 20MHz.

Creating a Part Number	
<b>HS - A137X - FREQ</b>	
<b>Package Code</b>	<b>Tolerance/Performance</b>
HS Leaded 4 pin (14 pin)	0 $\pm 100$ ppm 0-70°C
SM Leaded 4 pin (14 pin) SMD	1 $\pm 50$ ppm 0-70°C
Gull Wing	7 $\pm 25$ ppm 0-70°C
<b>Input Voltage</b>	9 Customer Specific
Code Specification	A $\pm 20$ ppm 0-70°C
A 3.3V	B $\pm 50$ ppm -40 to +85°C
5V	C $\pm 100$ ppm -40 to +85°C

#### Test Load:

